

ASSEMBLY INSTRUCTIONS **ATLAS 4'6" BED**

IMPORTANT: READ THESE INSTRUCTIONS CAREFULLY BEFORE ATTEMPTING TO ASSEMBLE OR USE YOUR ATLAS 4'6" BED FRAME

PLEASE KEEP THESE INSTRUCTIONS FOR FUTURE REFERENCE

HEALTH & SAFETY

DO NOT jump on this bed frame
DO NOT use this bed frame if any parts are missing, damaged or worn
DO NOT use this bed frame unless all fixings are secured
Always use on a level, even surface

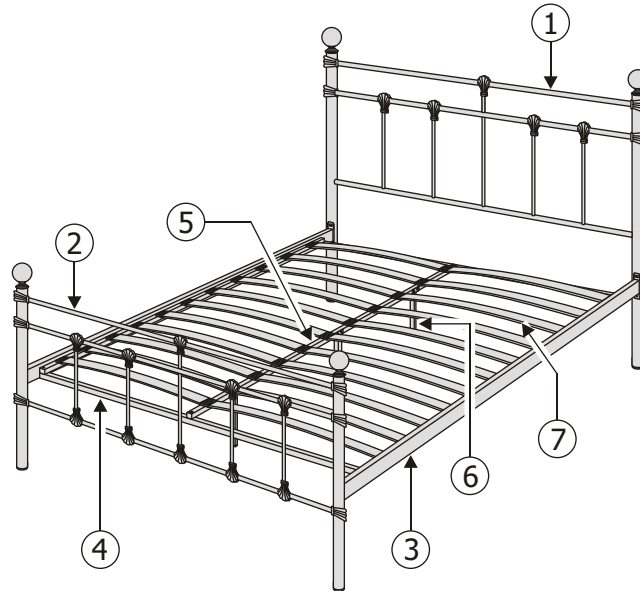
WARNING: If this bed is placed on a laminated floor you must place some protection under all legs to stop the bed frame from moving. If this is not adhered to there is no guarantee if the bed frame collapses

CARE & MAINTENANCE:

Periodically check all screws & fixings to ensure they are secure
DO NOT push the bed frame as this will damage the legs
Always lift the bed with two people to reposition
Keep any sharp objects away from the frame

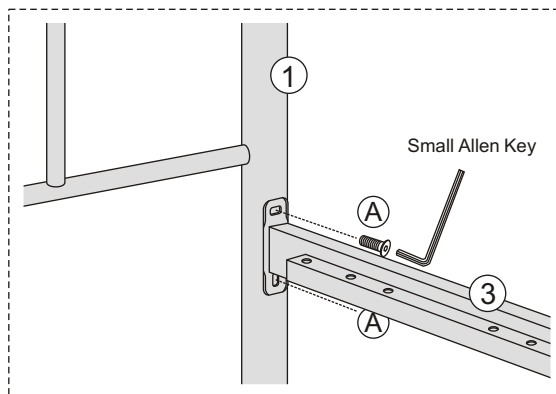


www.birlea.com



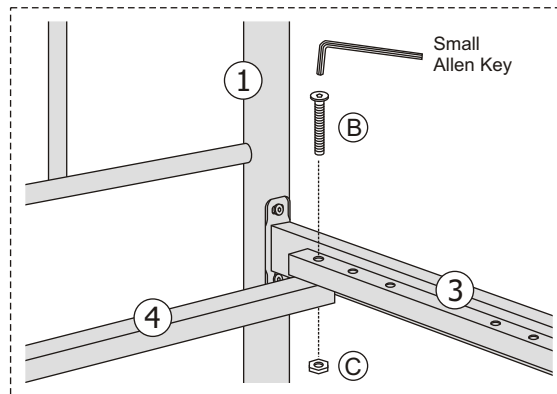
Part List			Hardware List		
Part	Description	Qty	Part	Description	Qty
01	Headend	01	A	M6 x 16mm JCBC Screw	08
02	Footend	01	B	M6 x 50mm JCBC Screw	04
03	Side Support	02	C	M6 Nut	10
04	Side Frame	02	D	M6 x 35mm JCBC Screw	06
05	Mid Support	01	E	Double Slat Cap	11
06	Base Leg	03	F	Single Slat Cap	22
07	Slat	22	G	Finial	04
**M4 Allen Key provided **M5 Allen Key provided			H	M8 x 50mm JCBC Screw	02
			I	M8 Nut	02

Step 1: Fix the Side Support (3) to the Headend (1) and Footend (2) using hardware part (A).
DO NOT use any power tools as this may damage the frame and will invalidate any claim.

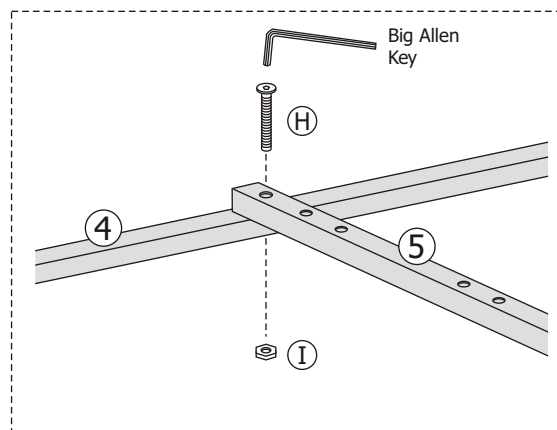


IMPORTANT
 Do not tightly secure the screw yet before assembling the Side Frame (Step 2)

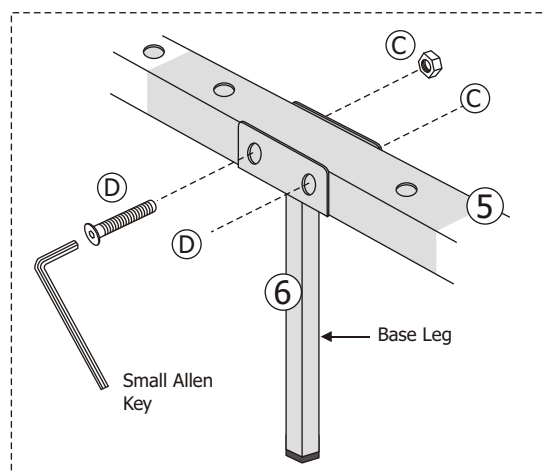
Step 2: Place the Side Frames (4) at the bottom of the Side Supports (3) and secure with hardware parts (B) and (C)
DO NOT use any power tools as this may damage the frame and will invalidate any claim.



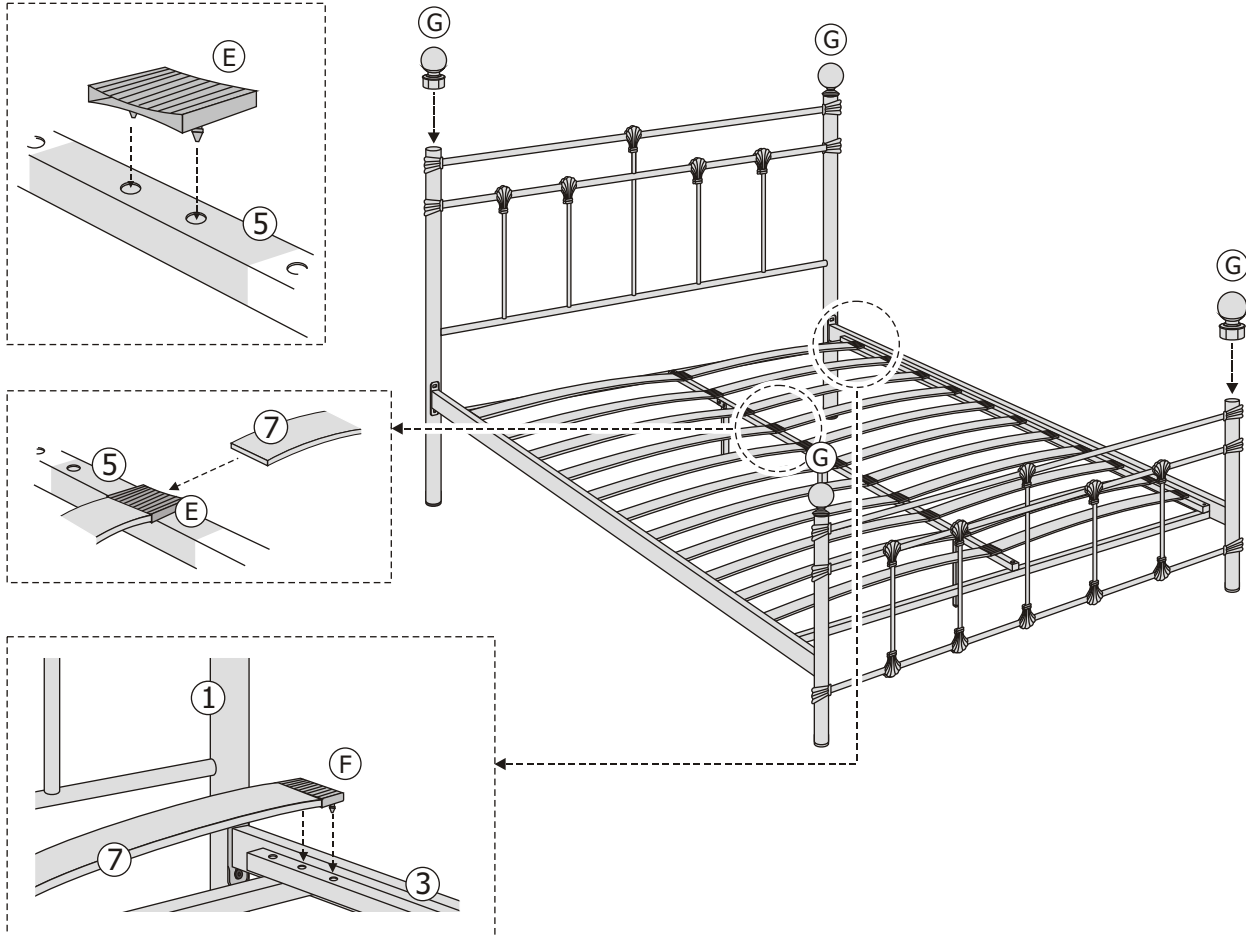
Step 3: Place the Mid Supports (5) on top both Side Frames (4) and secure using hardware parts (H) and (I)
DO NOT use any power tools as this may damage the frame and will invalidate any claim.



Step 4: Attach the Base Legs (6) to the Mid Supports (5) using hardware parts (C) and (D)
DO NOT use any power tools as this may damage the frame and will invalidate any claim.



Step 5: Place the Double Slat Caps into position on the Mid Supports (5) then place the Single Slat Caps onto each Slats (7). Firmly press into the Side Supports (3) then insert hardware part (G) to the Headend (1) and Footend (2) **DO NOT** use any power tools as this may damage the frame and will invalidate any claim.



For complete product information, images and dimension diagrams please visit www.birlea.com