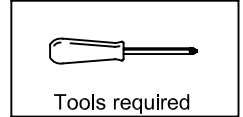


# Bistro Table



**Please read before assembling the product**



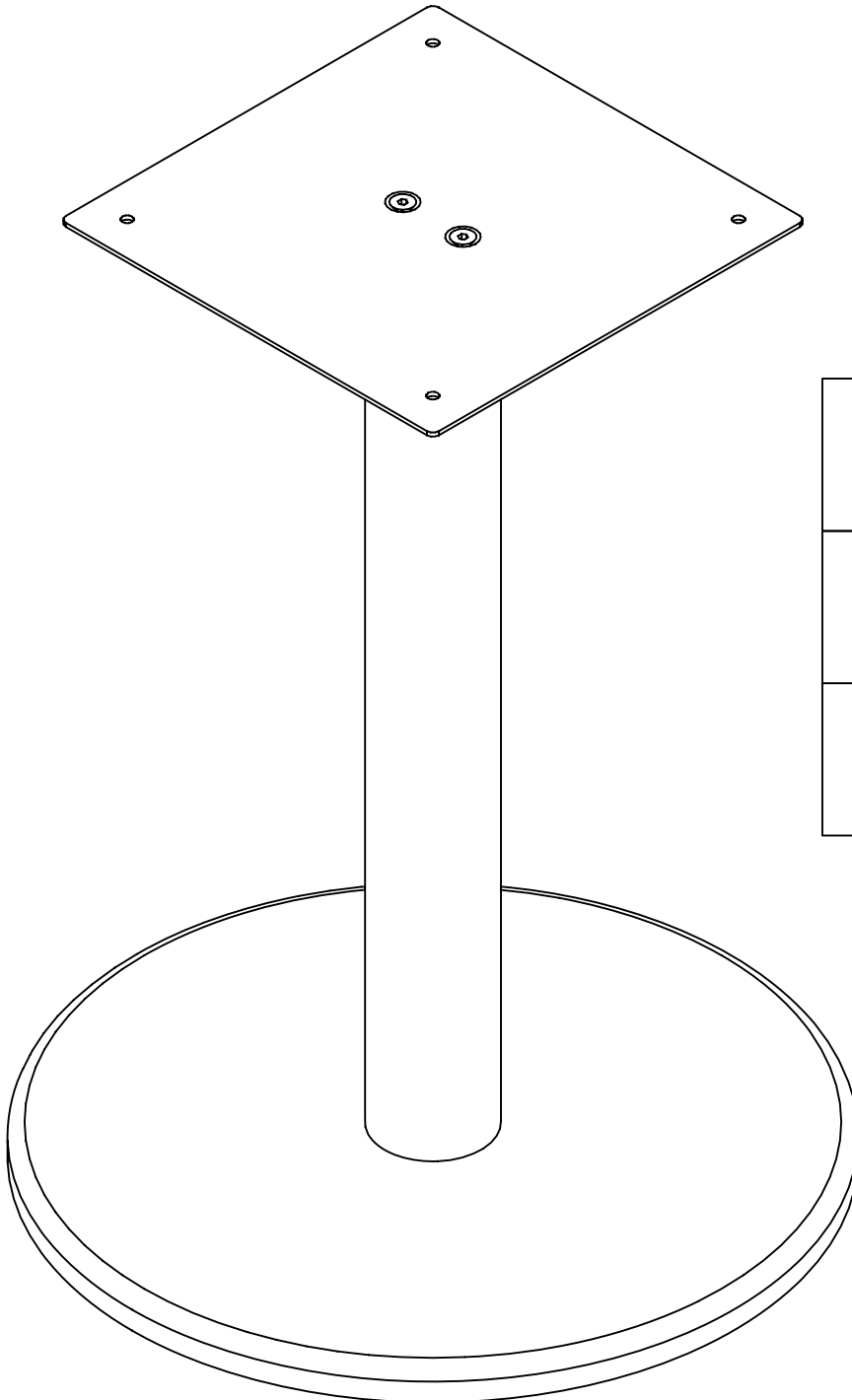
Carefully open packaging.  
 Check you have all the components shown on instructions sheets. Some products, instructions and fittings are packed in more than one box.  
 Handle Panels with care. Complete each stage before going to the next one.  
 Please keep packaging until assembly is complete. We hope that you are happy with the product.


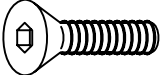
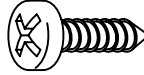


Please recycle packaging

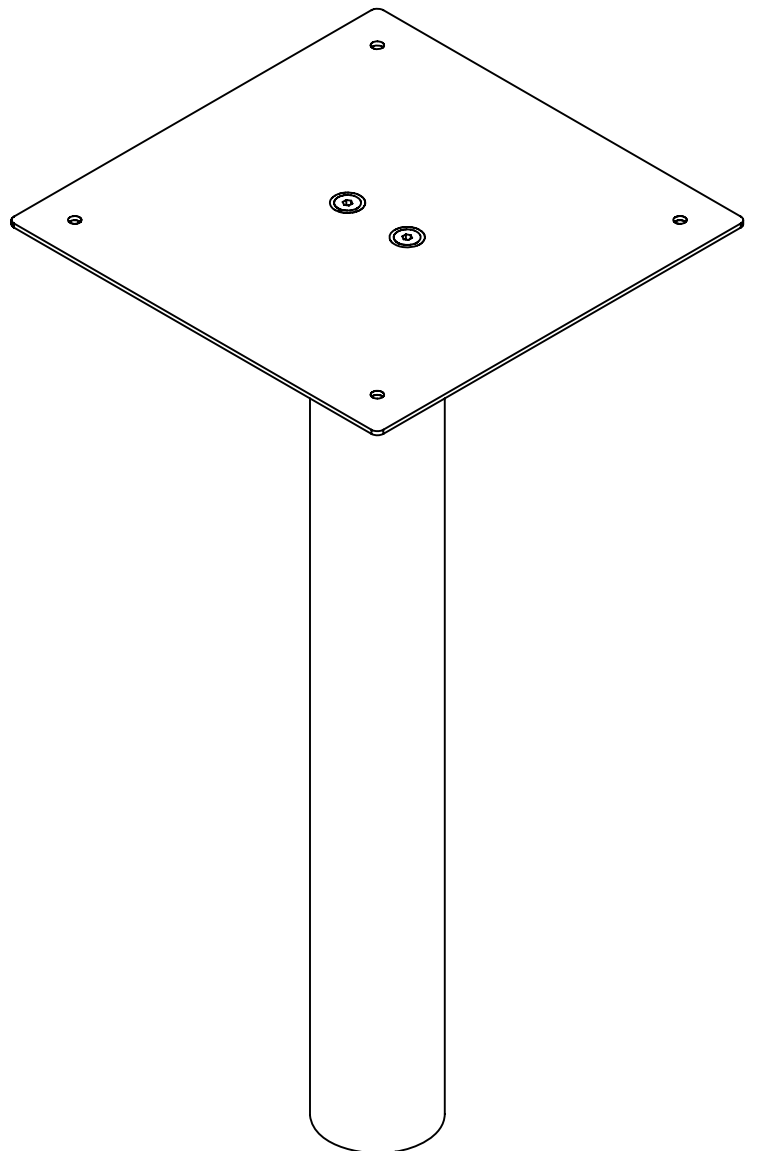
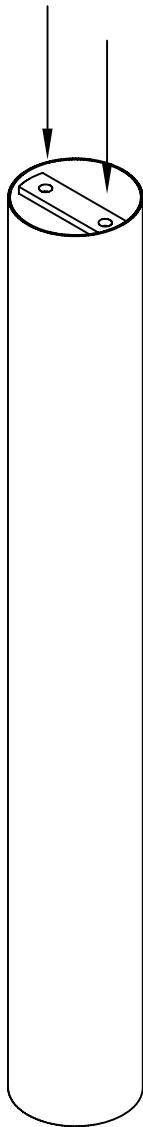
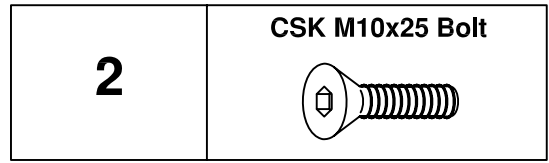
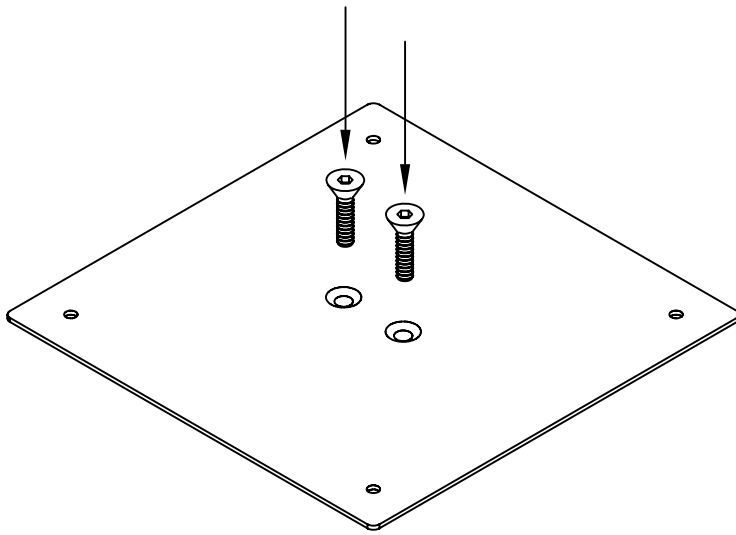


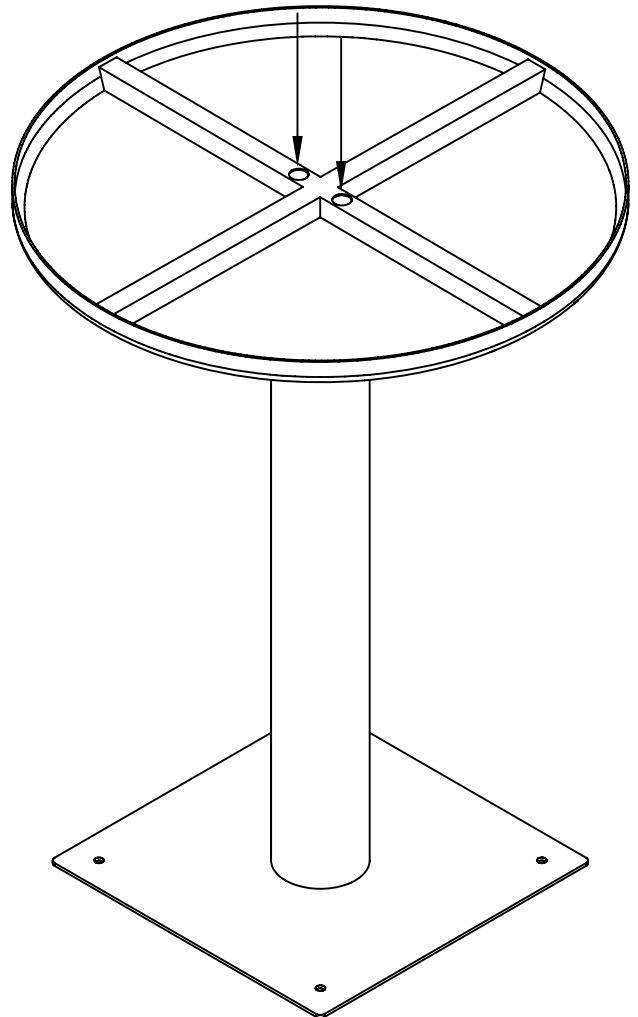
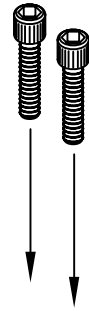
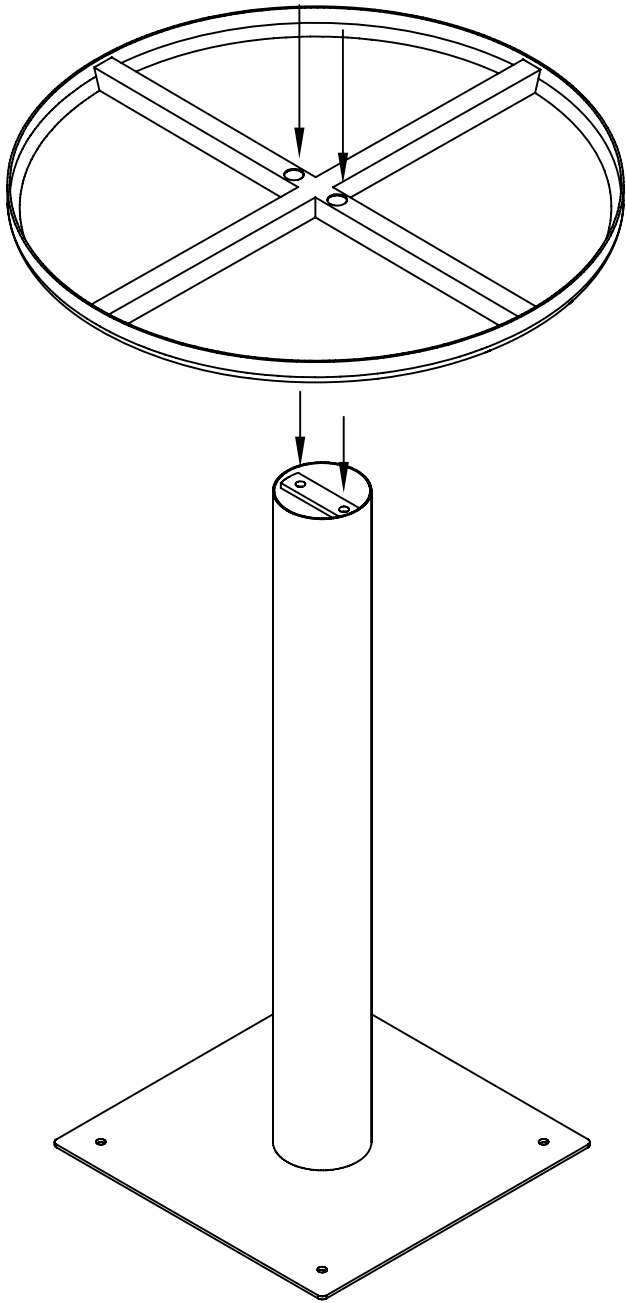
Keep fittings away from children




<b>2</b>	<b>Cap Head M10x25 Bolt</b> 
<b>2</b>	<b>CSK M10x25 Bolt</b> 
<b>4</b>	$\frac{3}{4}$ "x14 Screw 

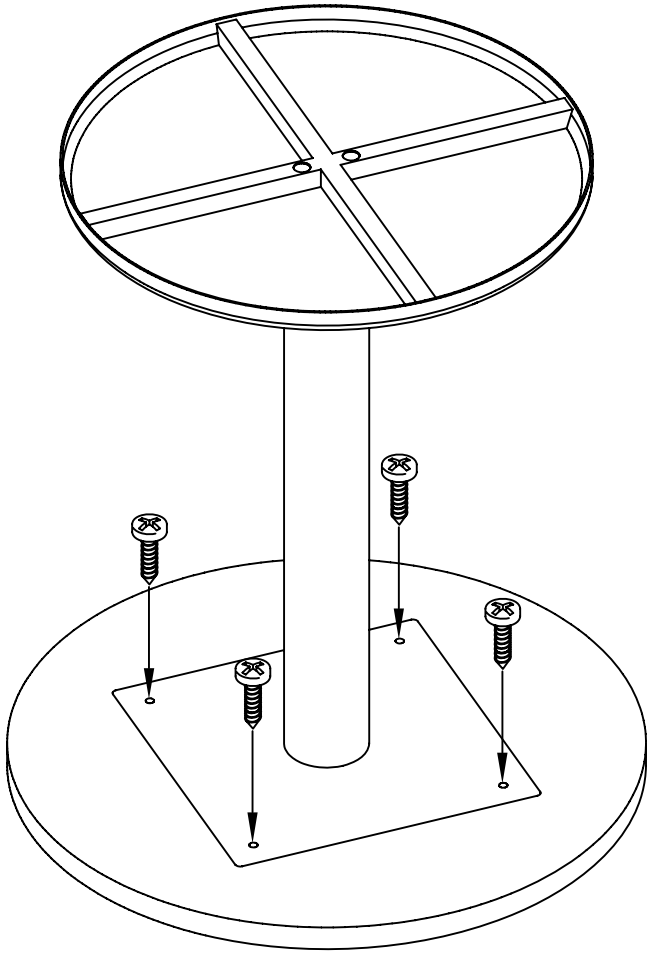
1

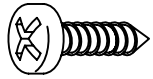


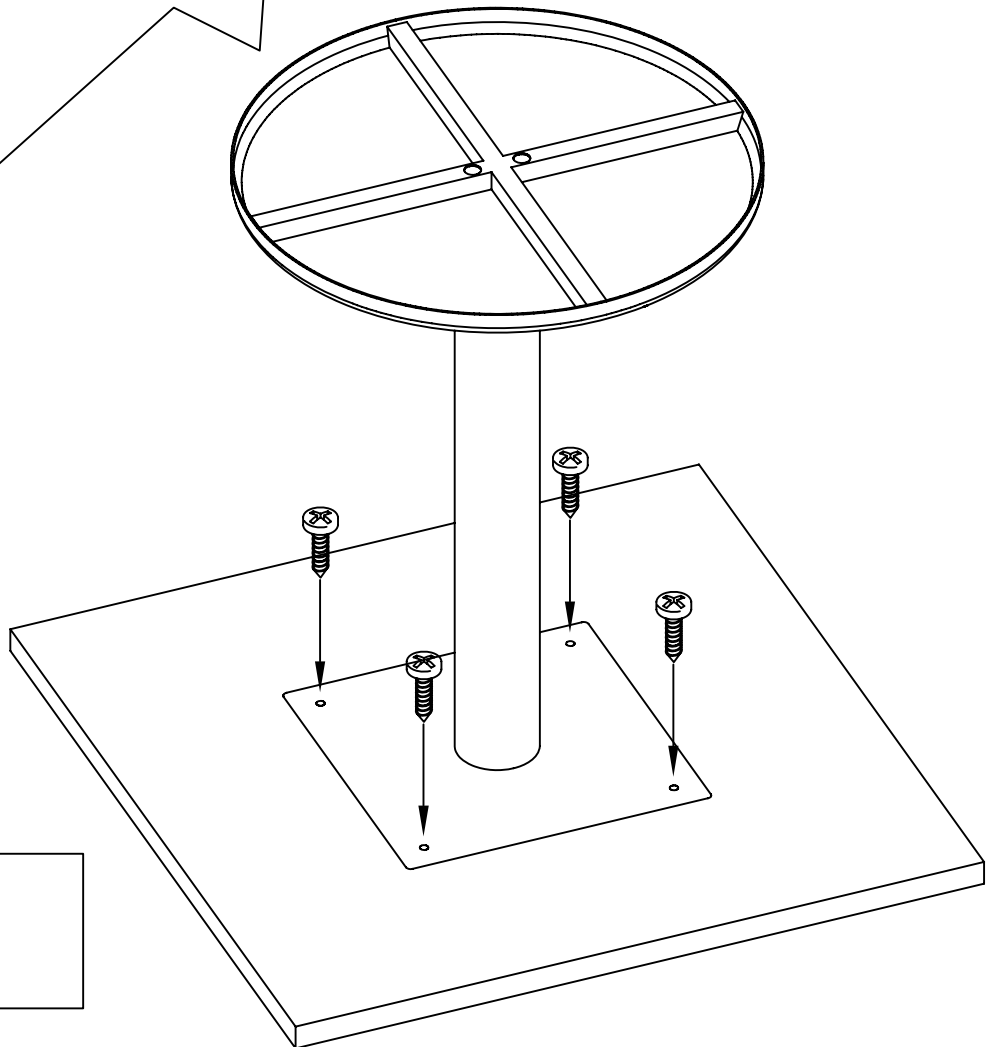


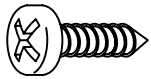
<p><b>2</b></p>	<p>Cap Head M10x25 Bolt</p> 
-----------------	---

3



<p>4</p>	<p><math>\frac{3}{4}</math>"x14 Screw</p> 
----------	---



<p>4</p>	<p><math>\frac{3}{4}</math>"x14 Screw</p> 
----------	---