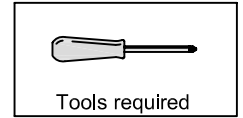


P2 and P3



Please read before assembling the product



Carefully open packaging.
 Check you have all the components shown on instructions sheets. Some products, instructions and fittings are packed in more than one box.
 Handle Panels with care. Complete each stage before going to the next one.
 Please keep packaging until assembly is complete. We hope that you are happy with the product.



Please recycle packaging



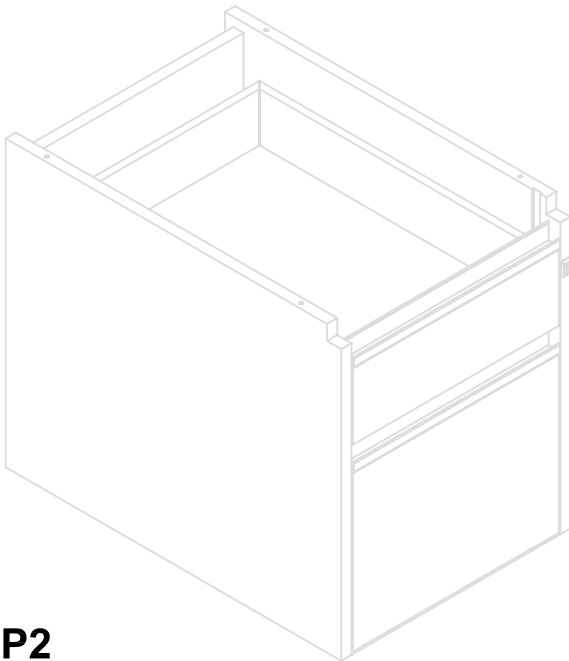
Keep fittings away from children



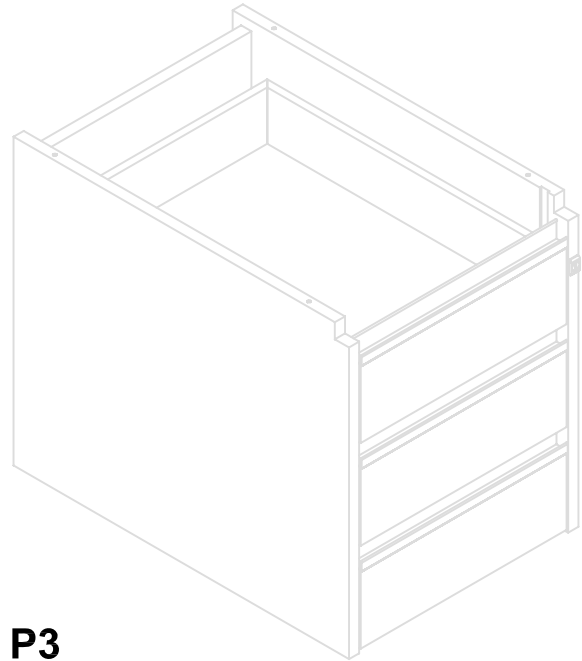
No power tools when inserting cam pins



No power tools when tightening cams

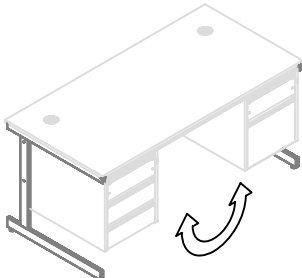


P2

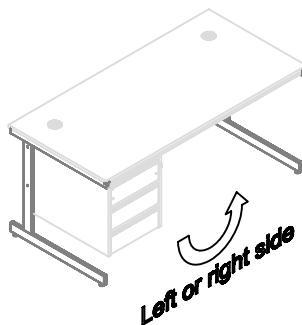


P3

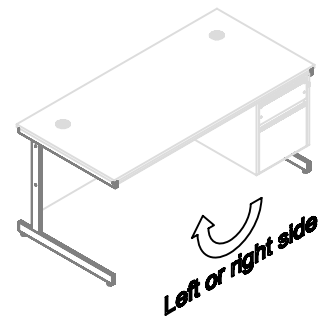
Options....



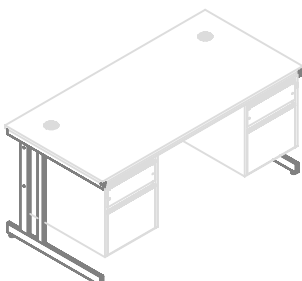
CL Leg option



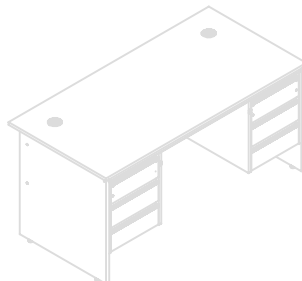
Left or right side



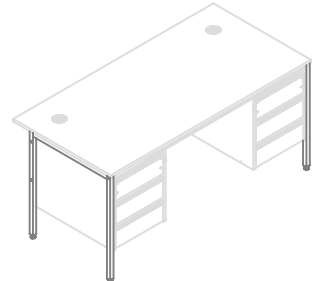
Left or right side



DCL Leg option



MSL Leg option



RL Leg option



Please check that you have all the fittings



4	Blum pin PIN01	
2	Cam 15N CAM03	

2	Mini fix pins 24mm PIN04	
---	-----------------------------	--

! fittings per P2 / P3

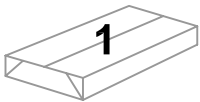
CL & DCL		
4	Ferrul 40x20mm with cut out FRL10	
4	Ferrul 60x20mm FRL02	

M3P M4 M6 M7 M4P M6P M7P		
4	Confirmat screw 70mm CFM02	
2	Connect Bolt M6x50mm BLT05	
4	! 2 M3P	1 1/2" x 8 screw SCR11
1	4mm Allen key ALK01	
2	Blum pin PIN01	
4	Adjustable Foot Dia 25mm FRL19	

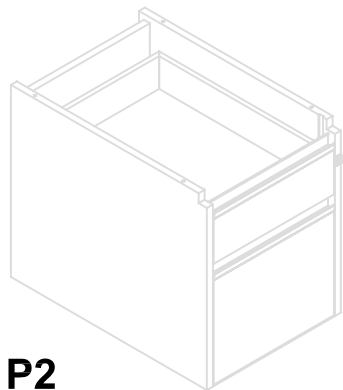
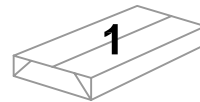
RL		
4	M8 x 25 x 25 Base Slotted FRL19	
4	1 "x 8 screw SCR10	



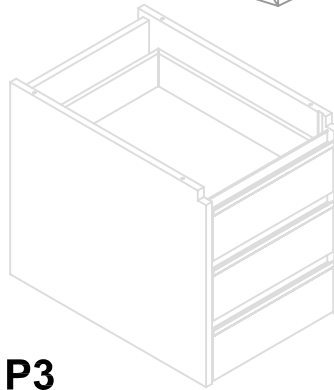
Please check that you have either...



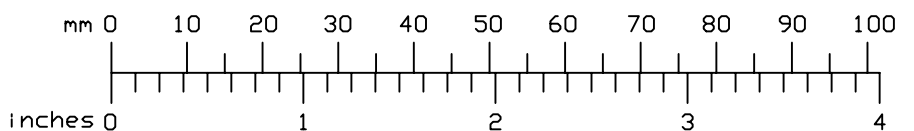
and / or



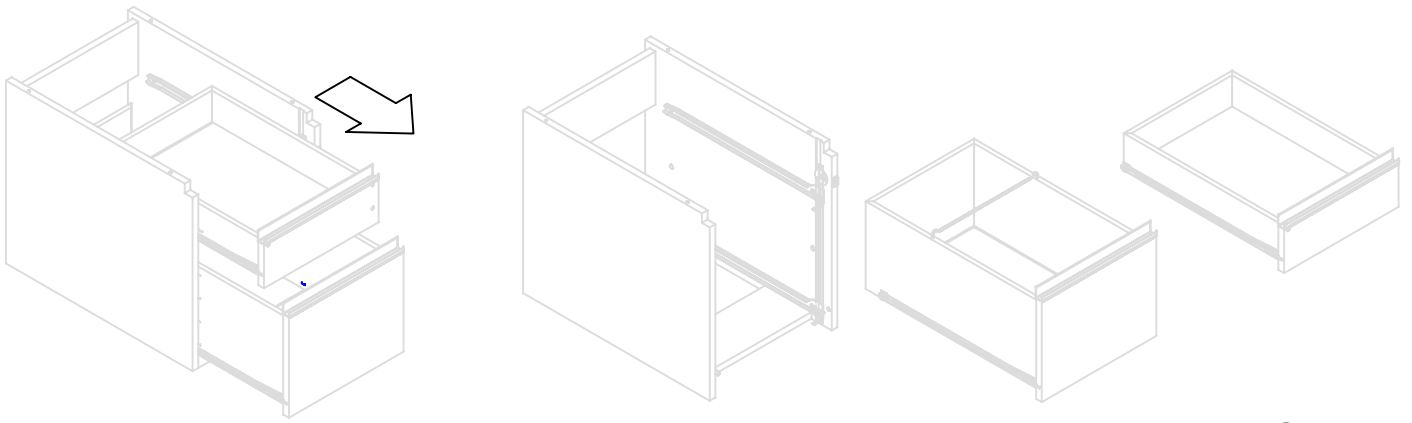
P2



P3

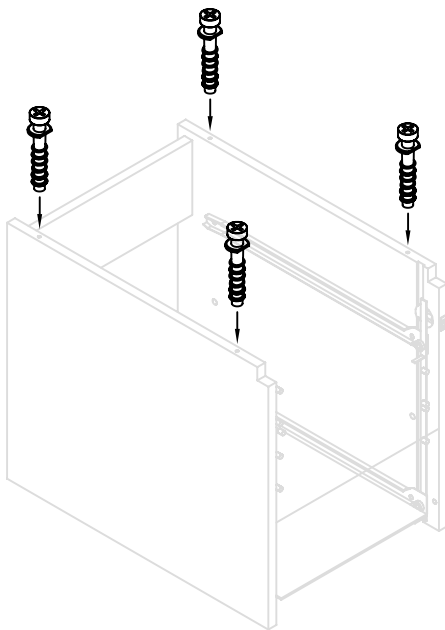
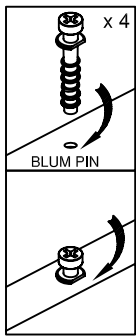


1

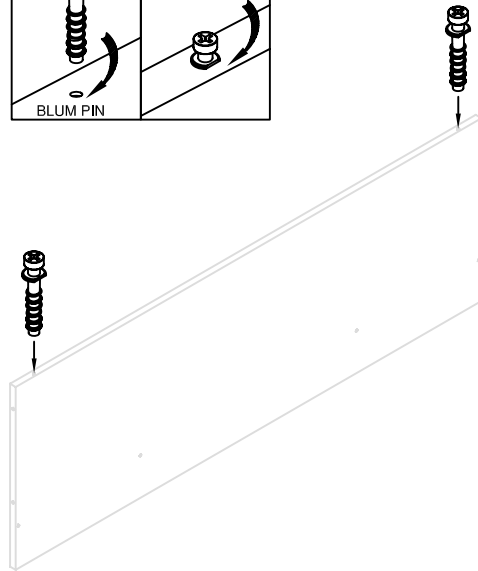
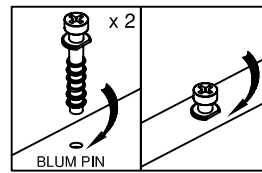


Please keep drawers for later

2

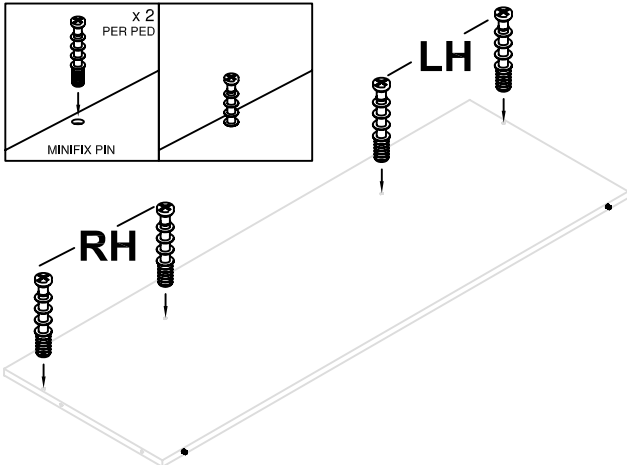
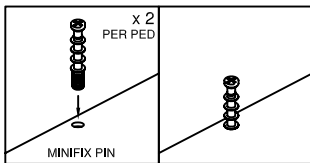


3

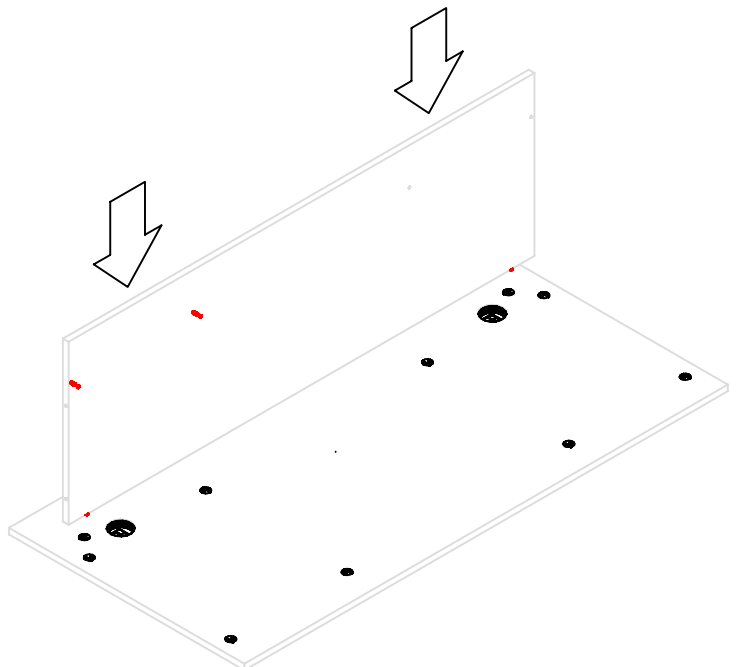


4

Pedestal (Left of Desk)



5

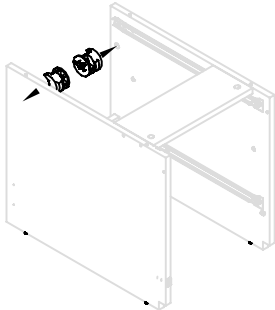


Pedestal (Right of Desk)

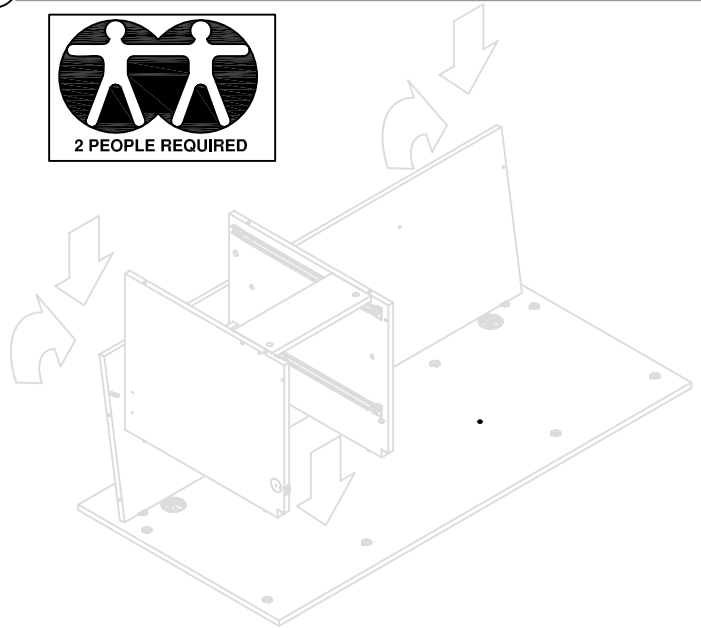


Please choose correct holes that match what side of desk you want the Pedestal on.

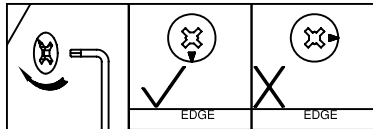
6



7

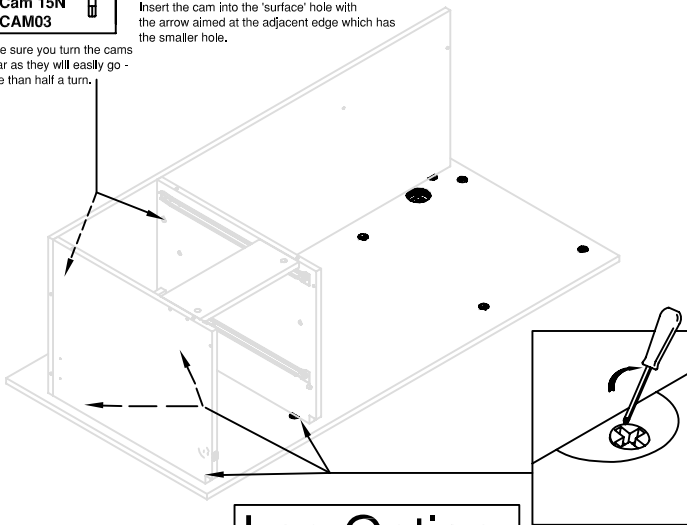


8



Insert the cam into the 'surface' hole with the arrow aimed at the adjacent edge which has the smaller hole.

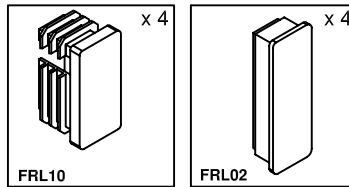
Make sure you turn the cams as far as they will easily go - more than half a turn.



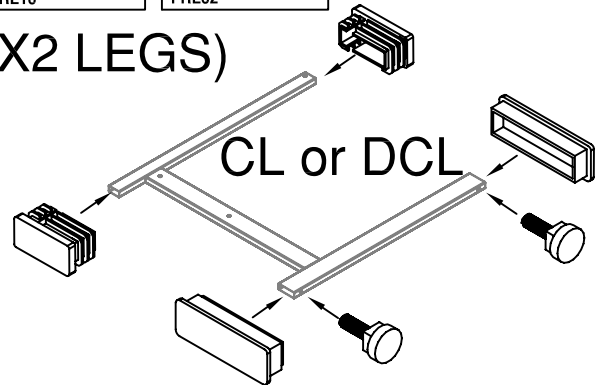
Leg Option

9

Leg Option



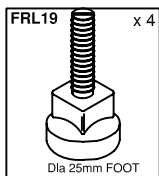
(X2 LEGS)



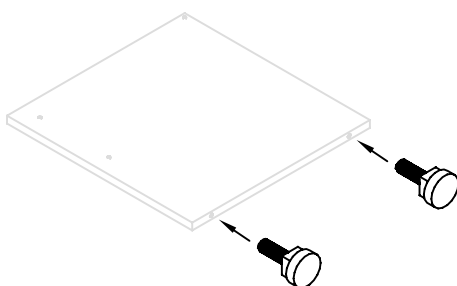
10

Leg Option

MSL



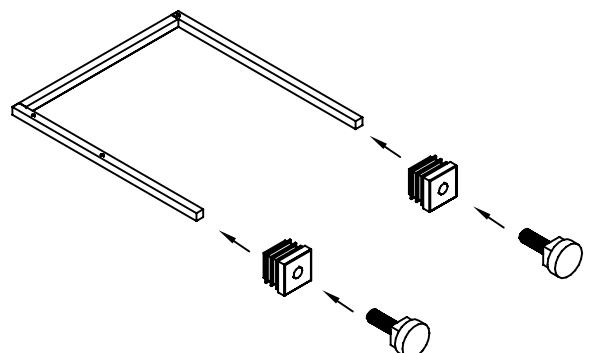
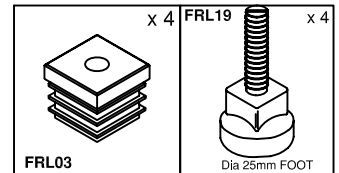
(X2 LEGS)



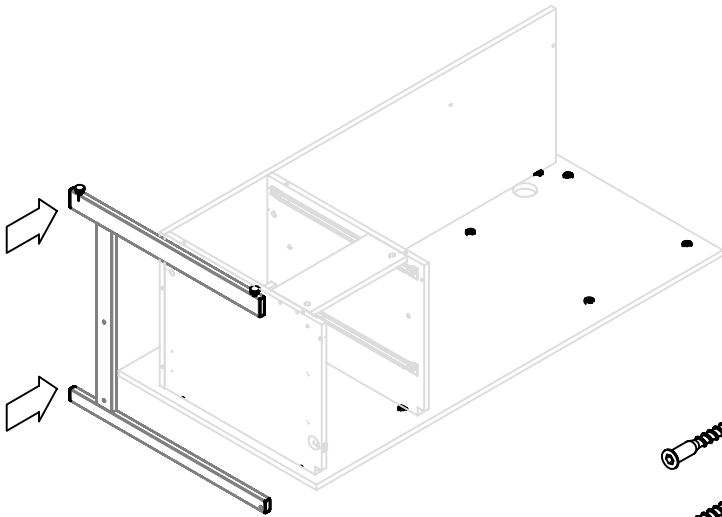
11

Leg Option

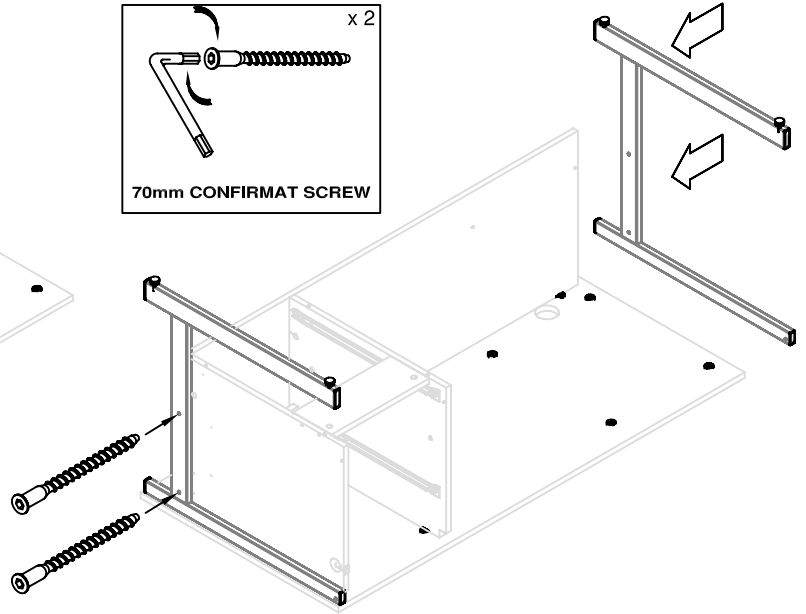
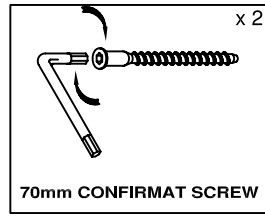
RL (X2 LEGS)



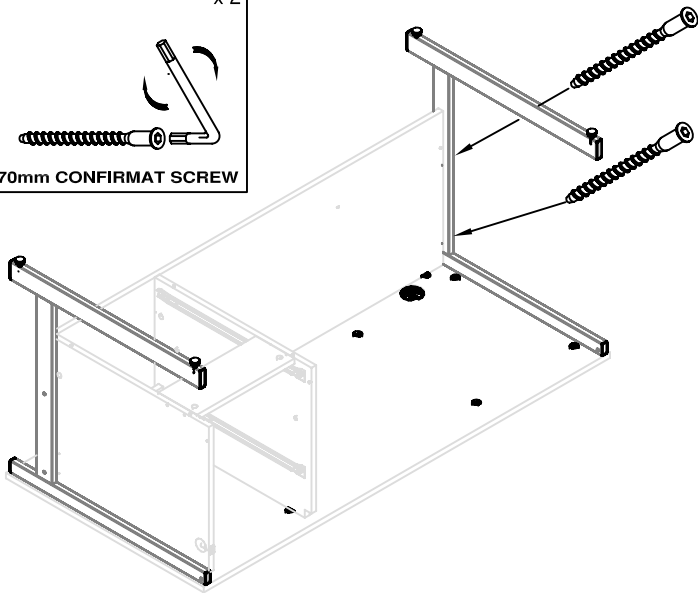
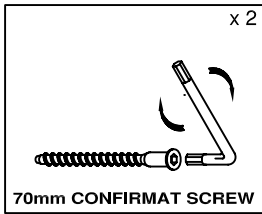
12



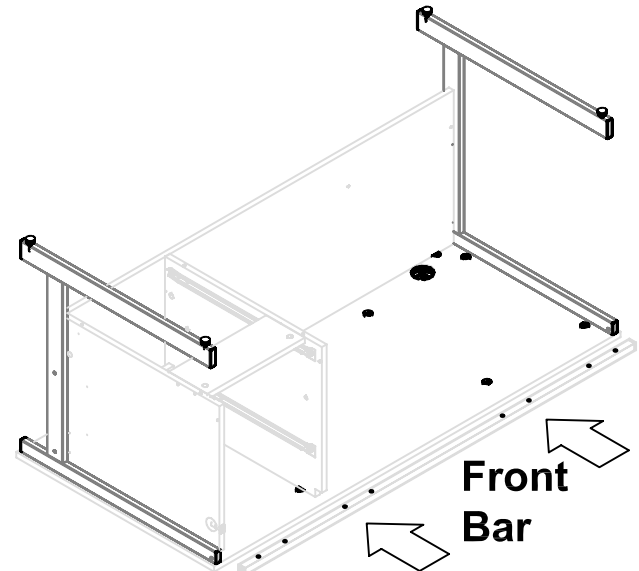
13



14

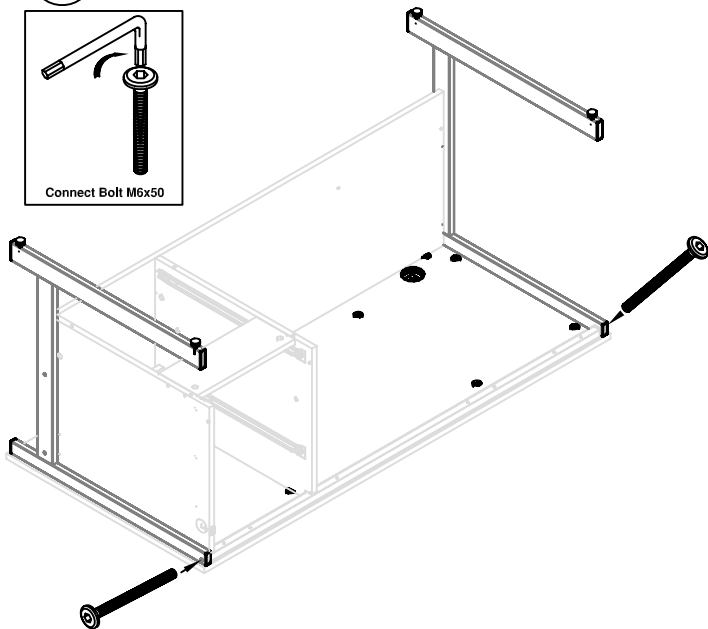
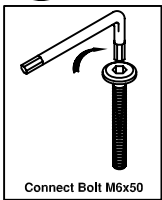


15

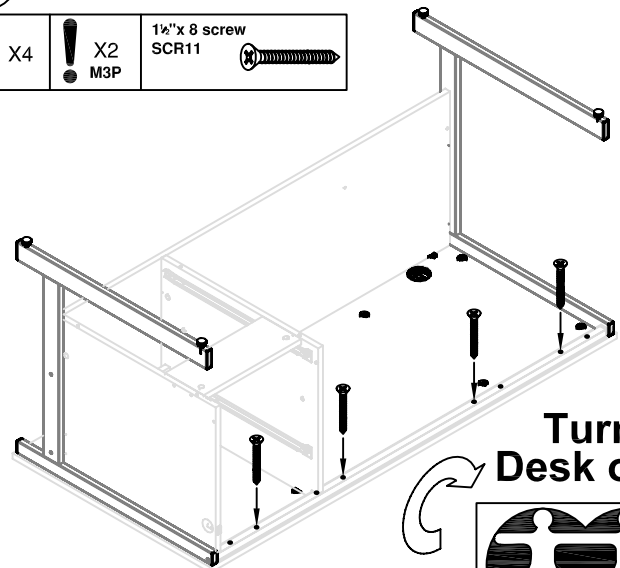
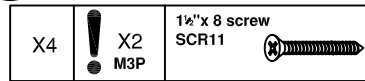


Front Bar
8 holes facing up

16



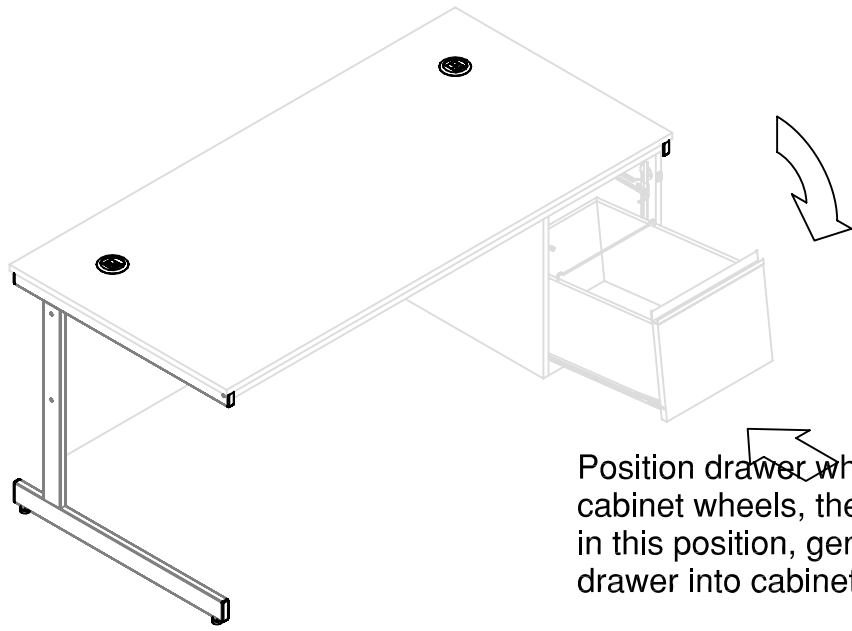
17



Turn Desk over

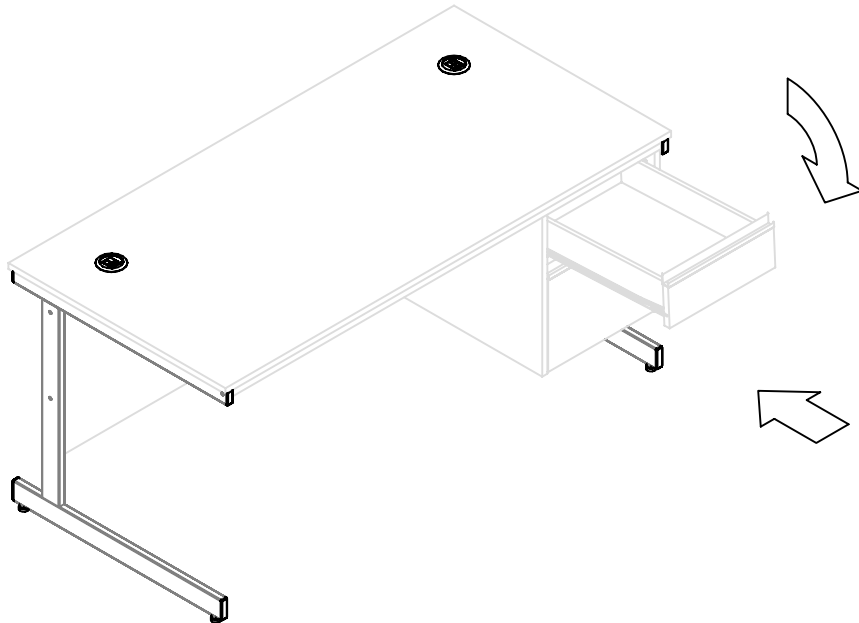


18



Position drawer wheels over the cabinet wheels, then lift drawer up in this position, gentle pushing drawer into cabinet.

19



20

