

8008 CHARLES 4 DOOR 2 DRAWER MIRRORED WARDROBE ASSEMBLY INSTRUCTIONS



IMPORTANT

PLEASE READ BEFORE YOU CONTINUE FURTHER

THE PRODUCT YOU HAVE PURCHASED WILL GIVE YOU MANY YEARS OF SERVICE IF YOU FOLLOW THE GUIDELINES FOR ITS SAFE ASSEMBLY AND PERIODIC MAINTENANCE AND CLEANING.

ASSEMBLE ON A SOFT CLEAN SURFACE.

DO NOT USE ANY TOOLS OTHER THAN THOSE SHOWN.

ANY SPANNERS OR ALLEN KEYS REQUIRED ARE INCLUDED WITH THE FITTINGS KIT.

DO NOT FOR ANY REASON USE A POWER TOOL TO ASSEMBLE THIS PRODUCT. ITS USE WILL INVALIDATE ANY CLAIM YOU MAY HAVE AND COULD MAKE THIS PRODUCT UNSAFE.

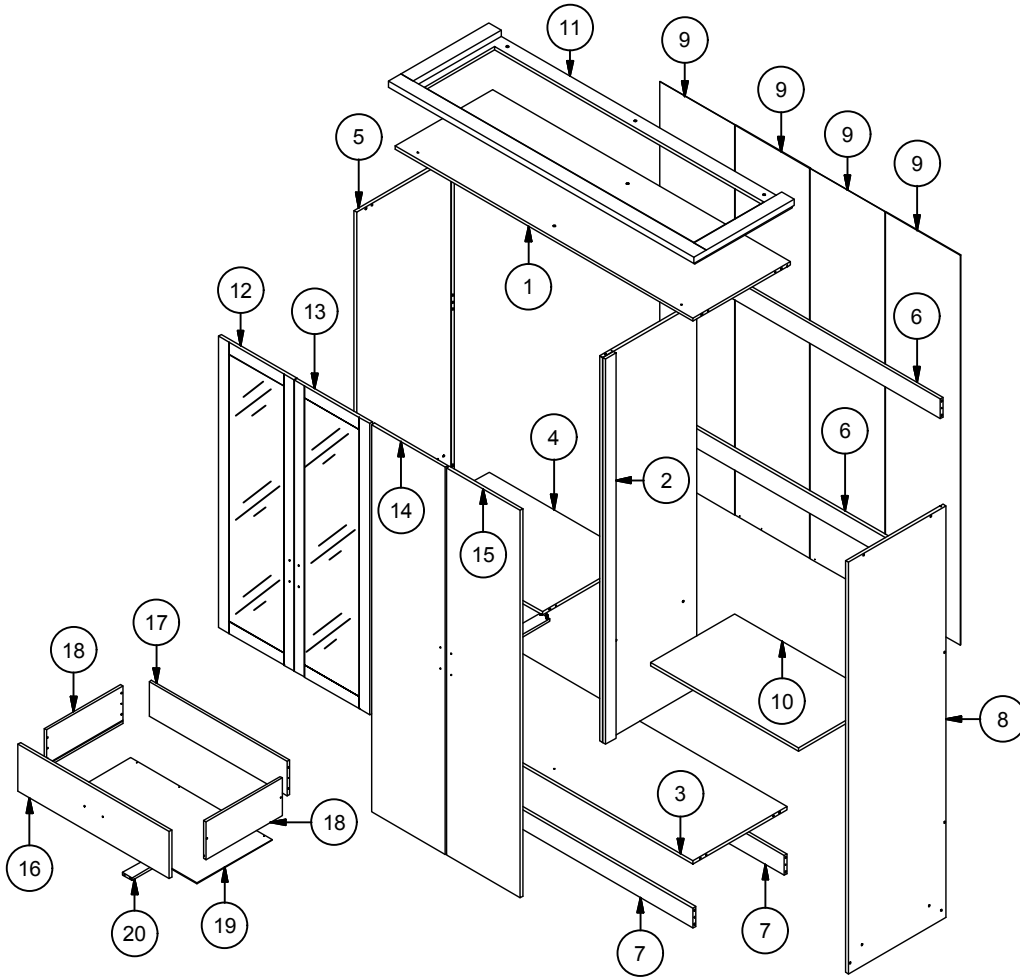
DEPENDING ON THE AMOUNT OF USE THIS PRODUCT RECEIVES IT MAY BE NECESSARY TO TIGHTEN UP THE FIXINGS FROM TIME TO TIME. THIS IS COMPLETELY NORMAL FOR ANY FLAT PACK FURNITURE. DO NOT OVERTIGHTEN FIXING.

FOR CLEANING, YOU MAY USE A DAMP CLOTH (NOT WET) DO NOT USE POLISH, DETERGENT OR CHEMICAL CLEANERS.

THE SURFACE OF THIS ITEM IS NOT HEAT RESISTANT. ALWAYS USE A PLACE MAT UNDER HOT OR COLD ITEM TO PREVENT MARKING.

PARTS LIST

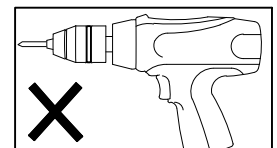
PLEASE CHECK THAT YOU HAVE ALL PARTS LISTED BEFORE YOU START ASSEMBLING. IF YOU DO FIND THAT SOMETHING IS MISSING , DO NOT CONTINUE ASSEMBLY , PLEASE CONTACT YOUR SUPPLIER IMMEDIATELY.




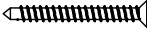

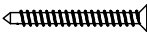

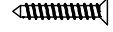
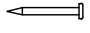

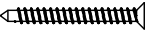
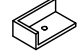
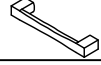


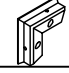

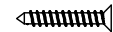





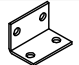



PARTS LIST

1	TOP PANEL	1 PC
2	CENTER PANEL	1 PC
3	BASE PANEL	1 PC
4	MIDDLE SHELF	1 PC
5	LEFT SIDE PANEL	1 PC
6	BACK CROSSBAR	2 PCS
7	BASE APRON	2 PCS
8	RIGHT SIDE PANEL	1 PC
9	BACK PANEL	4 PCS
10	SHELF PANEL	1 PC
11	TOP FRAME	1 PC
12	DOOR WITH MIRROR 1	1 PC
13	DOOR WITH MIRROR 2	1 PC
14	DOOR PANEL 1	1 PC
15	DOOR PANEL 2	1 PC
16	DRAWER FRONT	2 PCS
17	DRAWER BACK	2 PCS
18	DRAWER SIDE	4 PCS
19	DRAWER BASE	2 PCS
20	DRAWER BOTTOM SUPPORT RAIL	2 PCS

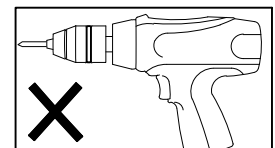
THE USE OF POWER TOOLS TO ASSEMBLE THIS PRODUCT WILL INVALIDATE ANY CLAIM AND MAY DAMAGE THIS PRODUCT MAKING IT UNSAFE.



HARDWARE LIST

A		DOWEL 6 x 30MM	54 PCS	P		HANDLE SCREW 30MM	8 PCS
B		BOLT M6 x 50MM	20 PCS	Q		HANDLE SCREW 45MM	4 PCS
C		SCREW 3.5 x 16MM	66 PCS	R		SCREW 4 x 25MM	7 PCS
D		TACK	30 PCS	S		SCREW 3.5 x 12MM	24 PCS
E		SCREW 4 x 38MM	8 PCS	T		PVC LEG	2 SETS
F		HANDLE	6 PCS	U		PVC LEG	2 PCS
G		TAPPING SCREW 8 x 12MM	24 PCS	V		EDGE STOPPER	2 PCS
H		HANGING RAIL SUPPORT	4 PCS	W		SCREW 4 x 50MM	4 PCS
I		HANGING RAIL	2 PCS	X		ALLEN KEY	1 PC
J		PLASTIC H STRIP	3 PCS	Y		M4 x 30MM	4 PCS
K		SHELF SUPPORT	4 PCS				
L		L- BRACKET	6 PCS				
M		HINGES	12 PCS				
N		DRAWER RUNNER A	4 PCS				
O		DRAWER RUNNER B	4 PCS				

THE USE OF POWER TOOLS TO ASSEMBLE THIS PRODUCT WILL INVALIDATE ANY CLAIM AND MAY DAMAGE THIS PRODUCT MAKING IT UNSAFE.

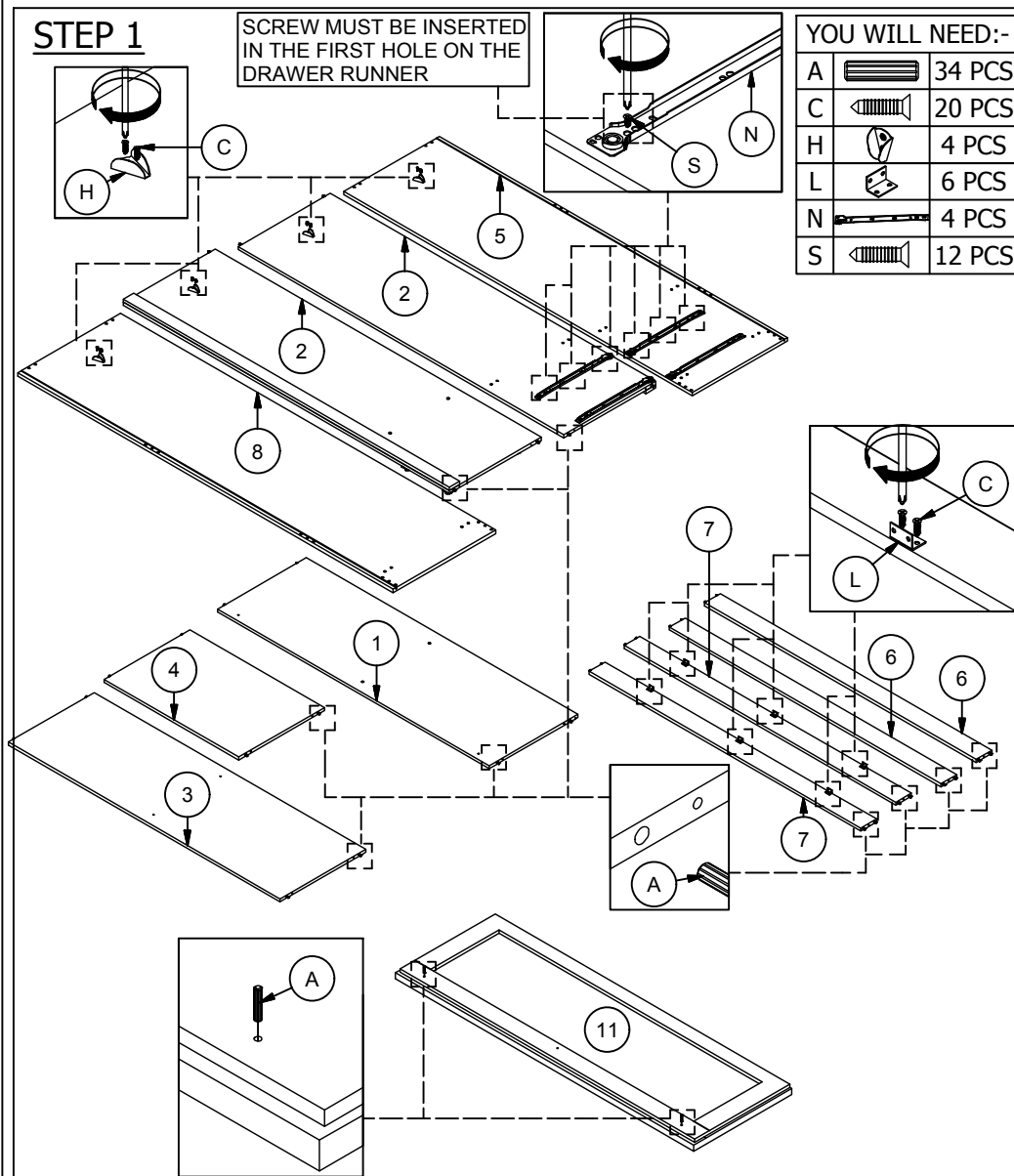


STEP 1

SCREW MUST BE INSERTED IN THE FIRST HOLE ON THE DRAWER RUNNER

YOU WILL NEED:-

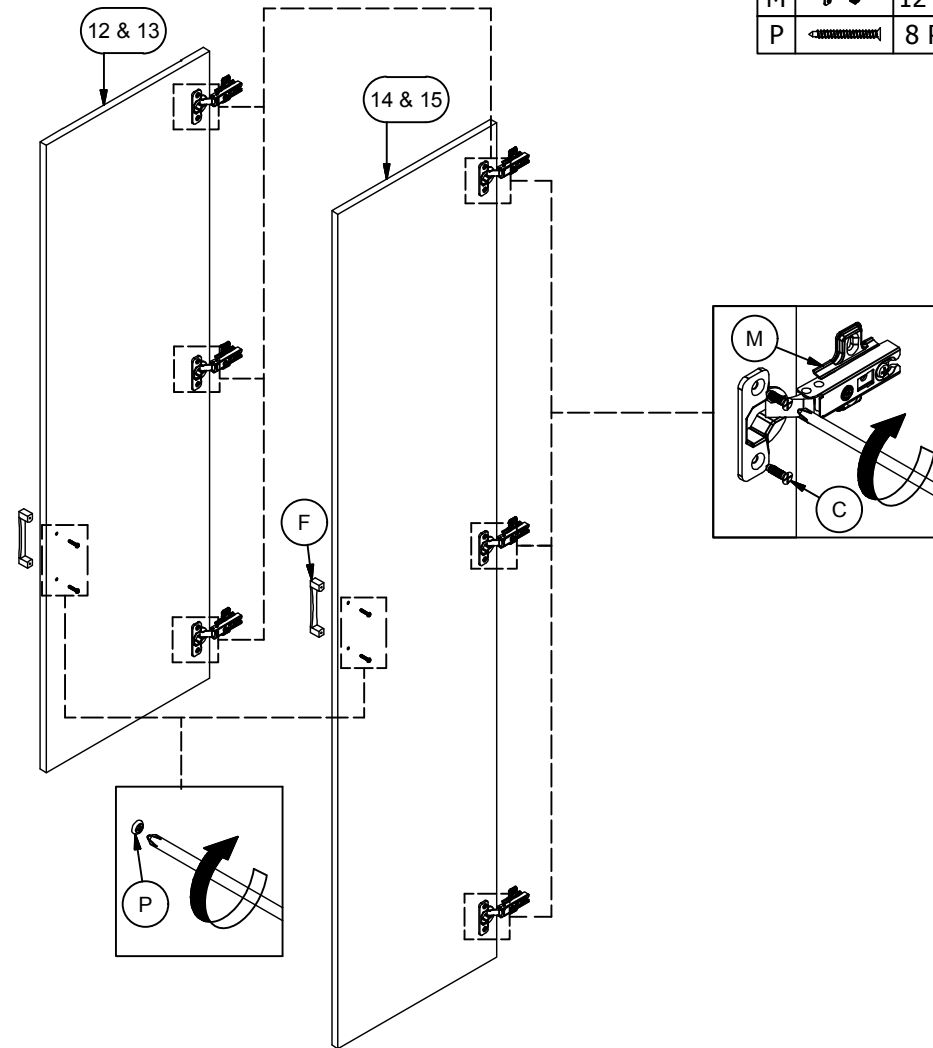
A		34 PCS
C		20 PCS
H		4 PCS
L		6 PCS
N		4 PCS
S		12 PCS



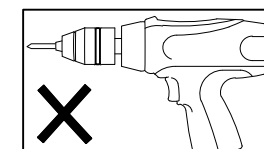
STEP 2

YOU WILL NEED:-

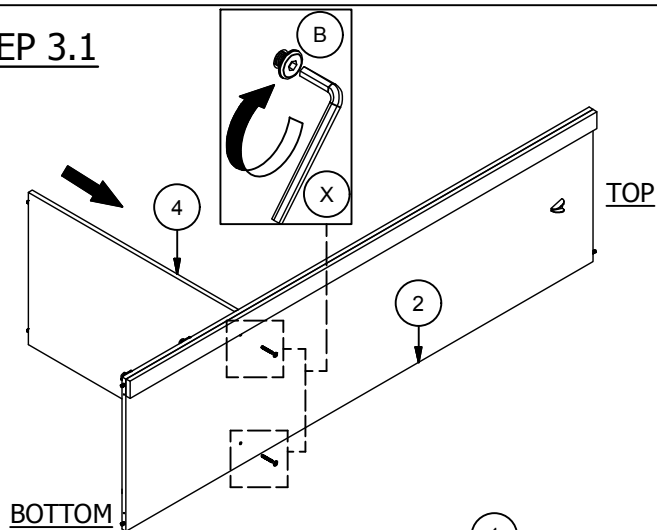
C		24 PCS
F		4 PCS
M		12 PCS
P		8 PCS



THE USE OF POWER TOOLS TO ASSEMBLE THIS PRODUCT WILL INVALIDATE ANY CLAIM AND MAY DAMAGE THIS PRODUCT MAKING IT UNSAFE.

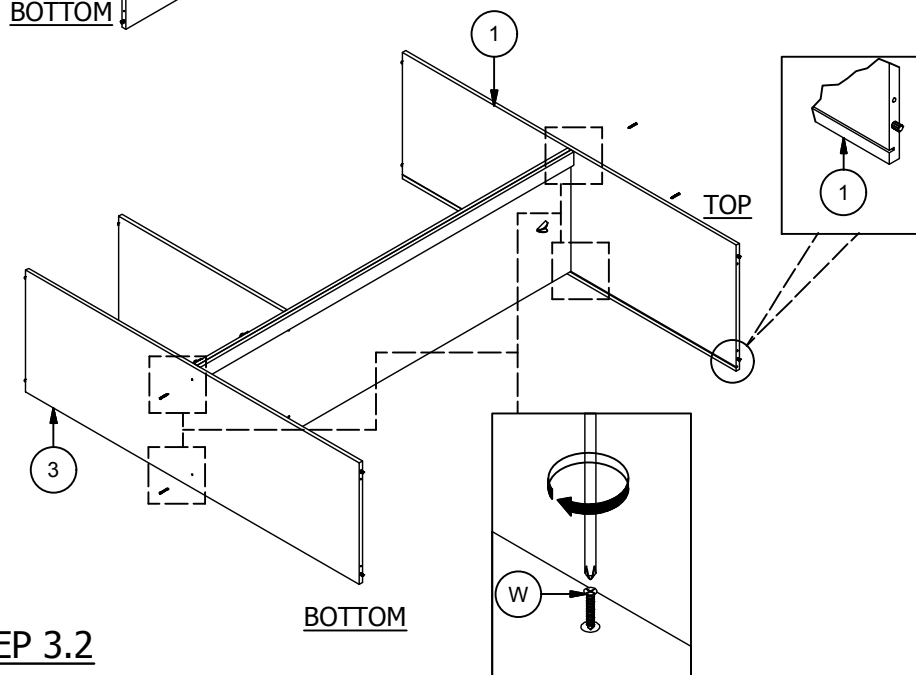


STEP 3.1

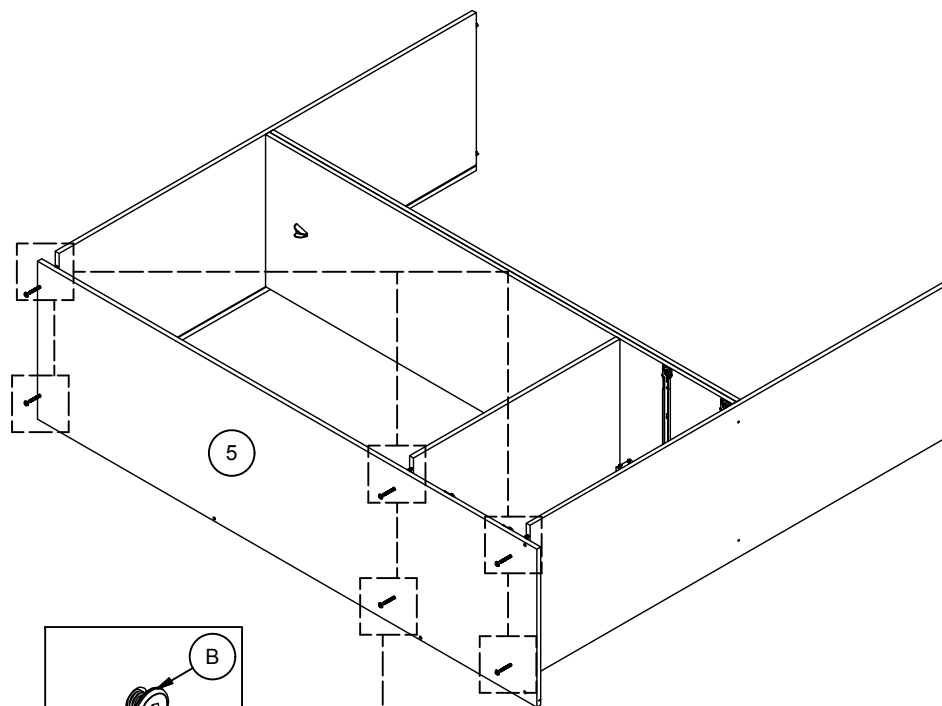


YOU WILL NEED:-		
B		2 PCS
W		4 PCS
X		1 PC

STEP 3.2



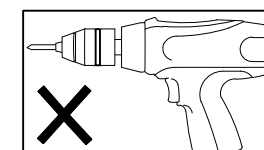
STEP 4



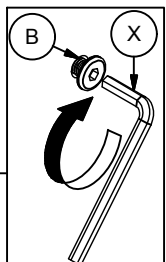
YOU WILL NEED:-		
B		6 PCS
X		1 PC

ONCE PANEL 5 IS ATTACHED
PLEASE TURN WARDROBE ONTO ITS FRONT.

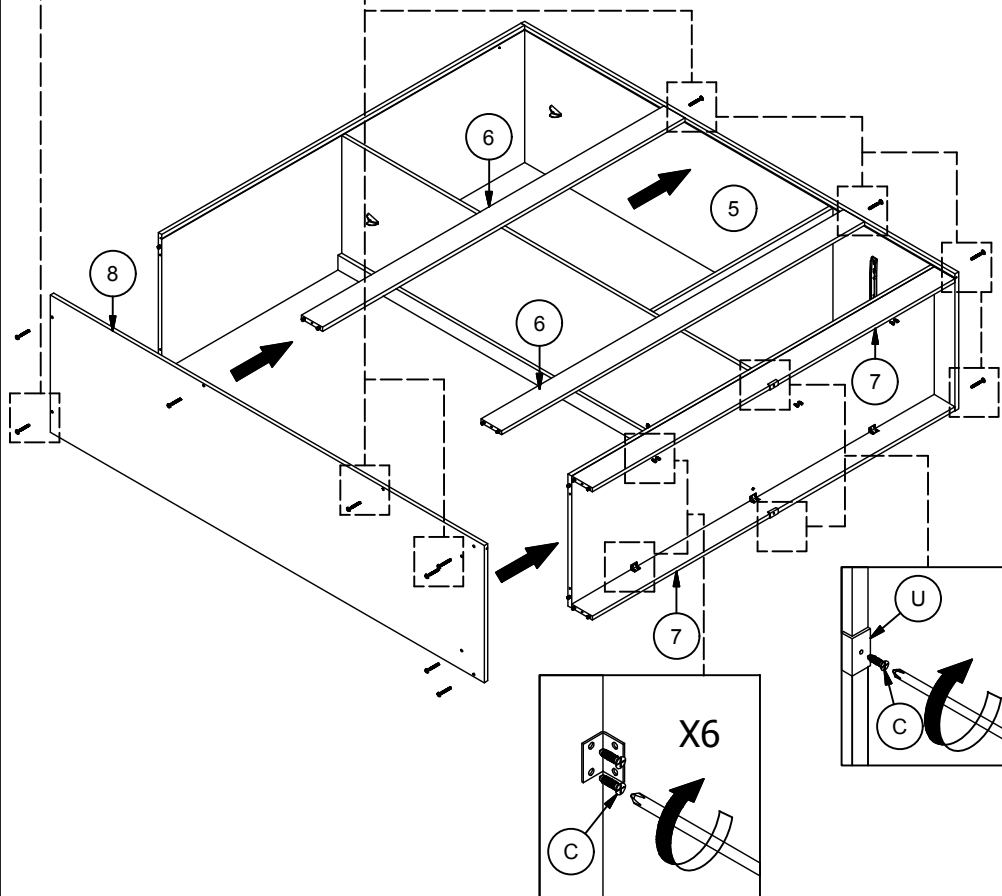
THE USE OF POWER TOOLS TO ASSEMBLE THIS PRODUCT WILL INVALIDATE ANY CLAIM AND MAY DAMAGE THIS PRODUCT MAKING IT UNSAFE.



STEP 5

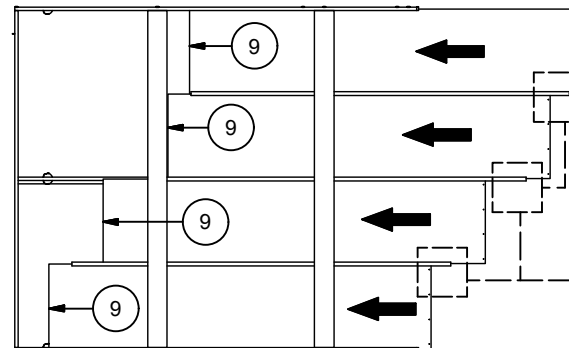


YOU WILL NEED:-		
B		12 PCS
C		14 PCS
U		2 PCS
X		1 PC

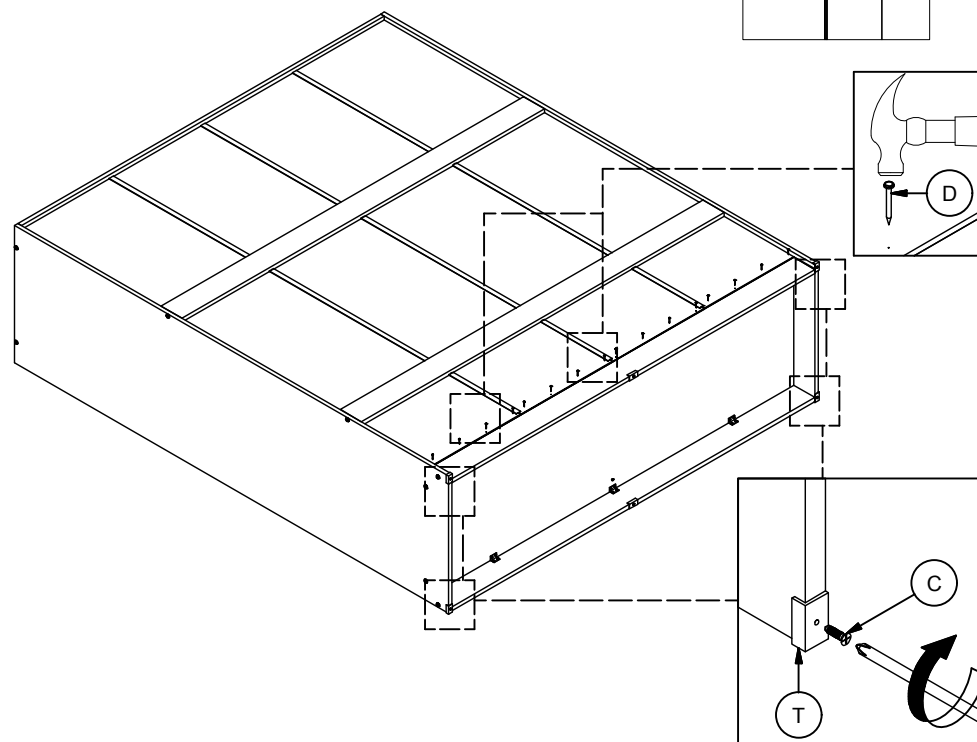
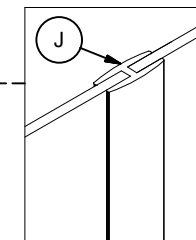


STEP 6

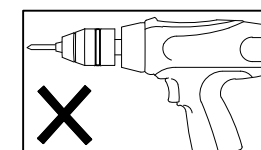
YOU WILL NEED:-		
C		4 PCS
D		16 PCS
J		3 PCS
T		2 SETS




ASSEMBLE BACK PANELS

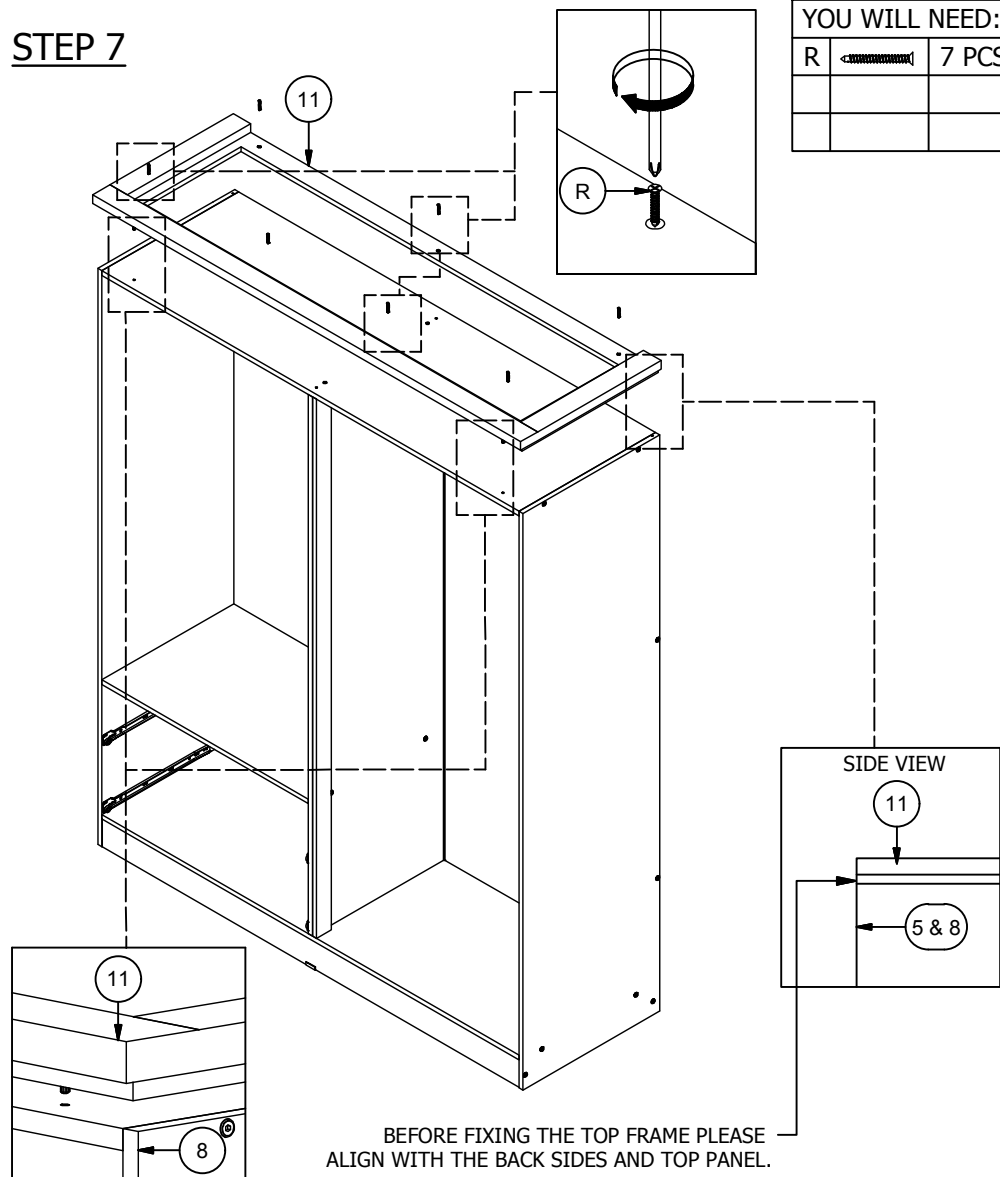


THE USE OF POWER TOOLS TO ASSEMBLE THIS PRODUCT WILL INVALIDATE ANY CLAIM AND MAY DAMAGE THIS PRODUCT MAKING IT UNSAFE.





STEP 7

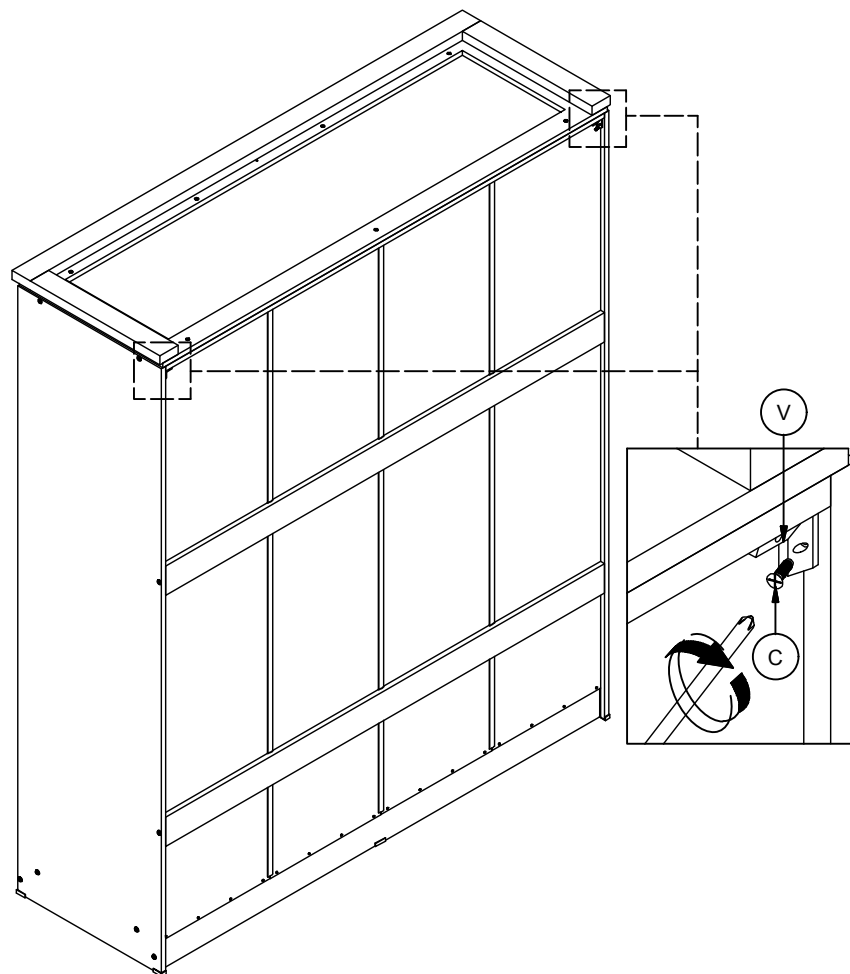
YOU WILL NEED:-		
R		7 PCS



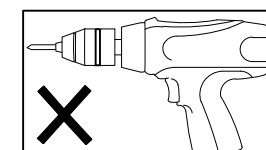
BEFORE FIXING THE TOP FRAME PLEASE ALIGN WITH THE BACK SIDES AND TOP PANEL.

STEP 8



YOU WILL NEED:-		
C		4 PCS
V		2 PCS

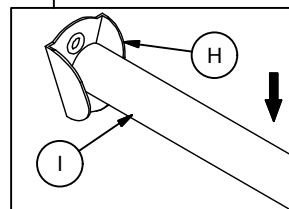
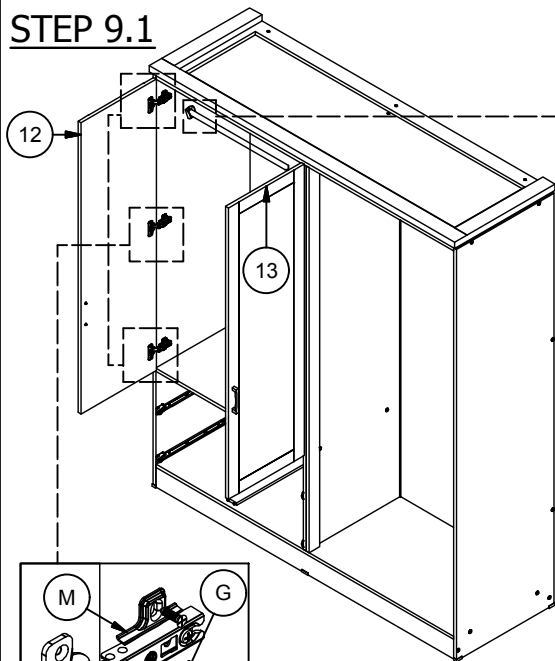


THE USE OF POWER TOOLS TO ASSEMBLE THIS PRODUCT WILL INVALIDATE ANY CLAIM AND MAY DAMAGE THIS PRODUCT MAKING IT UNSAFE.

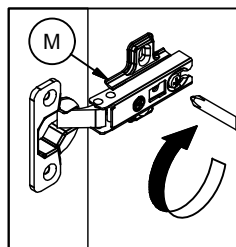
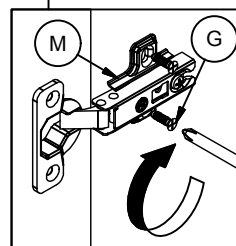


STEP 9.1

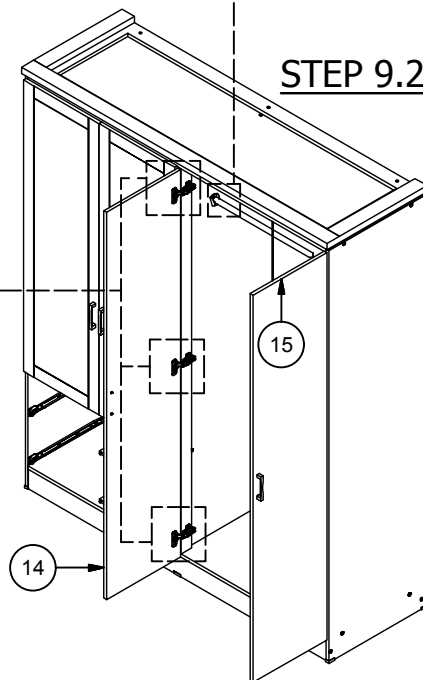
YOU WILL NEED:-		
G		24 PCS
I		2 PCS




STEP 9.2

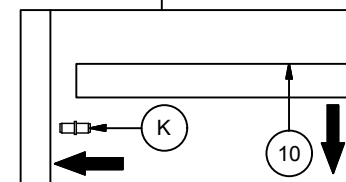
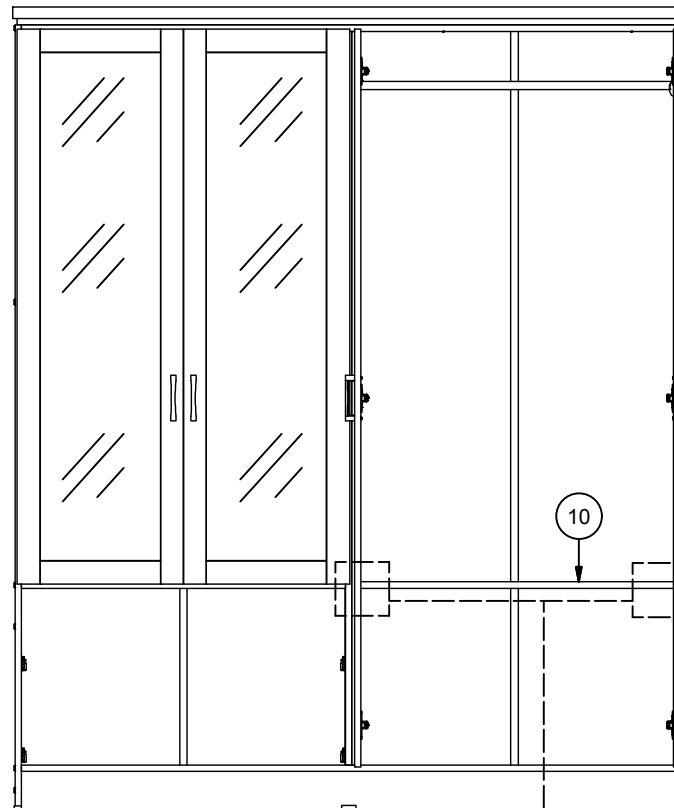


SHOULD READ - ADJUST SCREWS AS SHOWN TO ALIGN DOOR ONCE HINGES HAVE BEEN ATTACHED

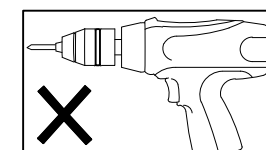


STEP 10

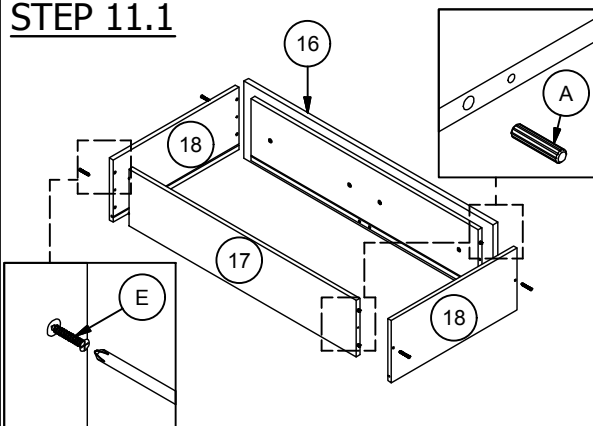
YOU WILL NEED:-		
K		4 PCS



THE USE OF POWER TOOLS TO ASSEMBLE THIS PRODUCT WILL INVALIDATE ANY CLAIM AND MAY DAMAGE THIS PRODUCT MAKING IT UNSAFE.



STEP 11.1

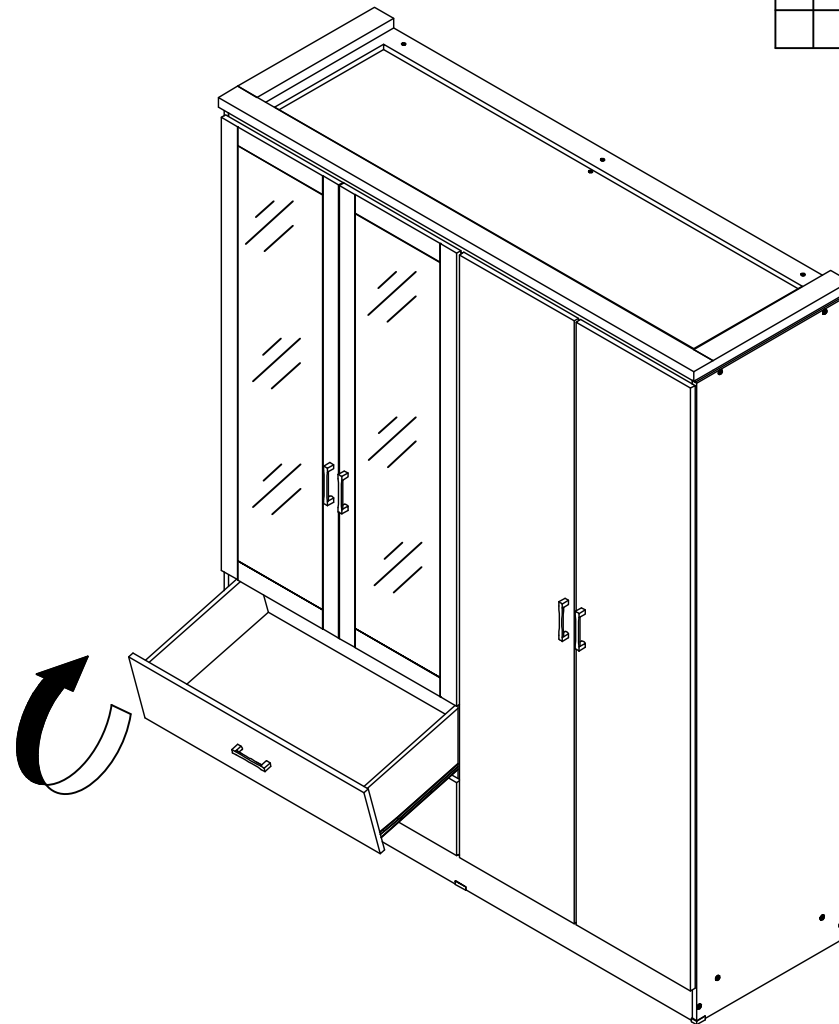


YOU WILL NEED:-

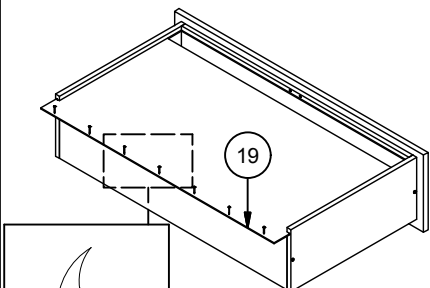
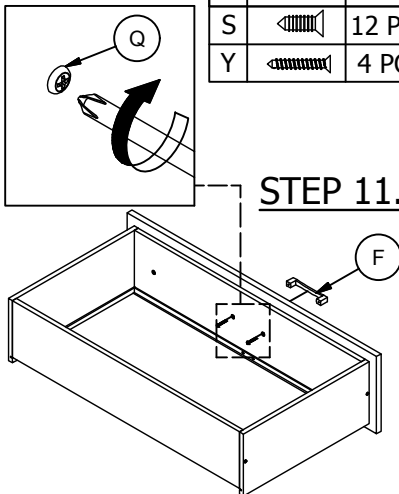
A		20 PCS
D		14 PCS
E		8 PCS
F		2 PCS
O		4 PCS
Q		4 PCS
S		12 PCS
Y		4 PCS

STEP 12

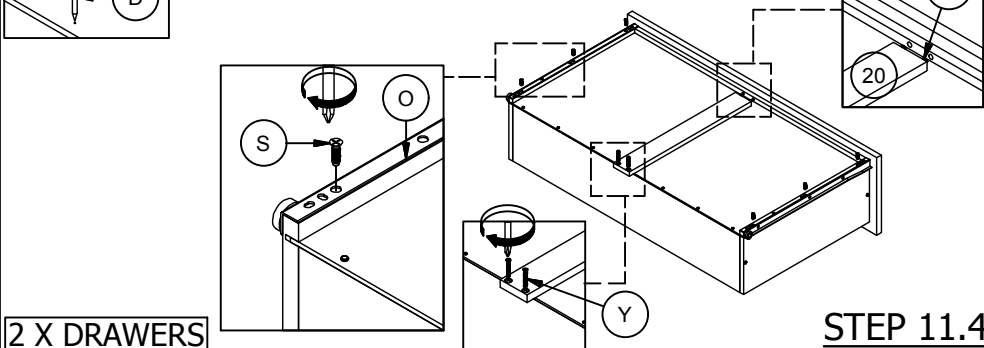
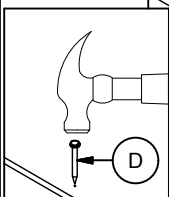
YOU WILL NEED:-



STEP 11.2



STEP 11.3



STEP 11.4

2 X DRAWERS

THE USE OF POWER TOOLS TO ASSEMBLE THIS PRODUCT WILL INVALIDATE ANY CLAIM AND MAY DAMAGE THIS PRODUCT MAKING IT UNSAFE.

