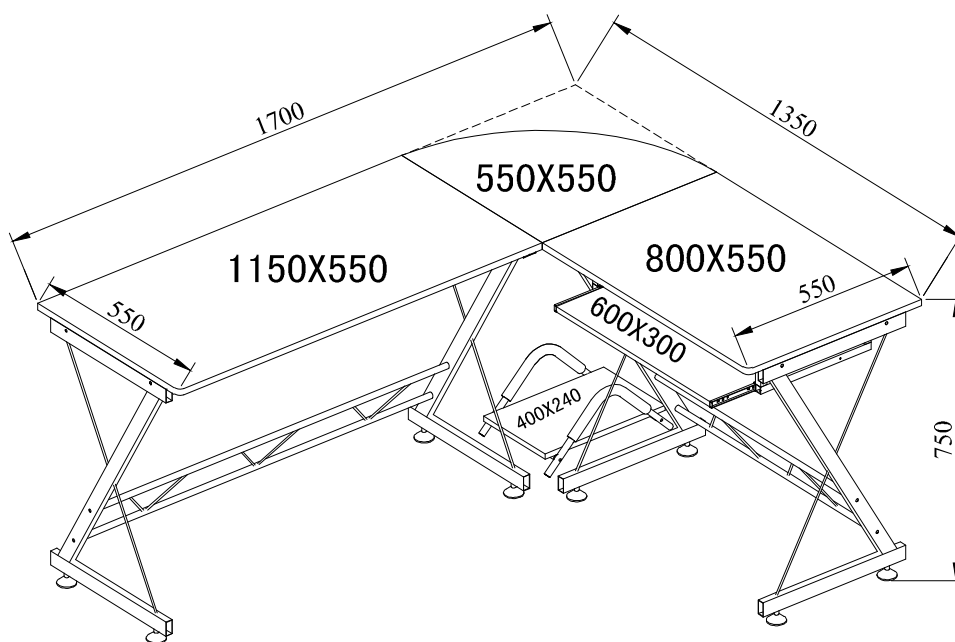


English

COMPUTER TABLE ASSEMBLY INSTRUCTION

Thanks for purchasing one of our products, please read carefully the assembly instructions before the installation (Attention: Do not tighten the screws before all screws are in place)



Model 20070/20071/20072

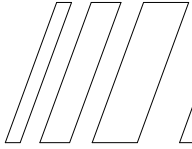
General Care:

-Keep your furniture out direct sunlight-Use desk pads and coasters to protect the surface from dents, scratches, and moisture from hot or cold liquids.

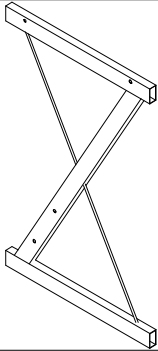
Cleaning:

-For cleaning, wipe the surface with a damp (not wet) cloth or wipe dry with a clean lint free cotton cloth.

-Window cleaning liquid or a similar cleaning liquid can be used to clean glass surface.

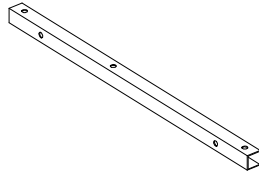


①



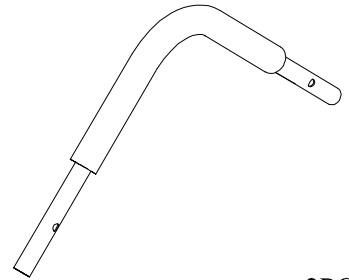
4PCS

②



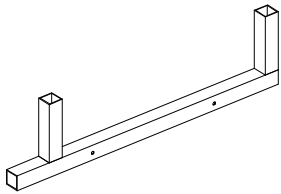
2PCS

③



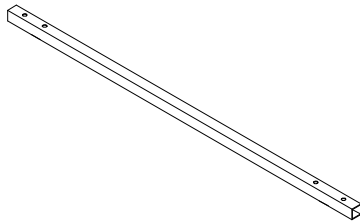
2PCS

④



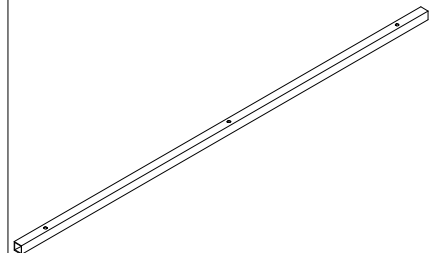
2PCS

⑤



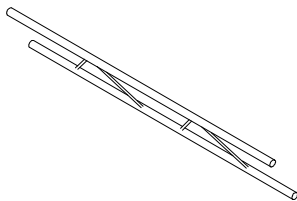
2PCS

⑥

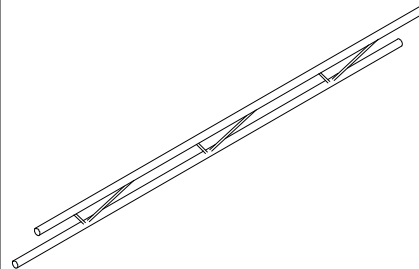


2PCS

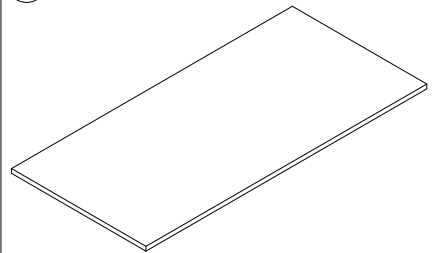
⑦



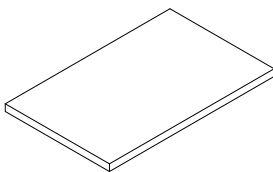
⑧



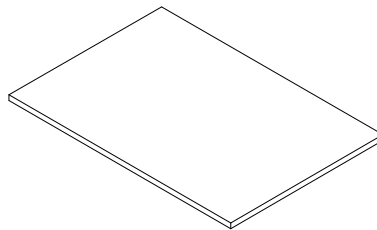
⑨



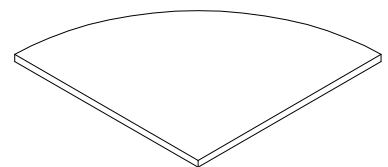
⑩



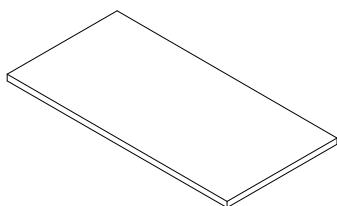
⑪



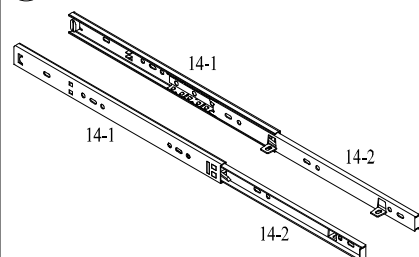
⑫

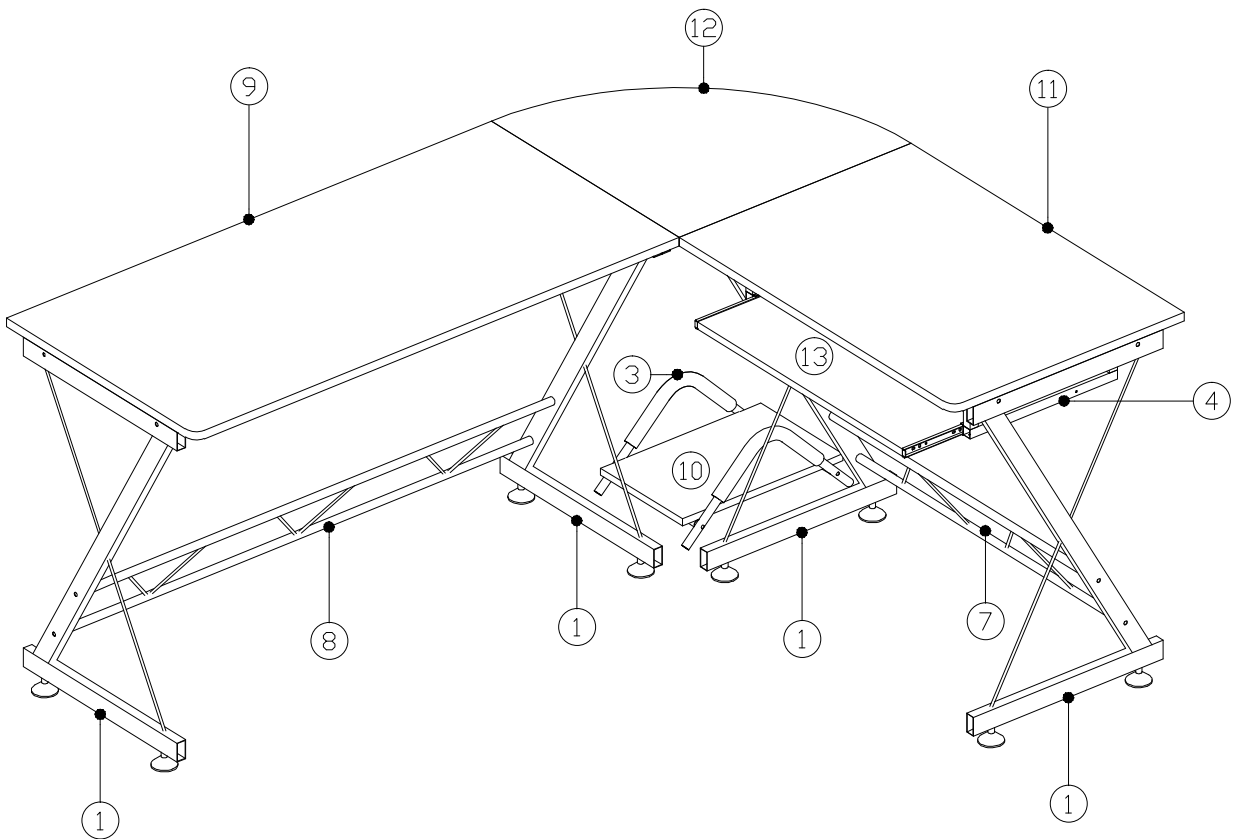


⑬

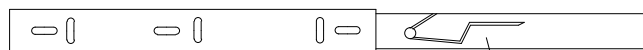


⑭





Pull out



Push

Disconnect the keyboard rail with the **BLACK PLASTIC PART**. It needs to be pulled down to disconnect the runners.

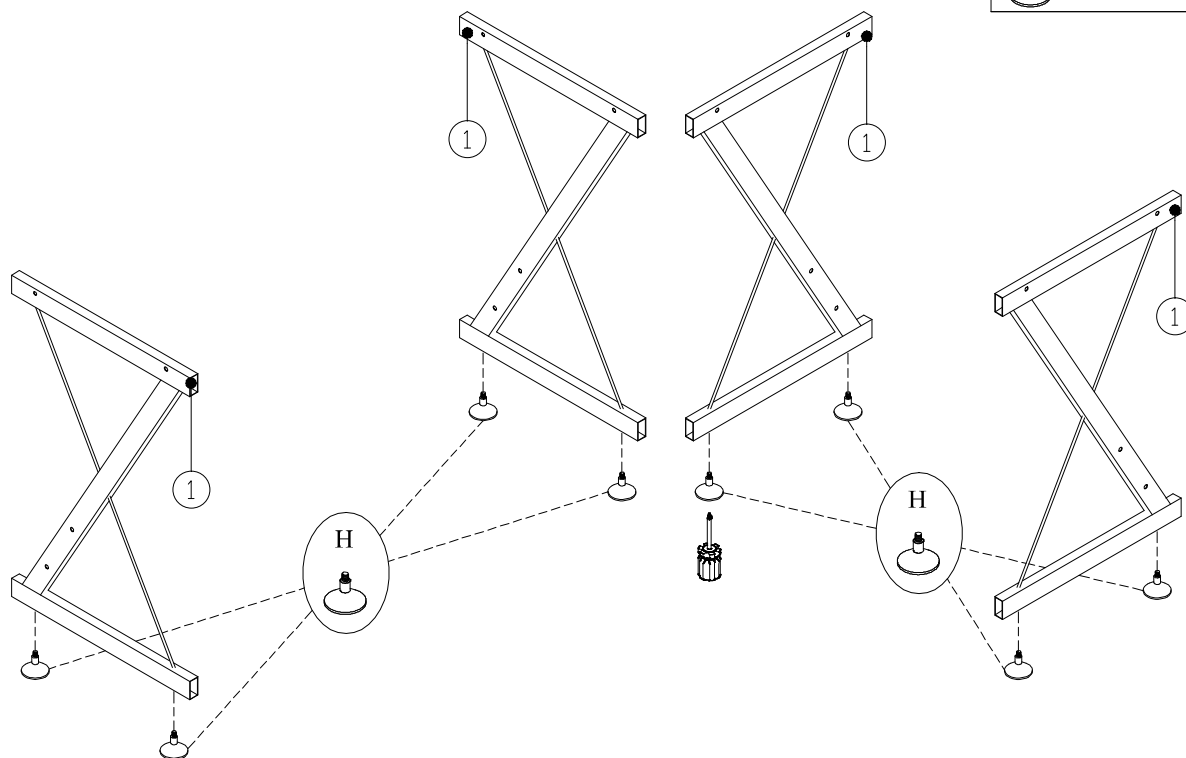
A	M6X60	4	
B	M6X35	8	
C	M6X30	24	
D	M4X25	4	
E	M3.5X14	4	

F	M4	4	
G	M5X55	4	
H		8	
I		1	

1




.SCREWS

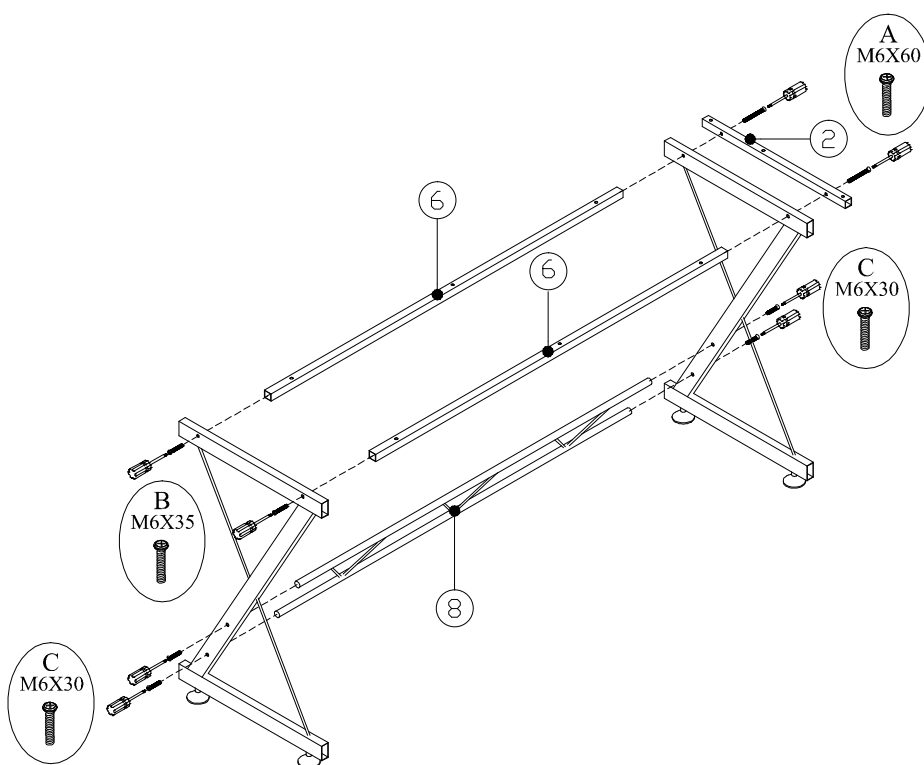
H	8 PCS	
---	-------	---

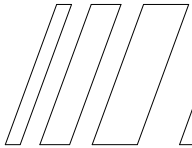


2

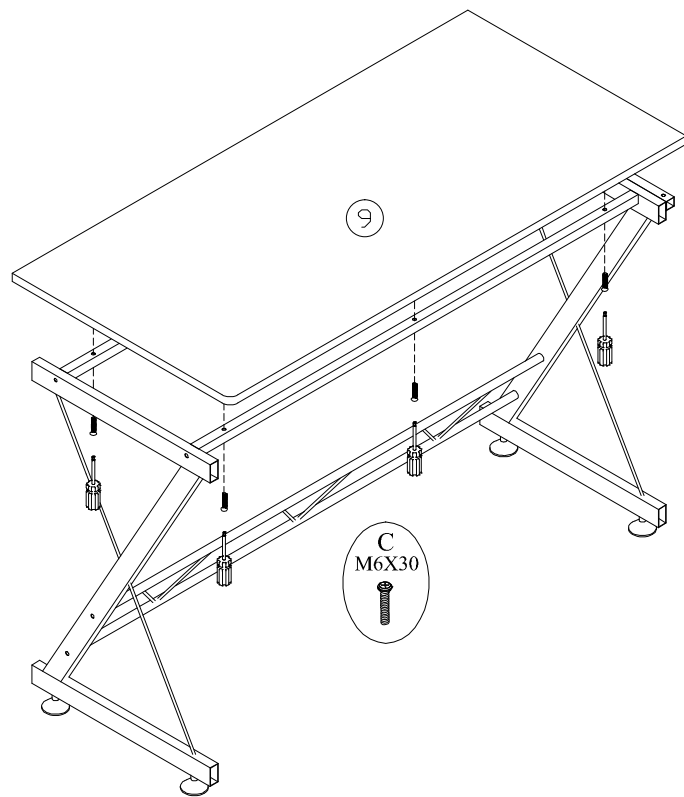
.SCREWS

A	M6X60	
B	M6X35	
C	M6X30	





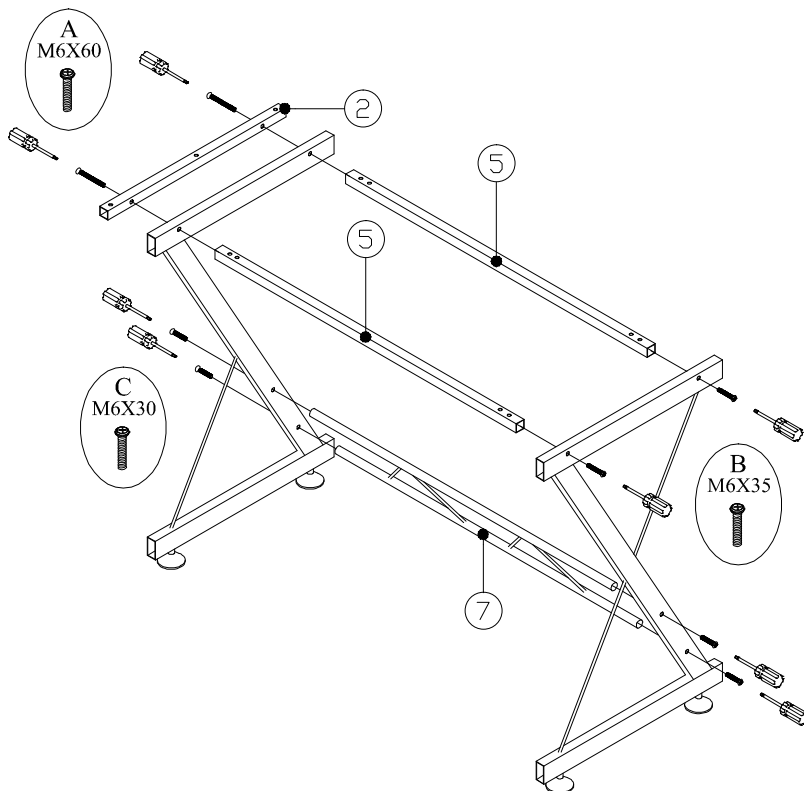
3



.SCREWS

C	M6X30	
	6 PCS	

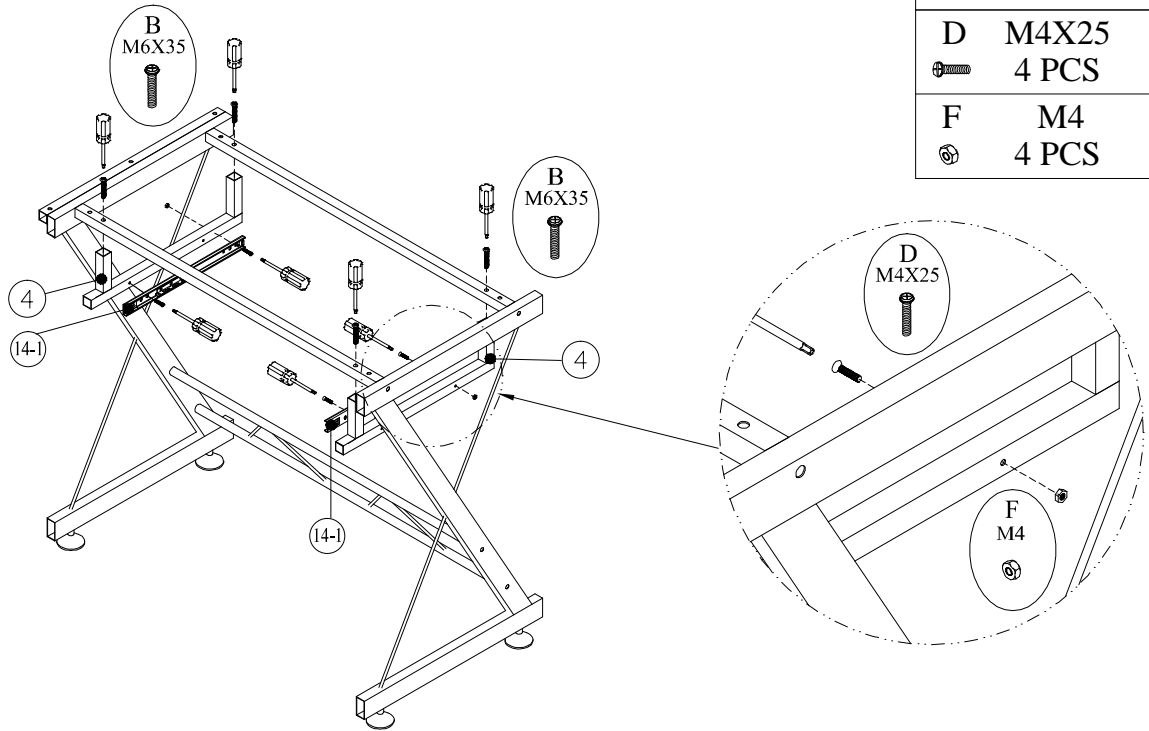
4









.SCREWS

A	M6X60	
	2 PCS	
B	M6X35	
	2 PCS	
C	M6X30	
	4 PCS	

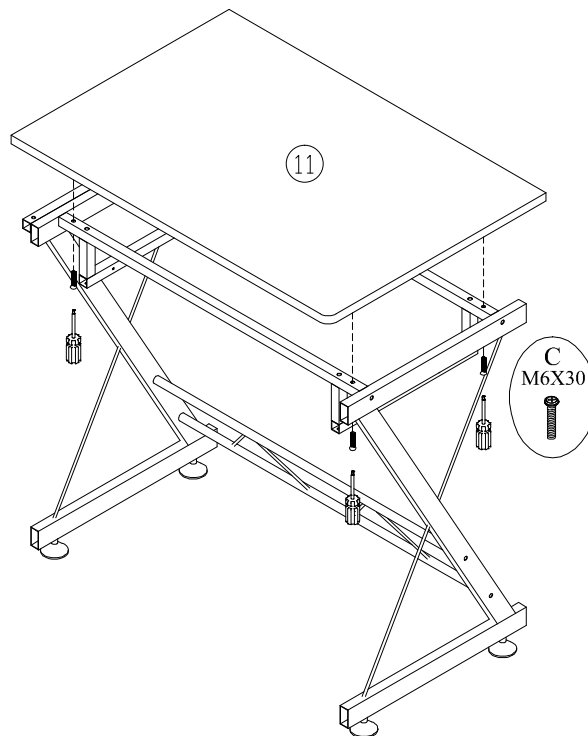
5





.SCREWS

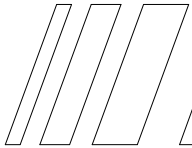
B	M6X35	
	4 PCS	
D	M4X25	
	4 PCS	
F	M4	
	4 PCS	

6



.SCREWS

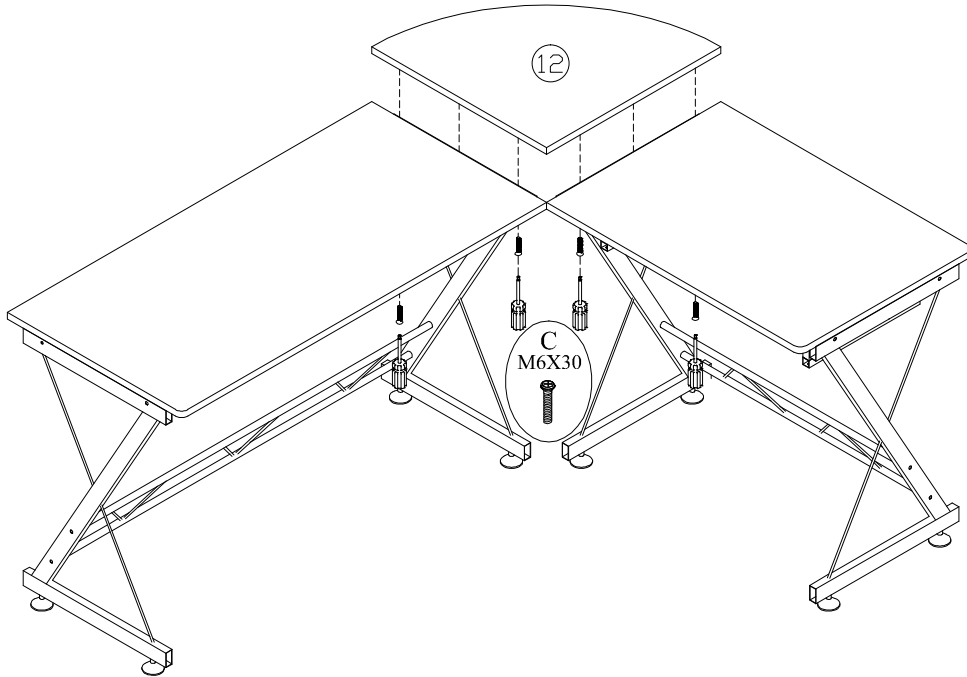
C	M6X30	
	4 PCS	



7

.SCREWS

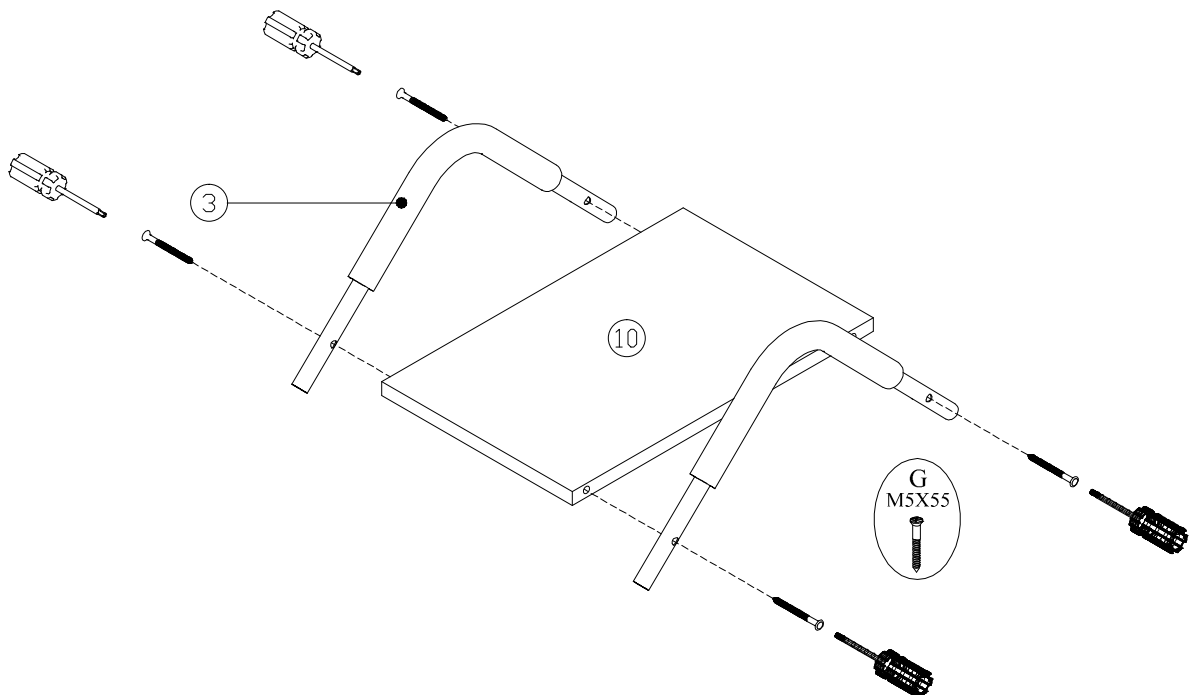
C M6X30
6 PCS



8

.SCREWS

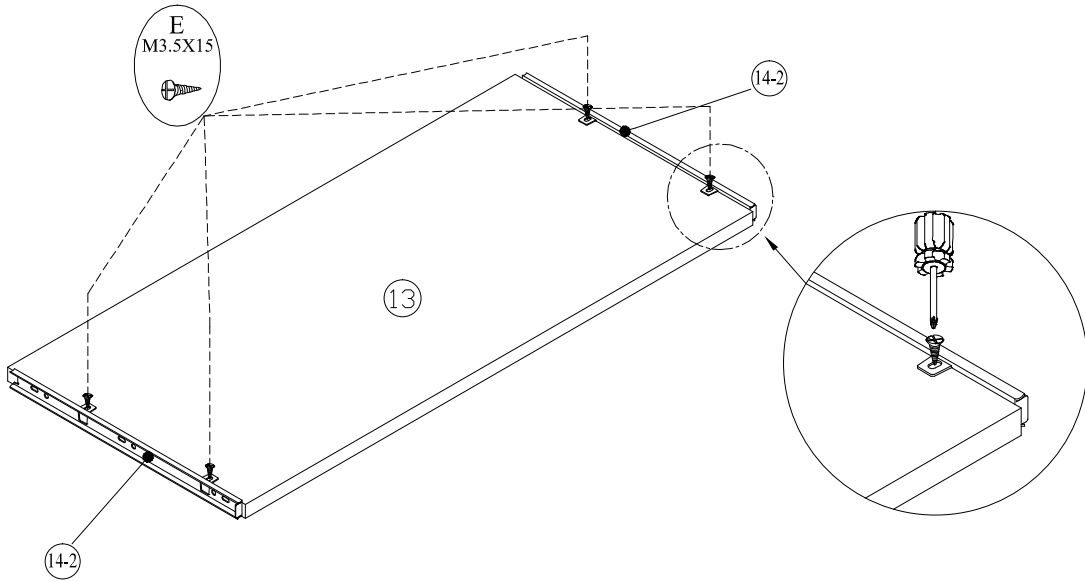
G M5X55
4 PCS



9

.SCREWS

E M3.5X14
4 PCS



10

