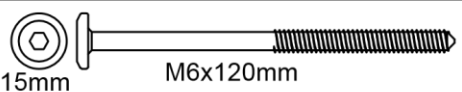

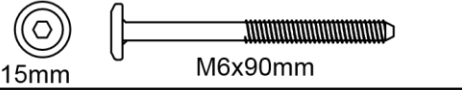
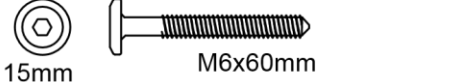
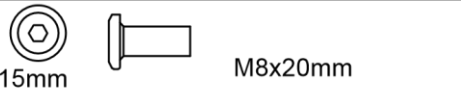
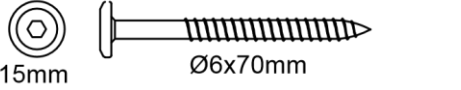

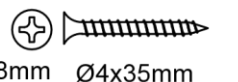
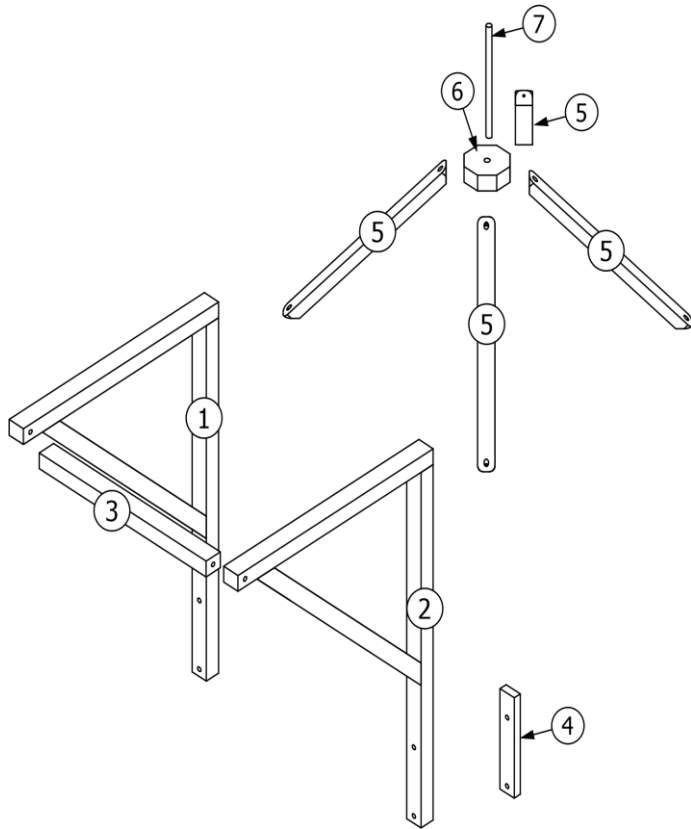


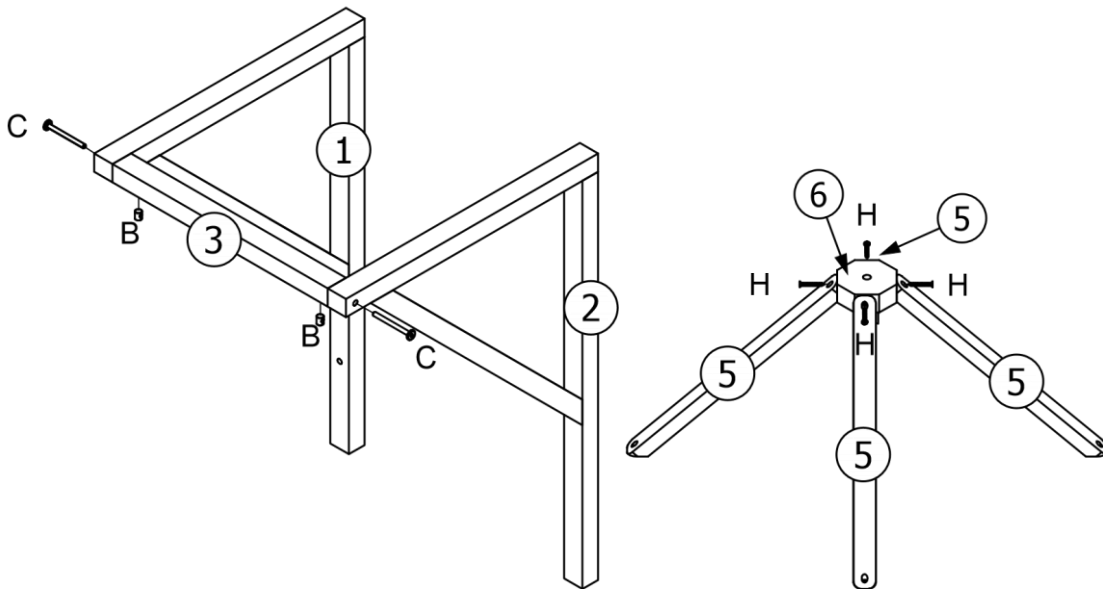
# HARDWARE



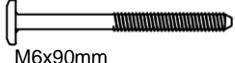
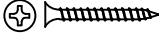
A	 15mm M6x120mm	01
B		02
C	 15mm M6x90mm	02
D	 15mm M6x60mm	02

E	 15mm M8x20mm	02
F	 15mm Ø6x70mm	01
G		01
H	 8mm Ø4x35mm	08

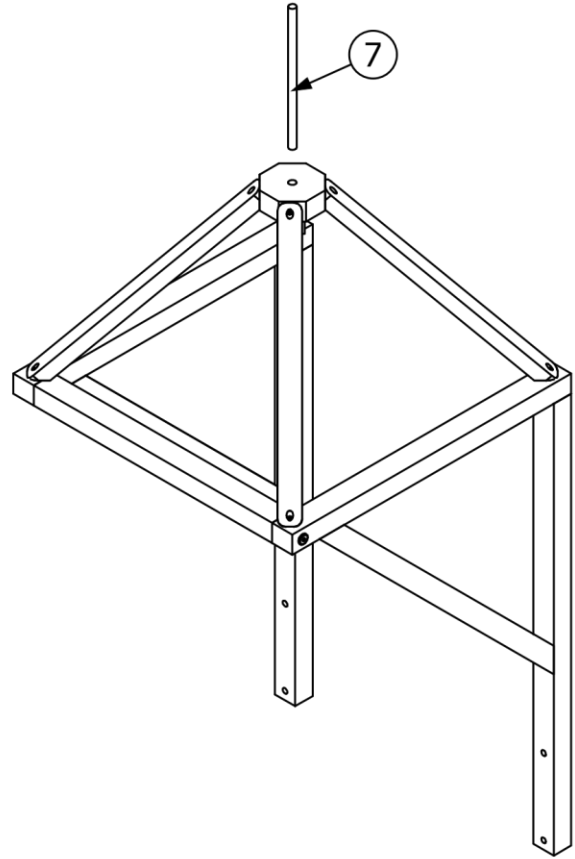
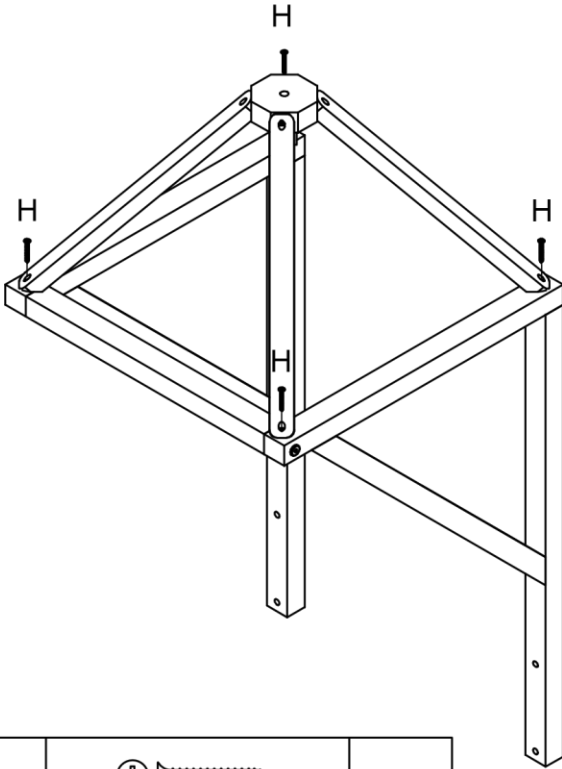


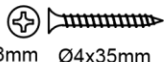
**01**



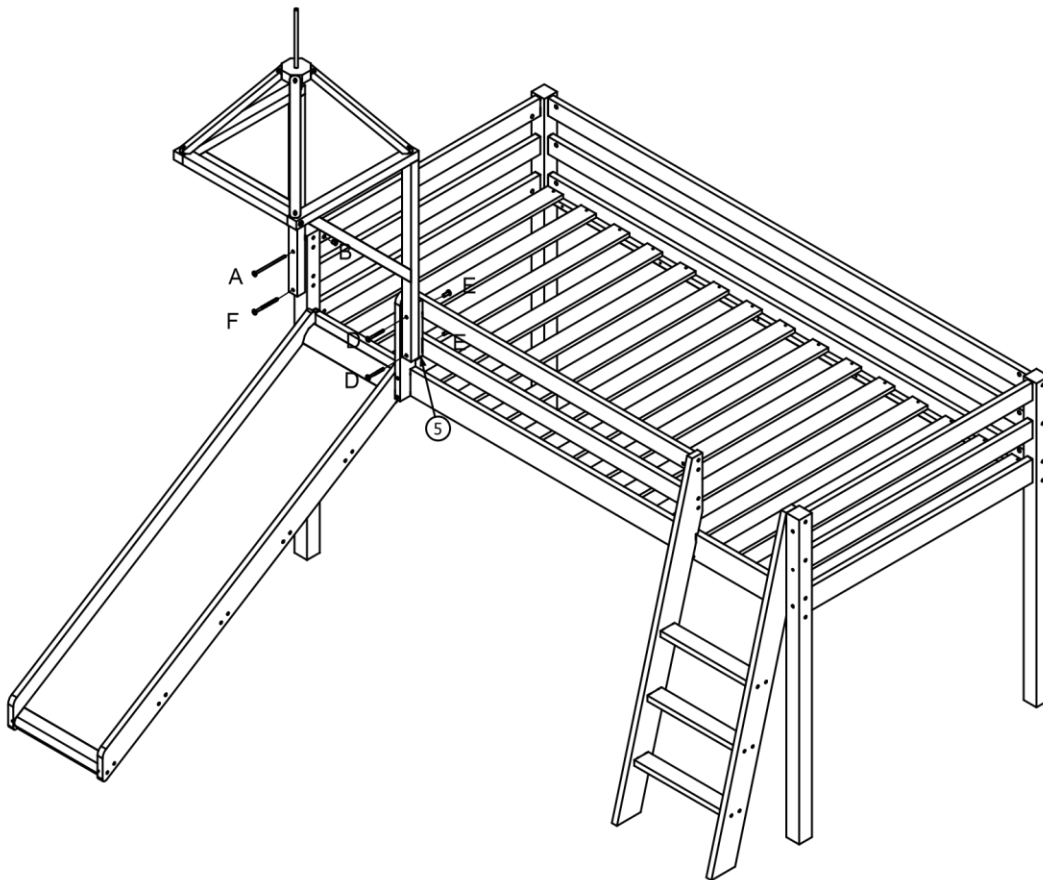
B		02
C	 15mm  M6x90mm	02
H	 8mm Ø4x35mm	04

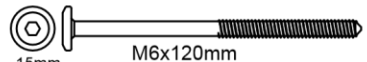
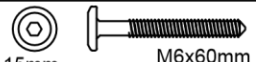
# 02


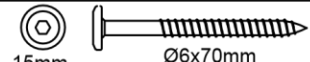


H	 8mm Ø4x35mm	04
---	---	----

# 03



A	 15mm M6x120mm	01
D	 15mm M6x60mm	02

E	 15mm M8x20mm	02
F	 15mm Ø6x70mm	01

# Important Safety Information

- a) All assembly fastenings should be tightened properly and care should be taken that no fittings are loose.
- b) Maximum thickness of mattress:13.5cm, the max mattress thickness must not be over the maximum mattress thickness marking marked on the upper bed.
- c) Recommended size of the mattress:L190\*W90\*13.5cm.
- d) The Cabin bed should not be used if any structural part is broken or missing.
- e) The upper bed of the Cabin beds are not suitable for children under 3 years due to injury from falling.
- f) Children can strangle in items such as ropes, strings, cords, harnesses and belts attached to or hung on a bunk bed.
- g) Warning: Children can become trapped between the bed and the wall. To avoid risk of serious injury the distance between the tip safety barrier and the wall shall not exceed 75mm or shall be more than 230mm.
- h) EN747-1, 04. 2007