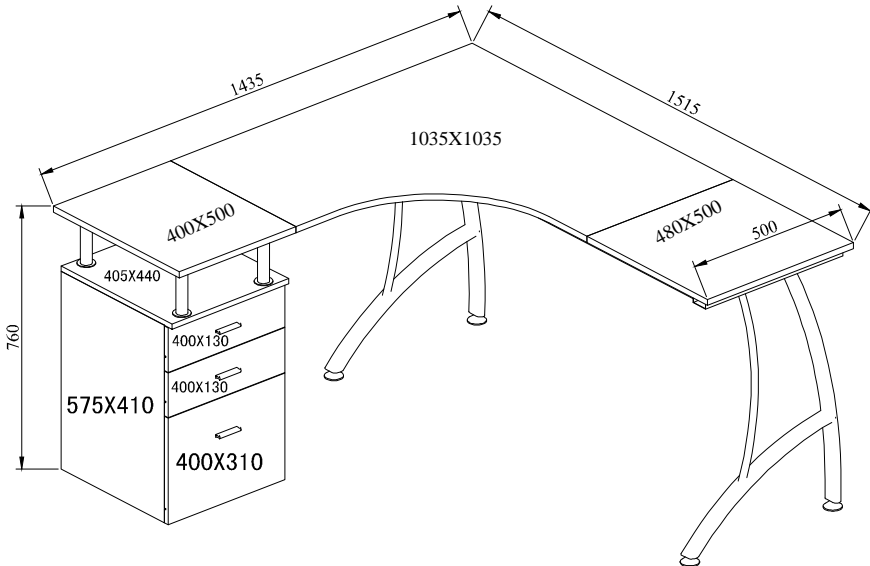


English

# COMPUTER TABLE ASSEMBLY INSTRUCTION

Thanks for purchasing one of our products, please read carefully the assembly instructions before the installation (Attention: Do not tighten the screws before all screws are in place)



**Model 20080/20081**

## General Care:

-Keep your furniture out direct sunlight-Use desk pads and coasters to protect the surface from dents, scratches, and moisture from hot or cold liquids.

## Cleaning:

-For cleaning, wipe the surface with a damp (not wet) cloth or wipe dry with a clean lint free cotton cloth.

-Window cleaning liquid or a similar cleaning liquid can be used to clean glass surface.



# 20080/20081

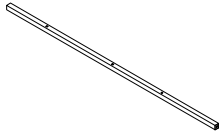
P.2

①



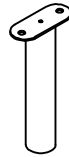
2PCS

②



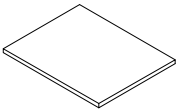
2PCS

③

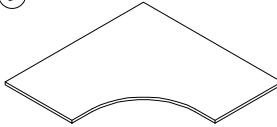


4PCS

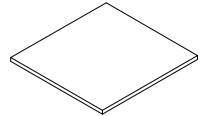
④



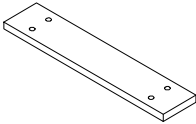
⑤



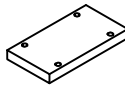
⑥



⑦

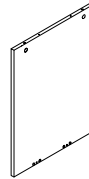


⑧



2PCS

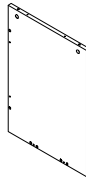
⑨



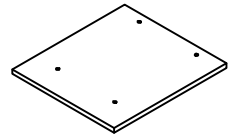
⑩



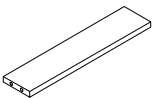
⑪



⑫

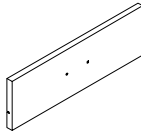


⑬



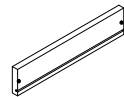
2PCS

⑭



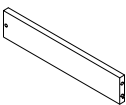
2PCS

⑮



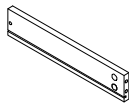
2PCS

⑯



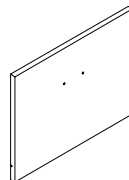
2PCS

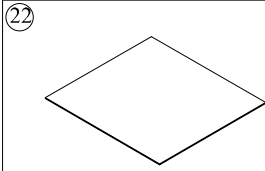
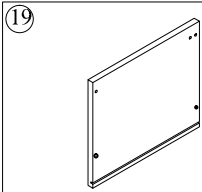
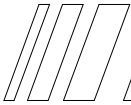
⑰



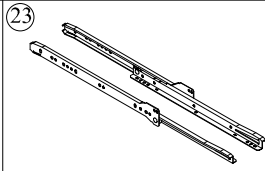
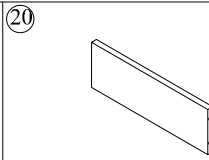
2PCS

⑱

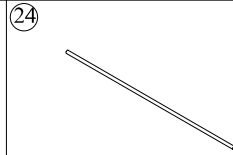
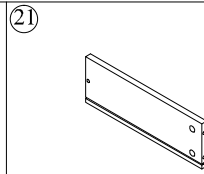




3PCS



3Sets

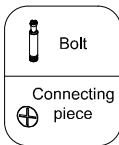


2PCS

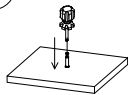
|   |       |    |  |
|---|-------|----|--|
| A | Ø6X40 | 12 |  |
| B | M6X70 | 4  |  |
| C | M6X35 | 10 |  |
| D | M6X30 | 16 |  |
| E | M6X10 | 8  |  |
| F | M4X18 | 6  |  |
| G | M5X55 | 6  |  |

|   |         |    |  |
|---|---------|----|--|
| H | M3.5X14 | 24 |  |
| I |         | 28 |  |
| J | Ø32     | 4  |  |
| K |         | 3  |  |
| L |         | 4  |  |
| M |         | 1  |  |

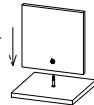
## 6X34mm bolt installation as below



STEPA.1

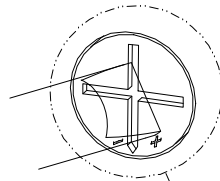


STEPA.2



Insert bolt when  
Connecting piece undet  
Such condition

Adjust connection piece  
direction if condition as  
illustrated



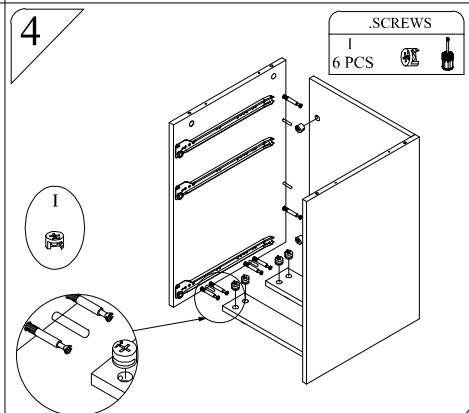
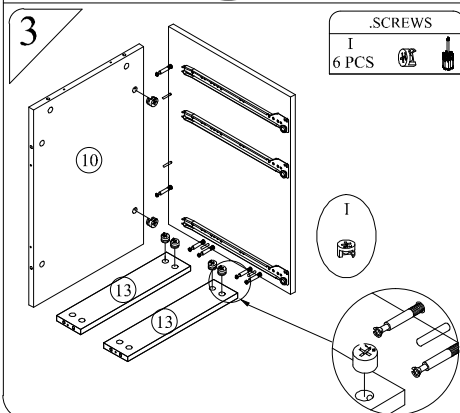
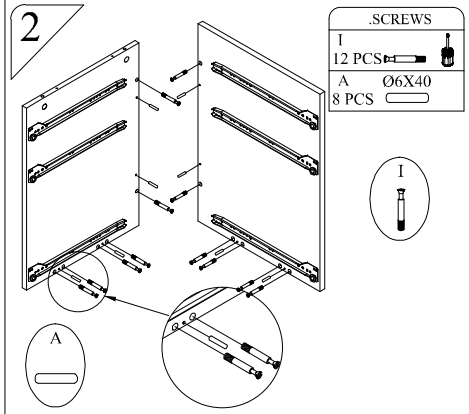
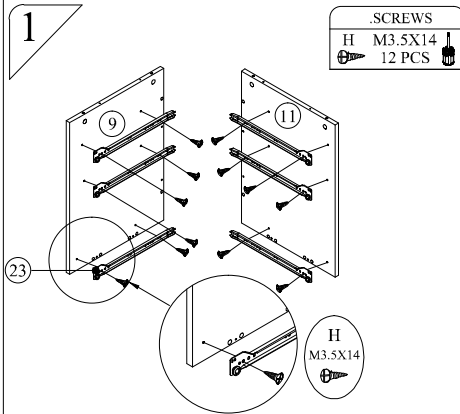
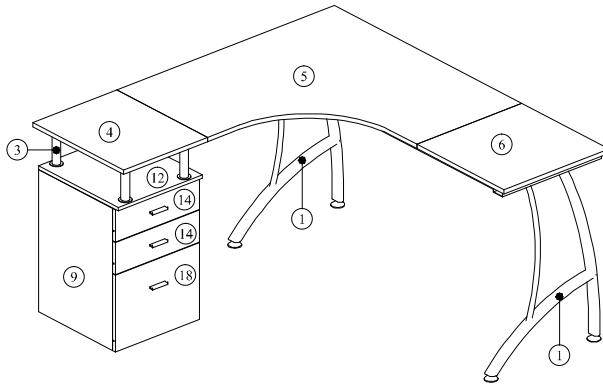
STEPA.3

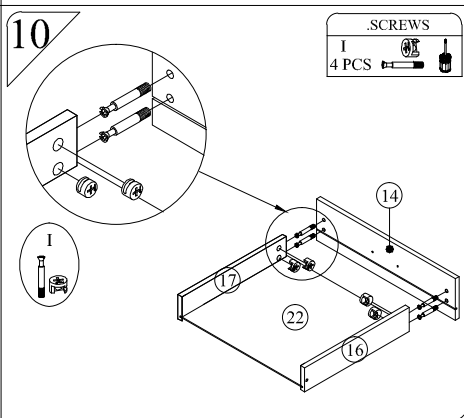
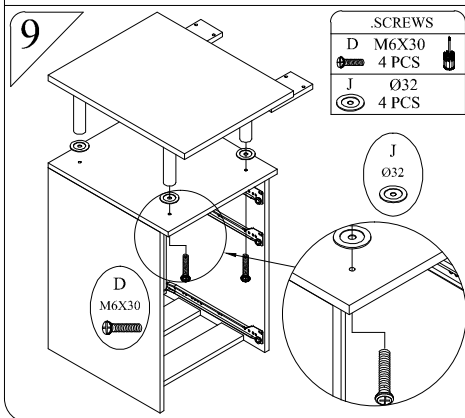
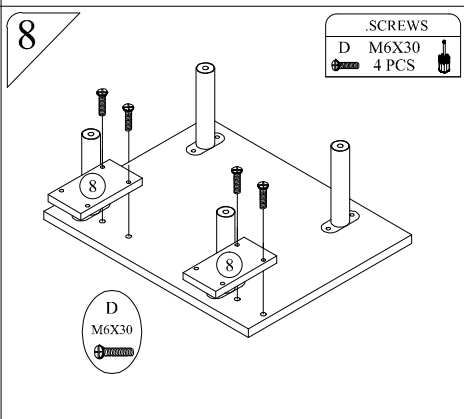
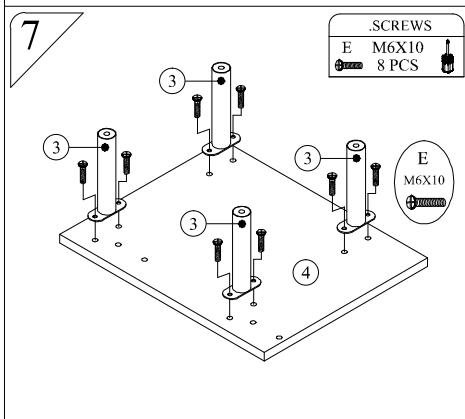
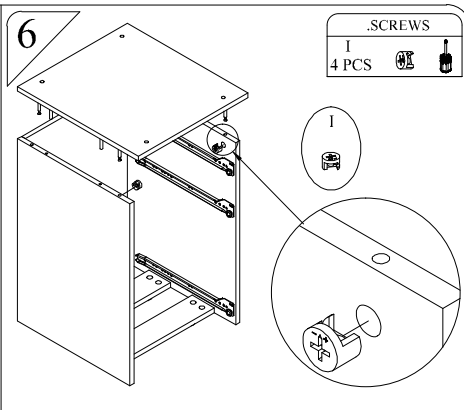
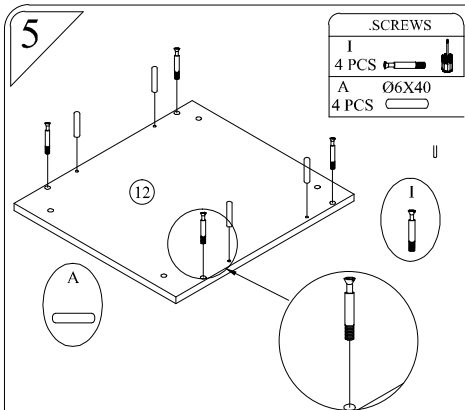


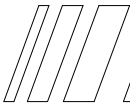


# 20080/20081

P.4

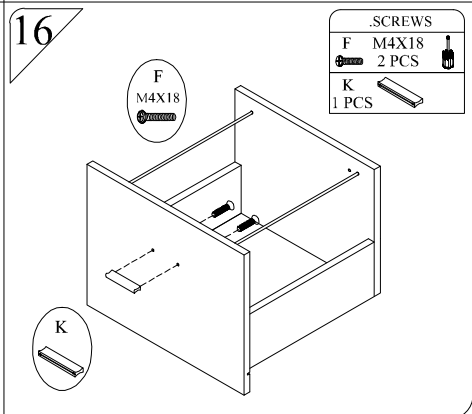
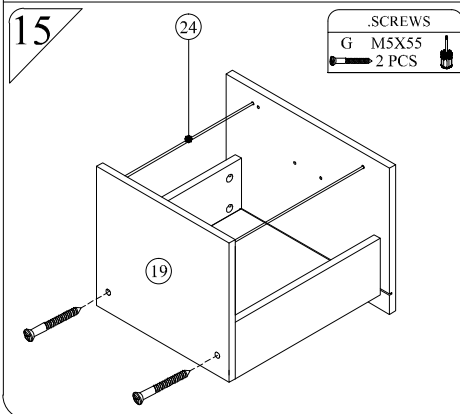
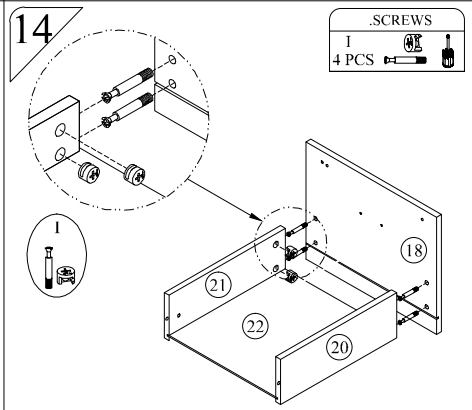
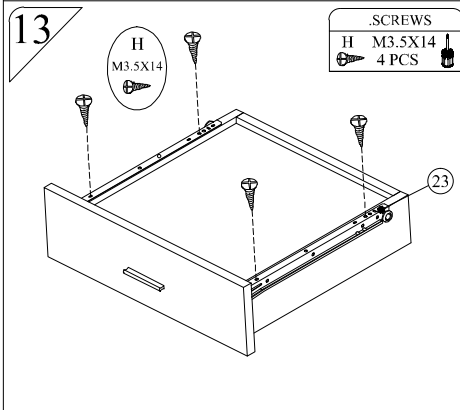
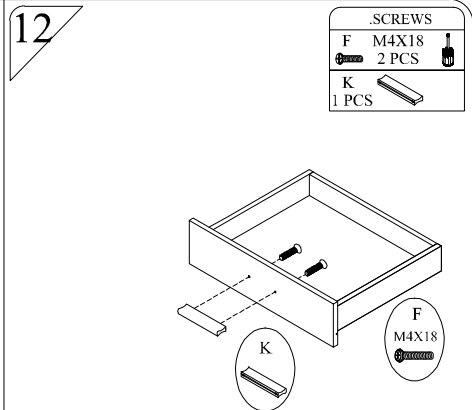
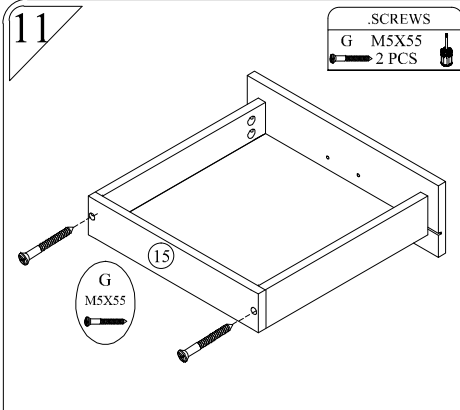


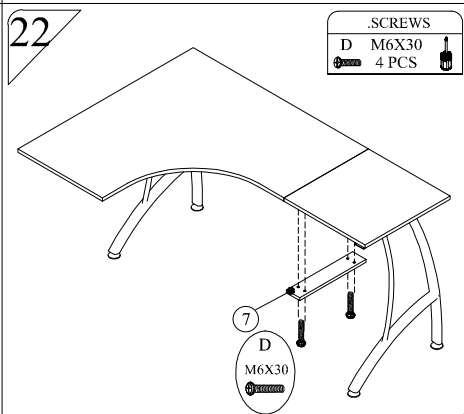
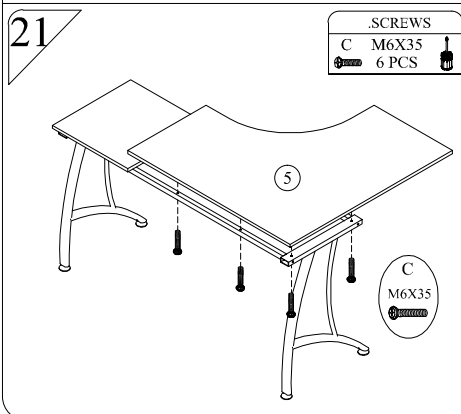
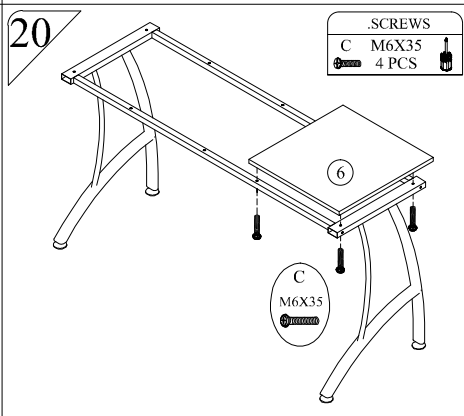
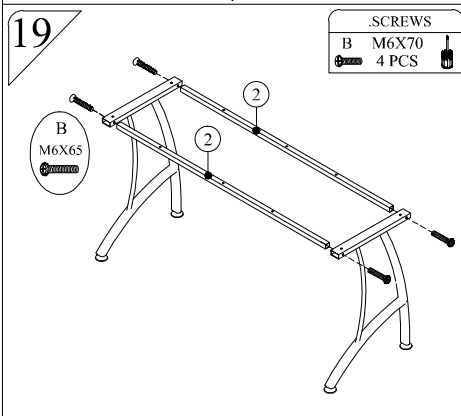
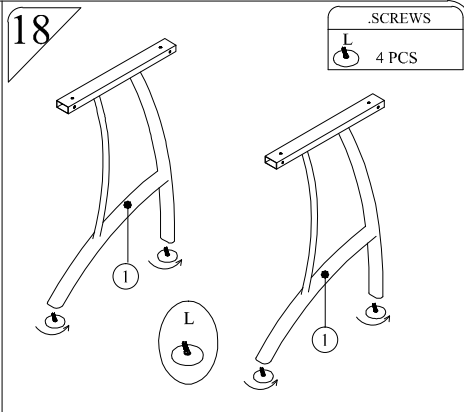
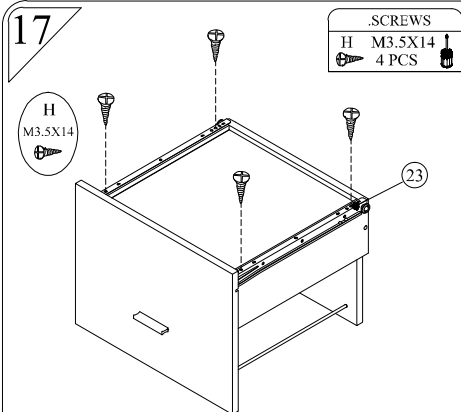




# 20080/20081

P.6





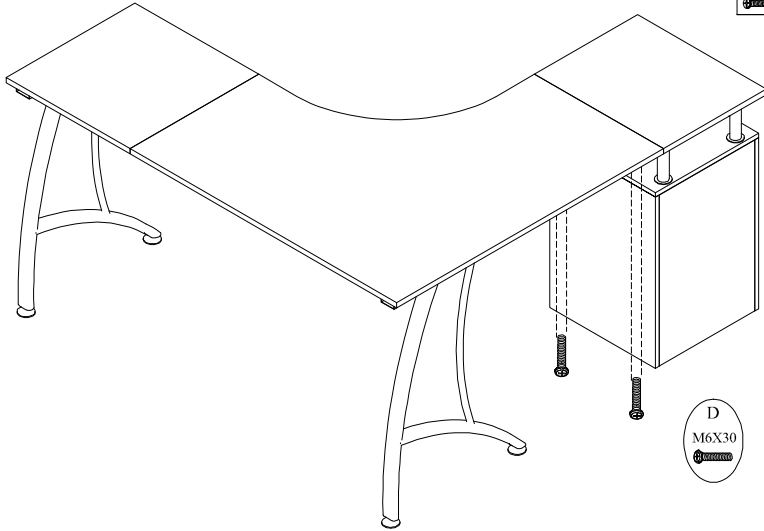


# 20080/20081

P.8

23

SCREWS  
D M6X30  
4 PCS 



24

