



Birlea

Suppliers of inspiration

Vendor: S000145



ASSEMBLY INSTRUCTIONS BERLIN OTTOMAN 3' BED

IMPORTANT: READ THESE INSTRUCTIONS CAREFULLY BEFORE ASSEMBLING OR USING YOUR BERLIN OTTOMAN 3' BED FRAME.

PLEASE KEEP THESE INSTRUCTIONS FOR FUTURE REFERENCE.

HEALTH & SAFETY:

DO NOT jump on this bed frame.

DO NOT use this bed frame if any parts are missing, damaged or worn.

DO NOT use this bed frame unless all fixings are secured.

Please keep small parts out of reach of children.

Always use on a level, even surface.

WARNING: If this bed is placed on a non-carpeted floor you must place some protection under all legs to stop the bed frame from moving. If this is not adhered to there is no guarantee if the bed frame collapses.

CARE & MAINTENANCE:

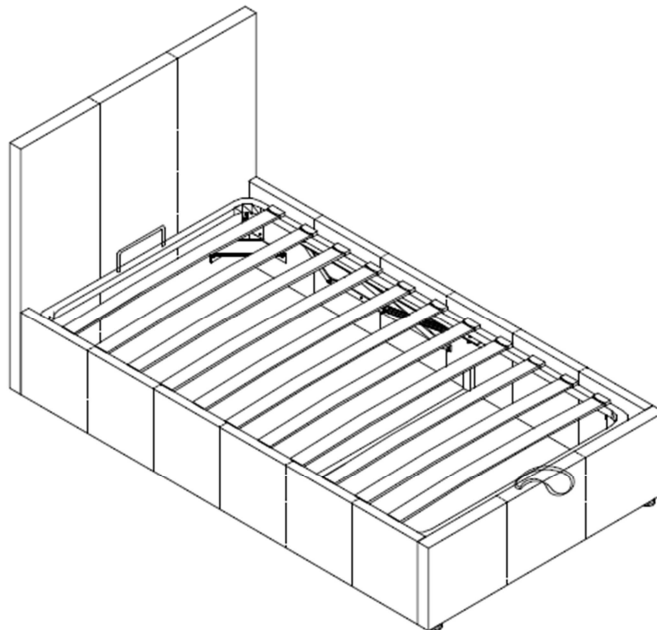
Assemble in the room of use.

Periodically check all screws & fixings to ensure they are secure.

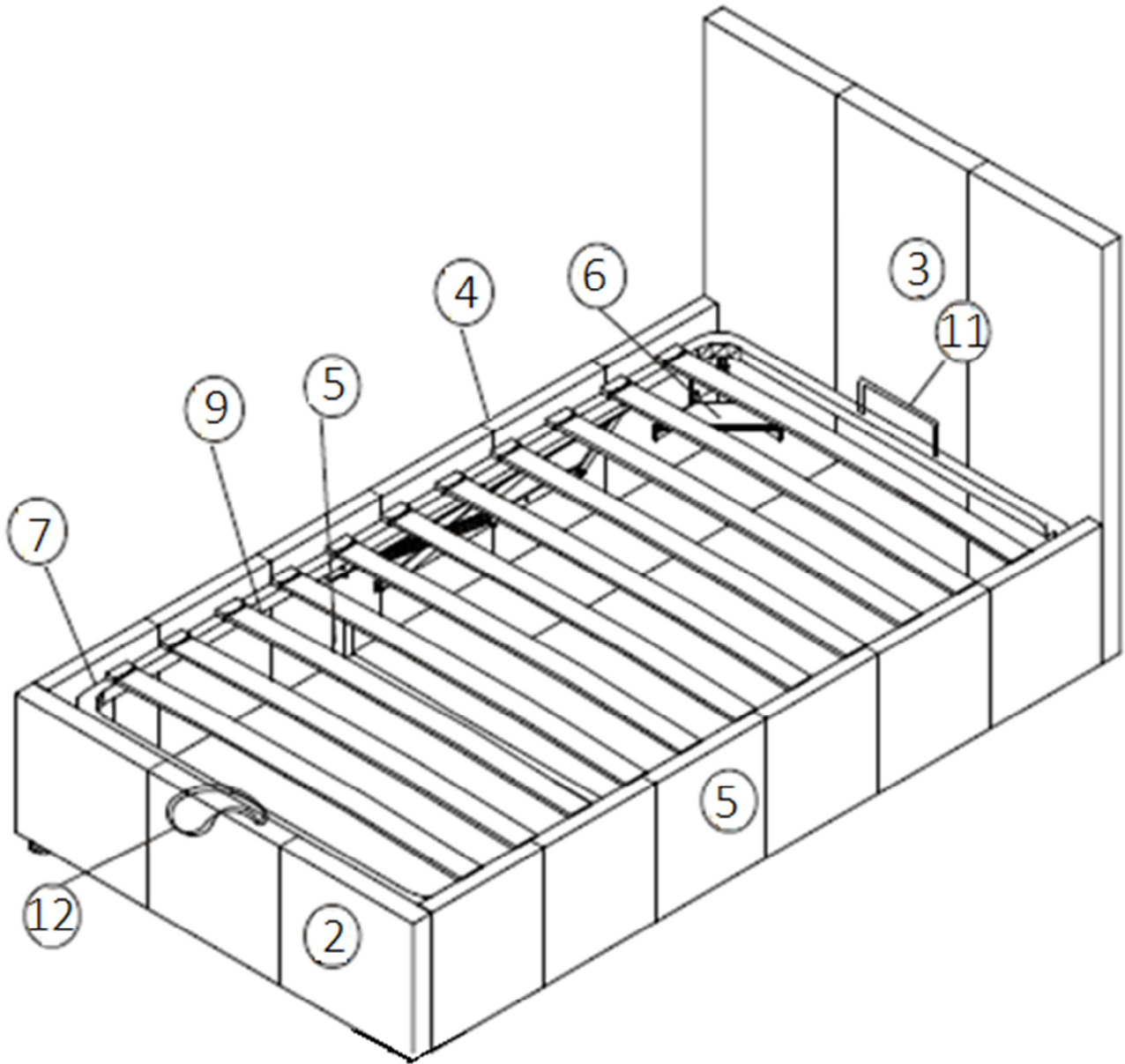
DO NOT push the bed frame as this will damage the legs.




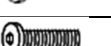
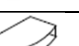
Always lift the bed with two people to reposition.

Keep any sharp objects away from the frame.



www.birlea.com

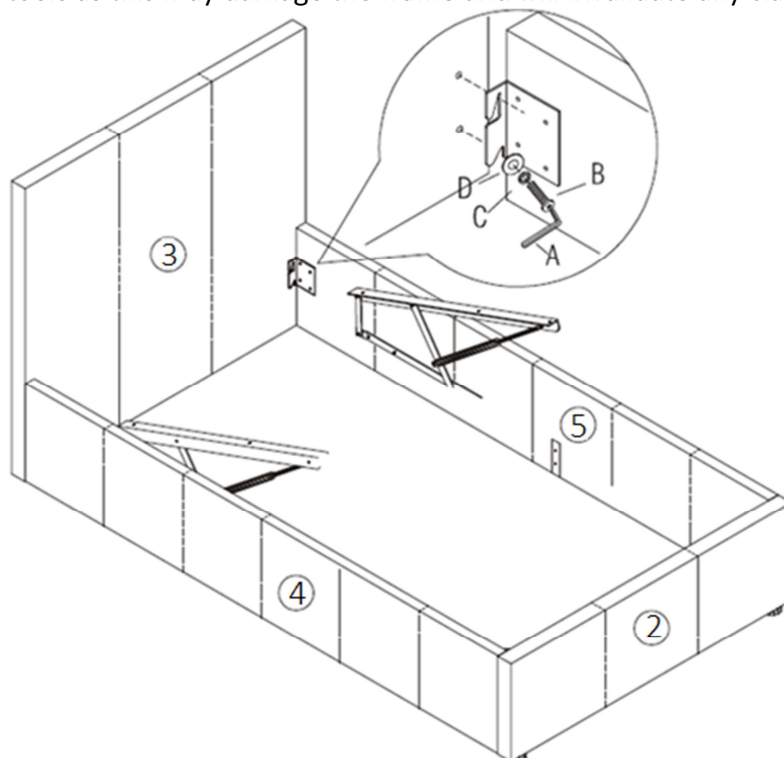


Parts List				Hardware List (found in box 2)			
Part	Description	Box	Qty	Part	Description		Qty
2	Footend	3	1	A	M5 Allen Key		1
3	Headend	1	1	B	M8 x 30 mm Bolt		8
4	Side Rail Left	2	1	C	M8 Spring Washer		8
5	Side Rail Right	2	1	D	M8 x 22 mm Flat Washer		8
6	Crossbar	3	1	E	M8 x 14 mm Nut		6
7	Corner Bracket	2	4	F	M14 Spanner		1
9	Metal Frame	3	1	G	M6 x 20 mm Bolt		16
11	Metal Hook	3	1	H	M4 Allen Key		1
12	Pull Strap	3	1	I	M4 x 60 mm Screw		4
13	Slat	3	13	J	M8 x 40 mm Bolt		6
14	Fabric Base	3	1	K	Slat Cap		26

** You will need a screwdriver (not provided).

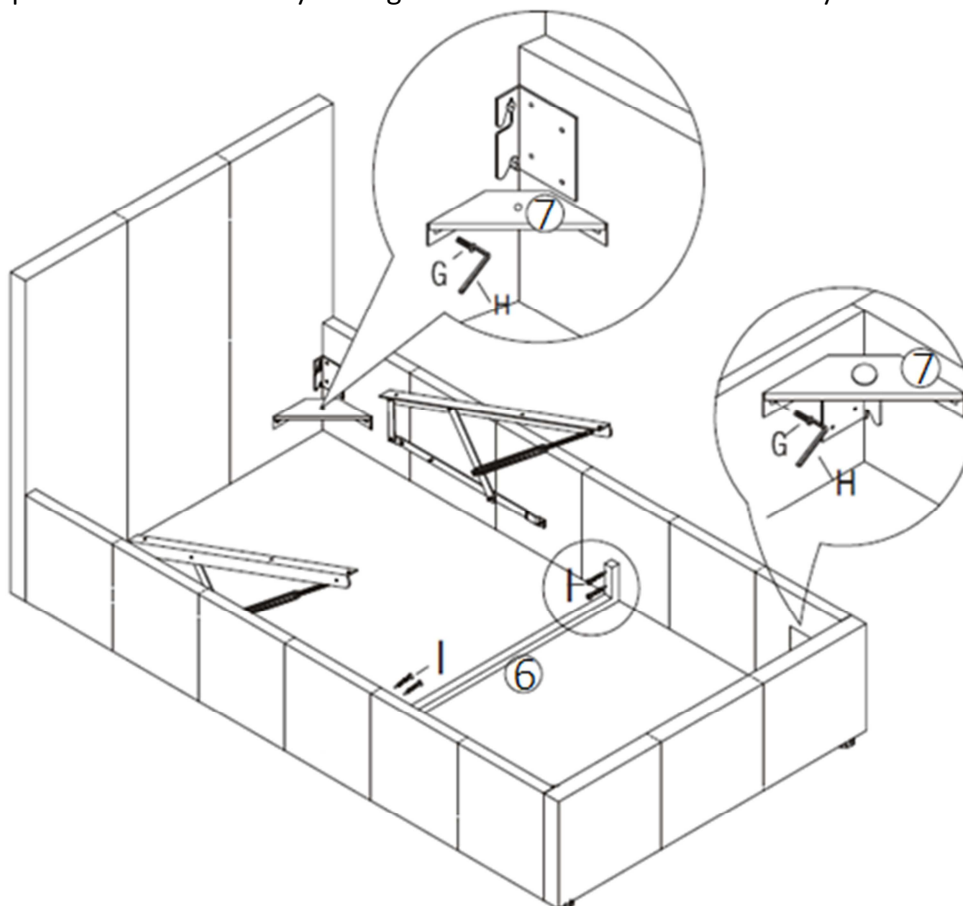
Step 1: Fix the left side rail (4) and right side rail (5) to the headend (3) and footend (2) using hardware parts A, B, C and D.

DO NOT use any power tools as this may damage the frame and will invalidate any claim.



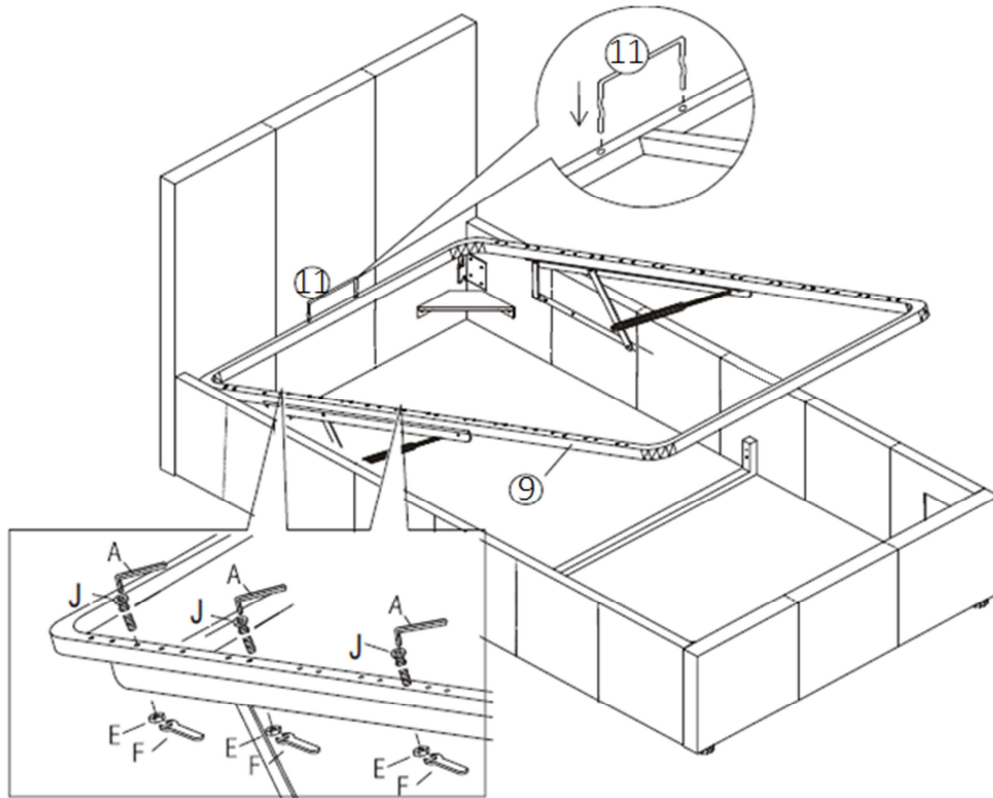
Step 2: Attach the corner brackets (7) using hardware part G and H. Fix the crossbar (6) into position using hardware part I and a screwdriver (not provided).

DO NOT use any power tools as this may damage the frame and will invalidate any claim.



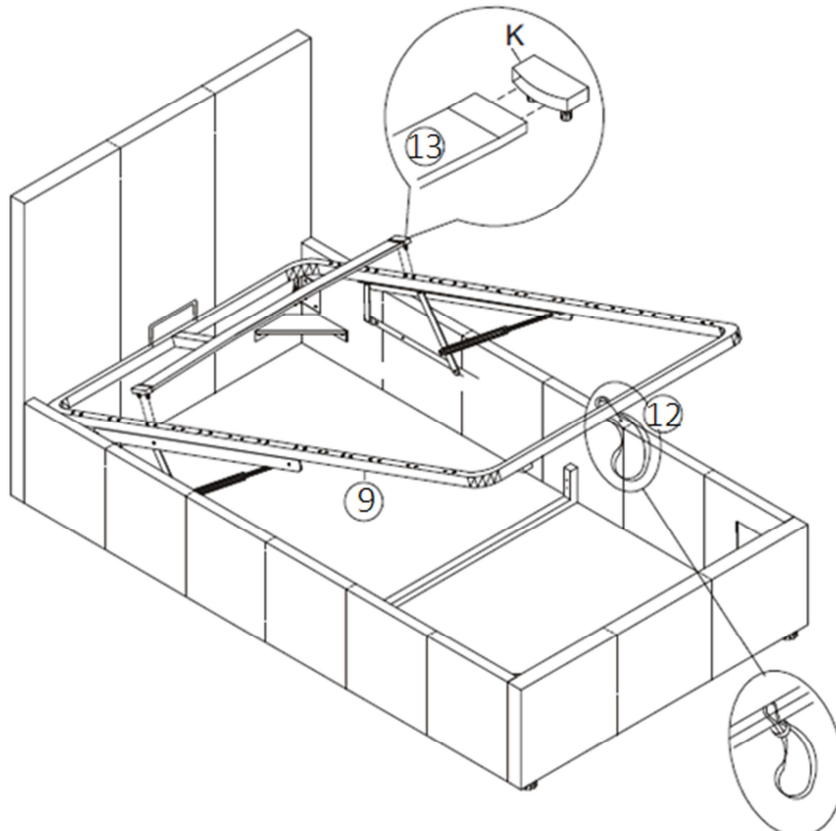
Step 3: Attach the metal frame (9) to the gas lifts pre-fixed to the side rails using hardware parts A, E, F and J. Insert the metal hook (11).

DO NOT use any power tools as this may damage the frame and will invalidate any claim.



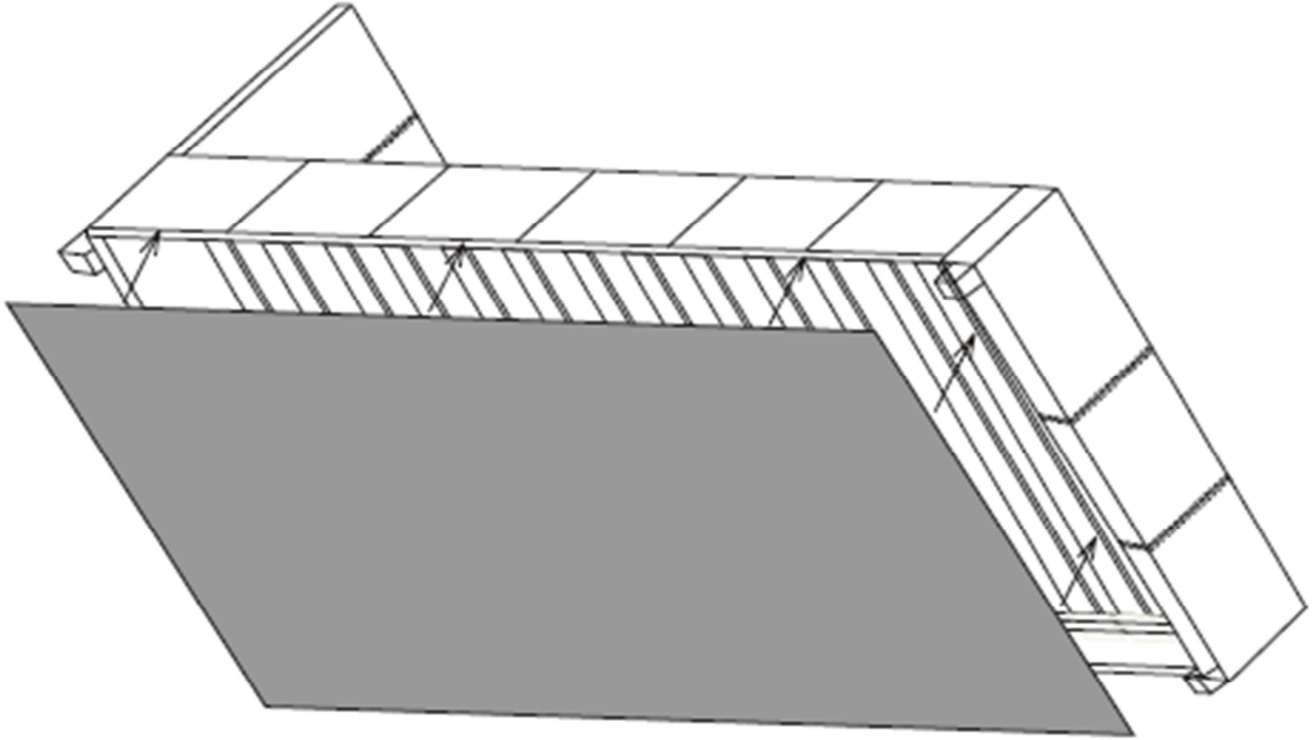
Step 4: To attach the pull strap (12) place it beneath the frame, then pull the strap on the inner side of the frame through the strap on the outer side to form a knot. Place hardware part K onto each slat (13) then push firmly into the metal frame (9).

DO NOT use any power tools as this may damage the frame and will invalidate any claim



Step 5: Tilt the bedframe onto its side then attach the fabric base (10)

DO NOT use any power tools as this may damage the frame and will invalidate any claim



Additional Information:

- For complete product information, images and dimension diagrams please visit the website www.birlea.com
- If you have any issues with your item please contact the retailer directly you purchased it from who will be able to resolve any issues with Birlea.
- Why don't you send us photos of your assembled furniture to info@birlea.com to be shared in our #birleahome feature on Instagram.



Birlea

Suppliers of inspiration