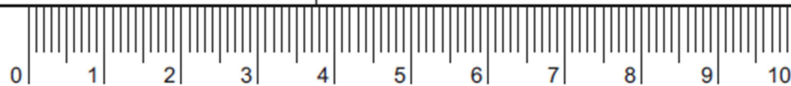
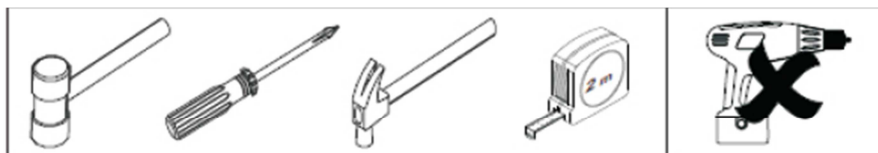
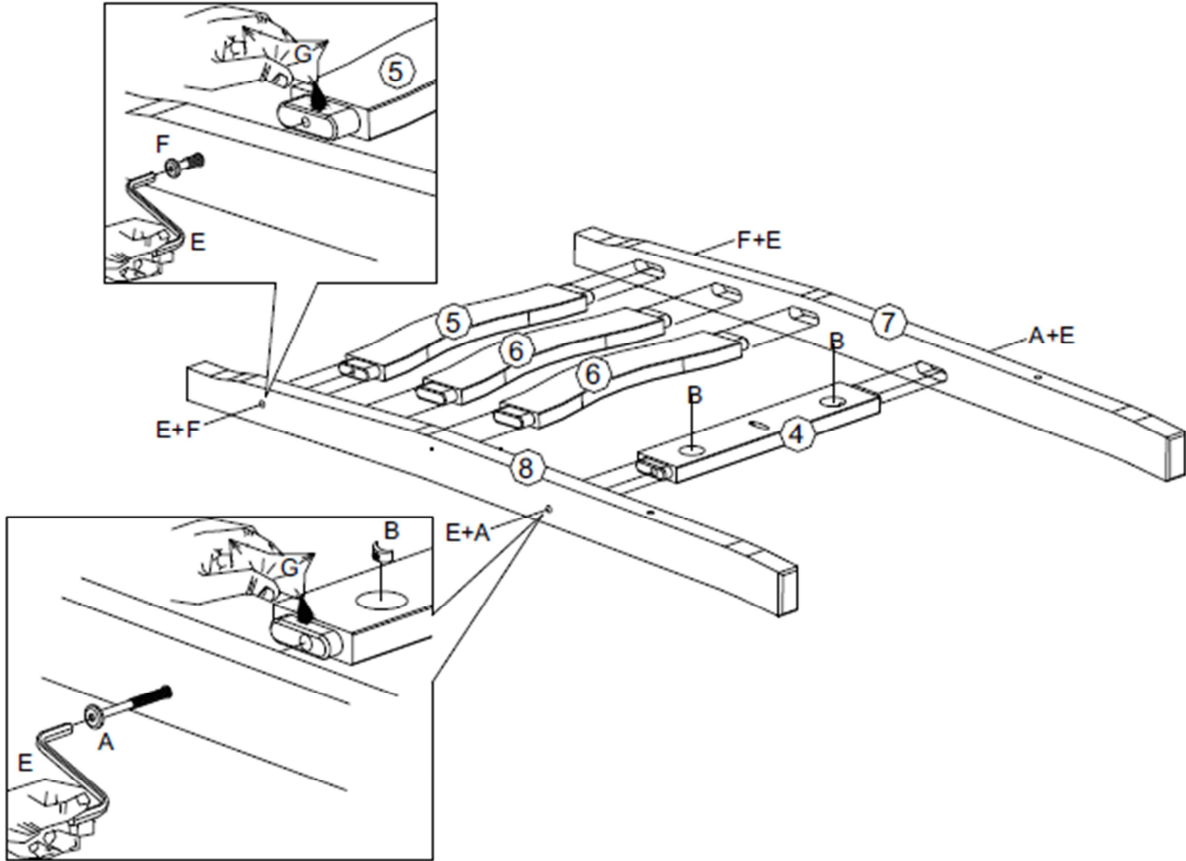


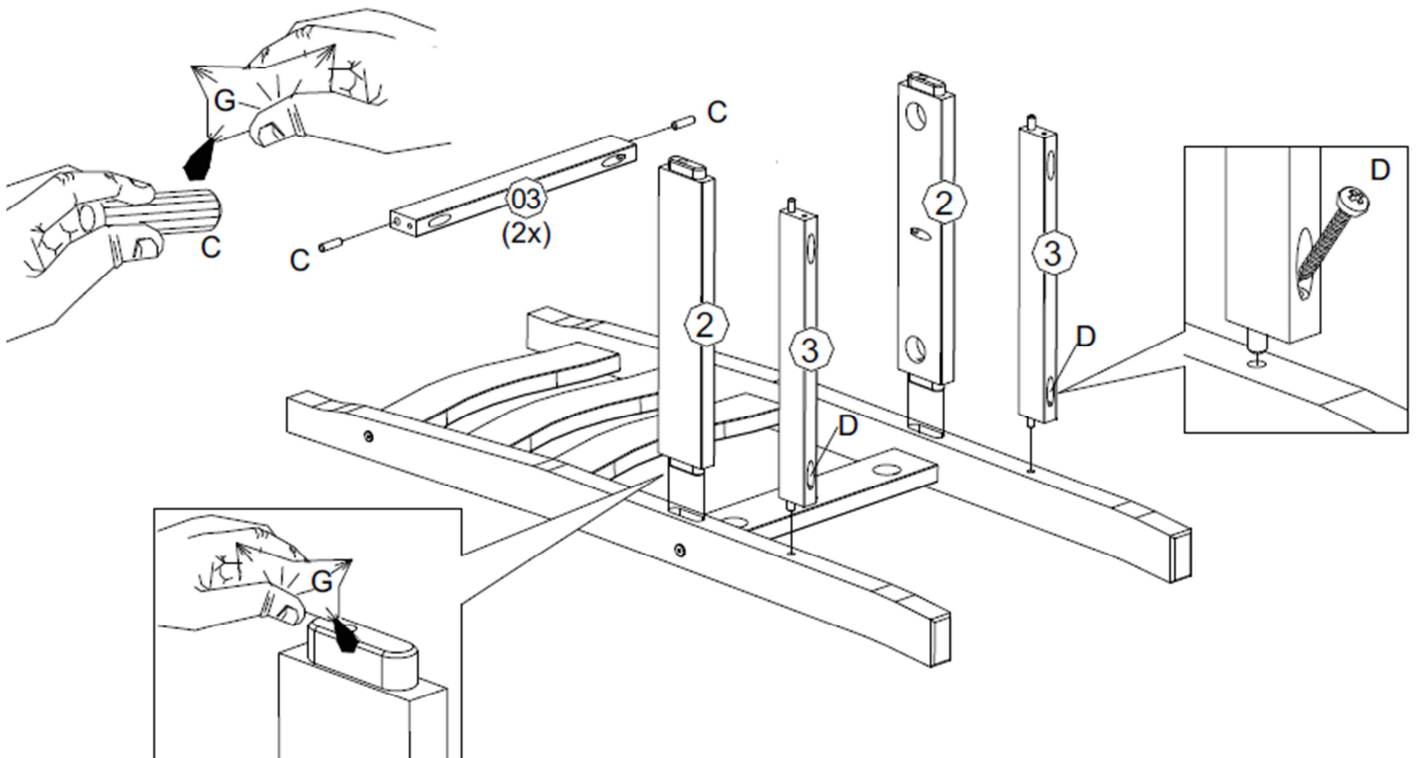
Parts List (per chair)			Hardware List (per chair)		
Part	Description	Qty	Part	Description	Qty
1	Front Leg Frame	1	A	¼ x 80 mm Bolt	6
2	Top Side Rail	2	B	¼ Elliptical Nut	6
3	Bottom Side Rail	2	C	8 x 30 mm Wooden Dowel	4
4	Seat Back Rail	1	D	3.5 x 35 mm Screw	8
5	Top Back Rail	1	E	Allen Key	1
6	Back Rail	2	F	7 x 50 mm Bolt	2
7	Right Back Post	1	G	Glue	1
8	Left Back Post	1	<b>** You will need a small mallet and a screwdriver</b>		
9	Seat Pad	1			



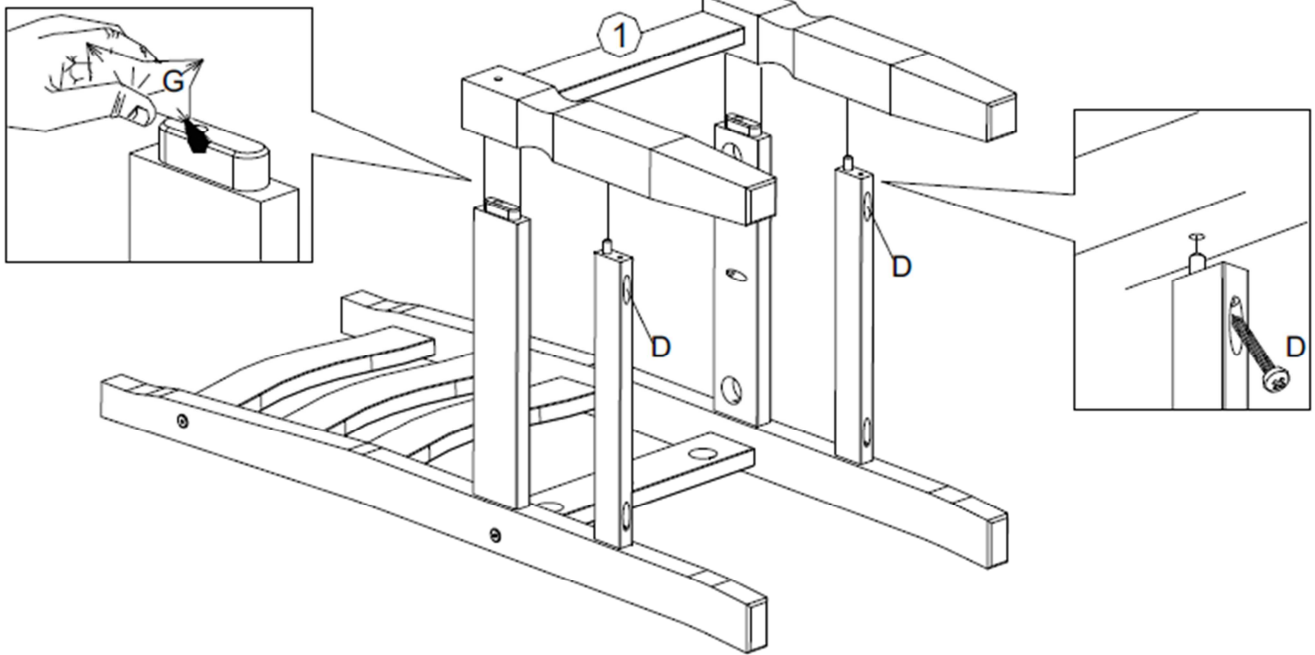
**Step 1:** Assemble the components for the back frame using hardware parts A, B, E, F and G  
**DO NOT use any power tools as this may damage the frame and will invalidate any claim**



**Step 2:** Attach the top side rail (2) and bottom side rails (3) using hardware parts C, D and G with a small mallet and screwdriver (not provided)  
**DO NOT use any power tools as this may damage the frame and will invalidate any claim**



**Step 3:** Attach the front frame (1) using hardware parts D and G with a screwdriver (not provided)  
**DO NOT use any power tools as this may damage the frame and will invalidate any claim**



**Step 4:** Secure the frame using hardware parts A, B and E  
**DO NOT use any power tools as this may damage the frame and will invalidate any claim**

