



Birlea

Suppliers of inspiration

Vendor: S000139



ASSEMBLY INSTRUCTIONS LYNX 2 DOOR SLIDING ROBE WITH MIRROR

IMPORTANT: READ THESE INSTRUCTIONS CAREFULLY BEFORE ASSEMBLING OR USING YOUR LYNX 2 DOOR SLIDING ROBE WITH MIRROR.

PLEASE KEEP THESE INSTRUCTIONS FOR FUTURE REFERENCE.

HEALTH & SAFETY:

DO NOT use this item if any parts are missing, damaged or worn.

DO NOT use this item unless all fixings are secured.

Please keep small parts out of reach of children.

Always use on a level, even surface.

CARE & MAINTENANCE:

Assemble in the room of use.

Assemble on a soft, clean surface to prevent damages.

Assembly should be carried out with this item laying flat, not standing upright.

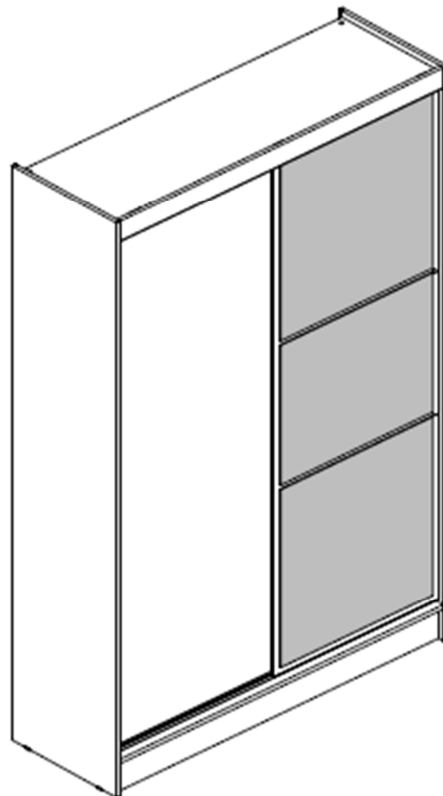
To remove the printed numbers on the pieces, use a moistened cloth.

Periodically check all screws & fixings to ensure they are secure.

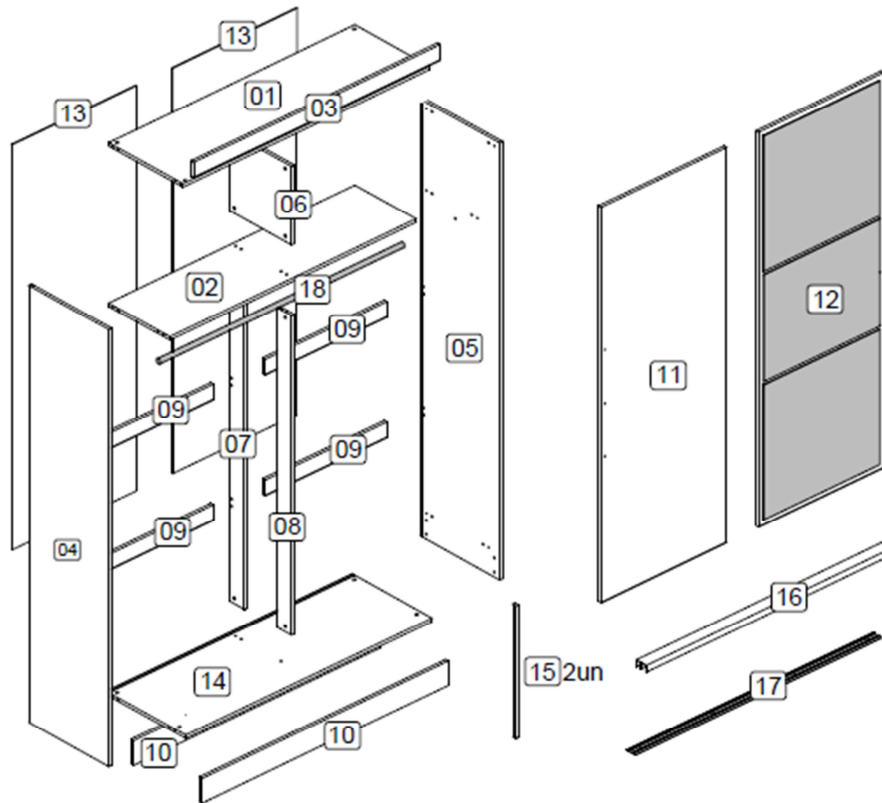
DO NOT push the bed frame as this will damage the legs.


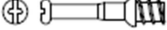



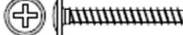


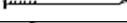

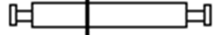




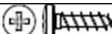




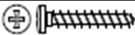
Always lift the bed with two people to reposition.

Keep any sharp objects away from the frame.



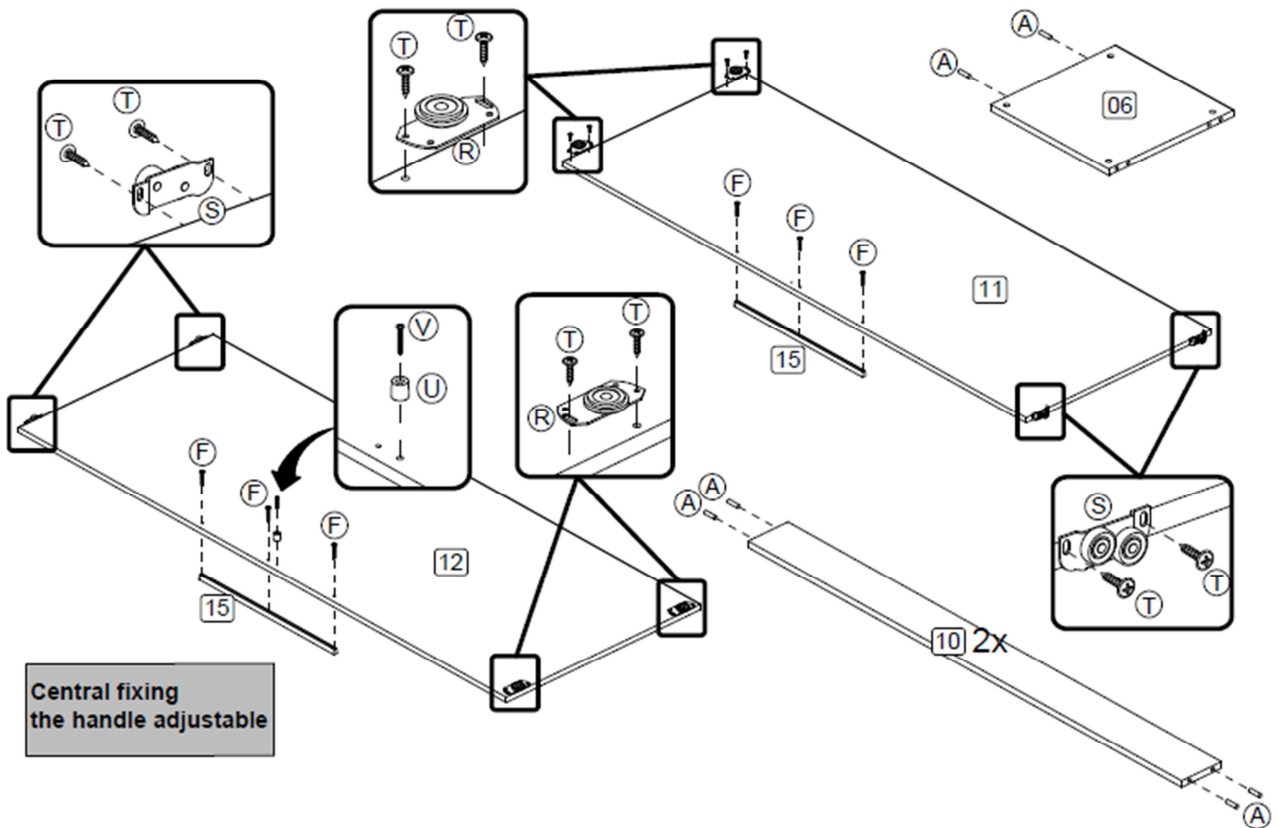
www.birlea.com



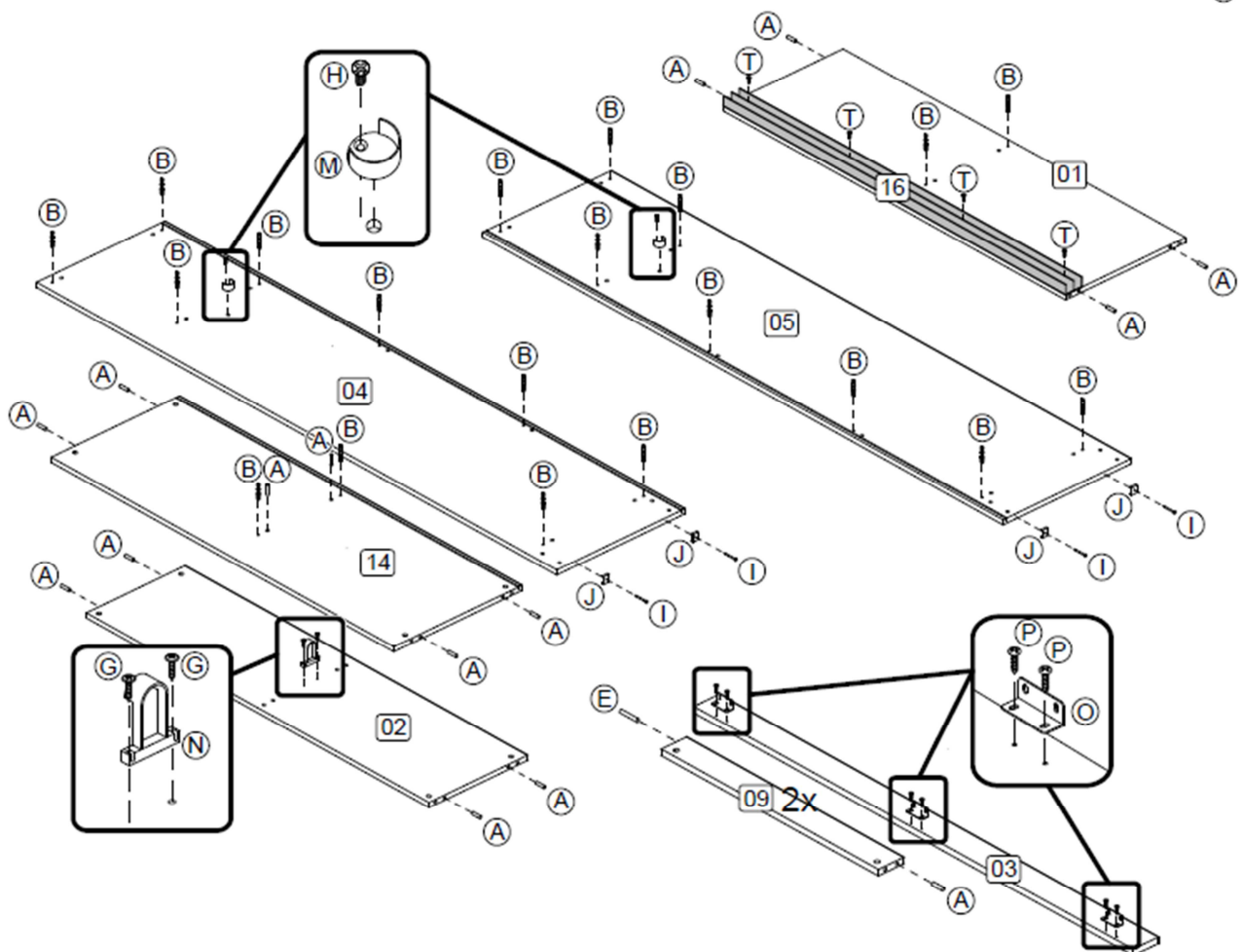
Parts List				Hardware List (found in box 2)		
Part	Description	Box	Qty	Part	Description	Qty
1	Top Panel	2	1	A	8 x 30 mm Wooden Dowel 	28
2	Shelf	1	1	B	Simple Minifix Screw 	20
3	Top Plinth	1	1	C	Cam Lock 	28
4	Left Panel	1	1	D	Plastic Cap 	14
5	Right Panel	1	1	E	8 x 50 mm Wooden Dowel 	4
6	Shelf Divider	1	1	F	3.5 x 25 mm Screw 	6
7	Back Support	1	1	G	3.5 x 20 mm Screw 	2
8	Front Support	1	1	H	3.5 x 14 mm Screw 	2
9	Back Rail	1	4	I	10 x 10 mm Tack 	25
10	Bottom Plinth	1	2	J	Small Plastic Foot 	4
11	Left Door	2	1	K	Double Minifix Screw 	4
12	Right Door (mirrored)	2	1	L	Metal Claw 	7
13	Back Panel	2	2	M	Rail Support 	2
14	Base Panel	2	1	N	Open Rail Support 	1
15	Handle	1	2	O	Metallic Angle Plates 	3
16	Top Runner	1	1	P	3.5 x 14 mm Screw 	12
17	Bottom Runner	1	1	R	Lower Pulley 	4
18	Hanging Rail	1	1	S	Upper Pulley 	4
** You will need a small mallet and a screwdriver for assembly.				T	3.5 x 14 mm Screw 	32
				U	Door Stopper 	1
				V	4.5 x 25 mm Screw 	1

Step 1: Prepare the parts for assembly using hardware parts A, B, E, G, H, I, J, K, L, M, N and O. You will need to use a small mallet and a screwdriver (not provided).

DO NOT use any power tools as this may damage the frame and will invalidate any claim.

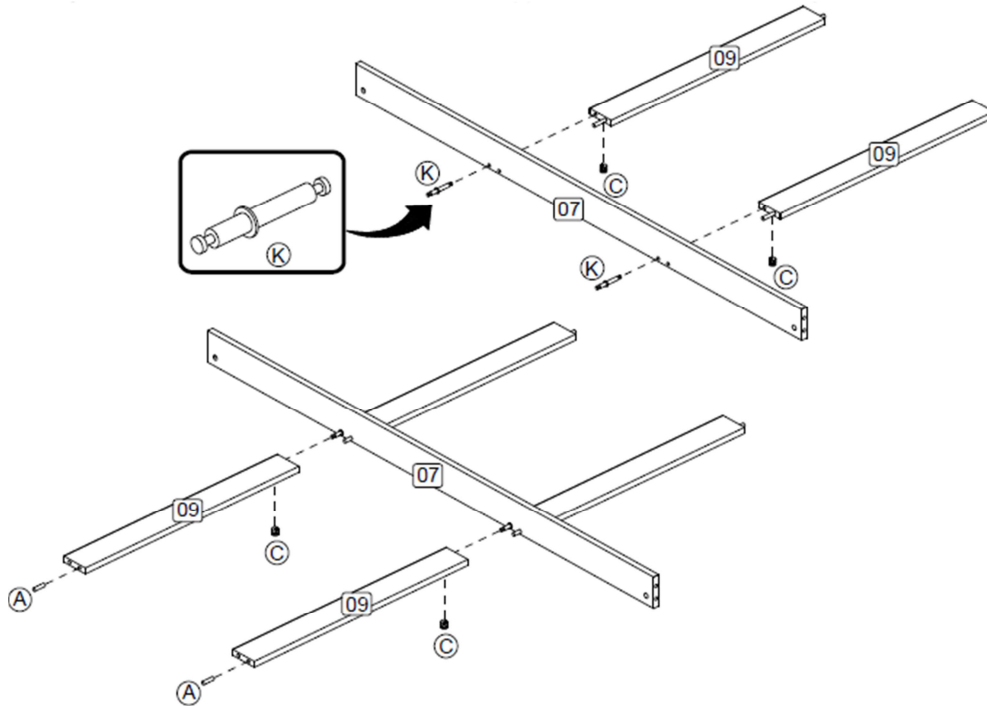


Central fixing
the handle adjustable



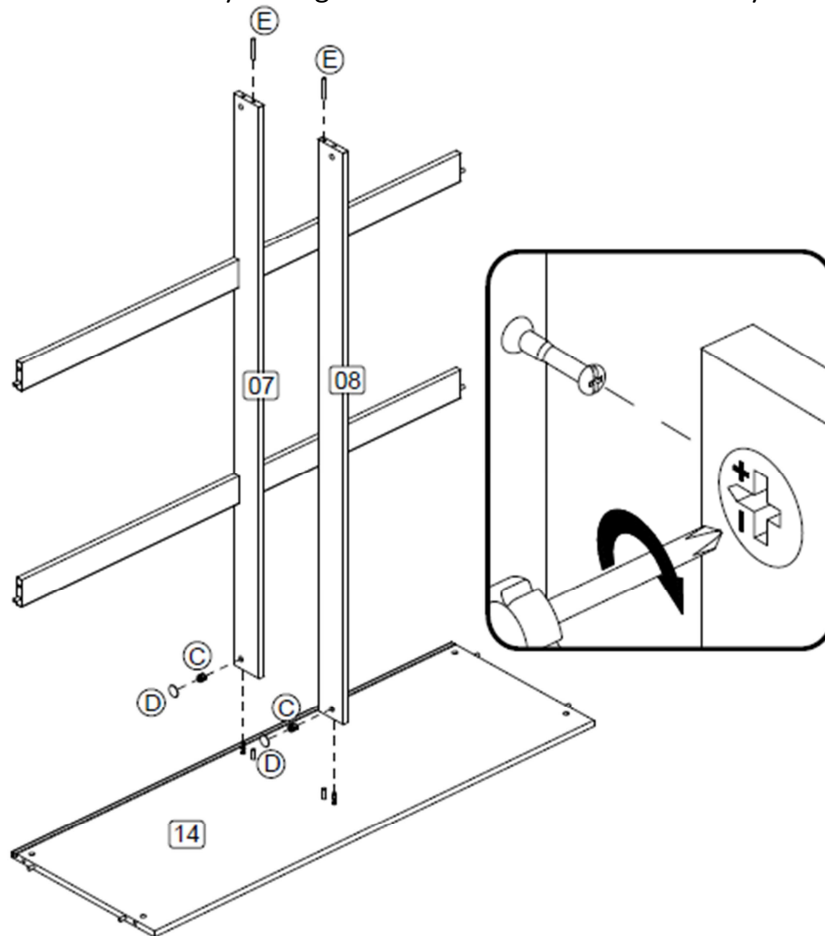
Step 2: Attach the back rails (9) to the back support (7) using hardware parts A, C and K with a small mallet and screwdriver (not provided).

DO NOT use any power tools as this may damage the frame and will invalidate any claim.

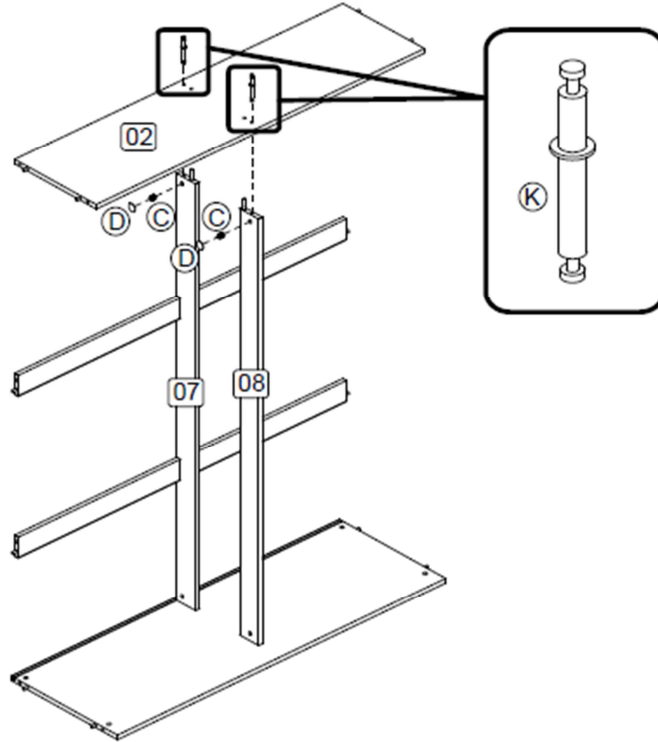


Step 3: Attach the back support (7) and front support (8) to the base panel (14) using hardware parts C, D and E with a small mallet and a screwdriver (not provided).

DO NOT use any power tools as this may damage the frame and will invalidate any claim.

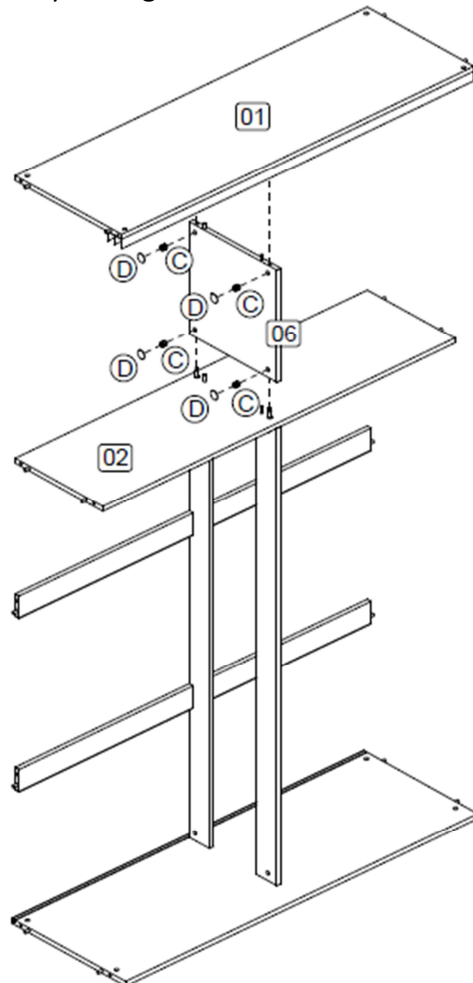


Step 4: Attach the shelf (2) using hardware parts C, D and K with a screwdriver (not provided).
DO NOT use any power tools as this may damage the frame and will invalidate any claim.



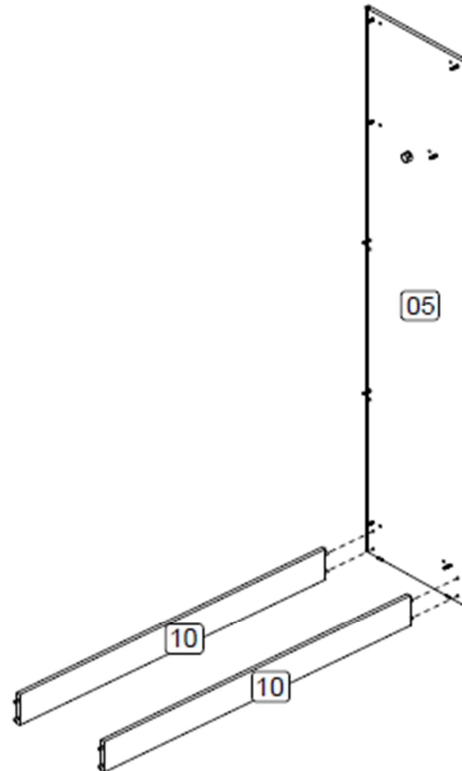
Step 5: Attach the shelf divider (6) and the top panel (1) using hardware parts C and D with a screwdriver (not provided).

DO NOT use any power tools as this may damage the frame and will invalidate any claim.



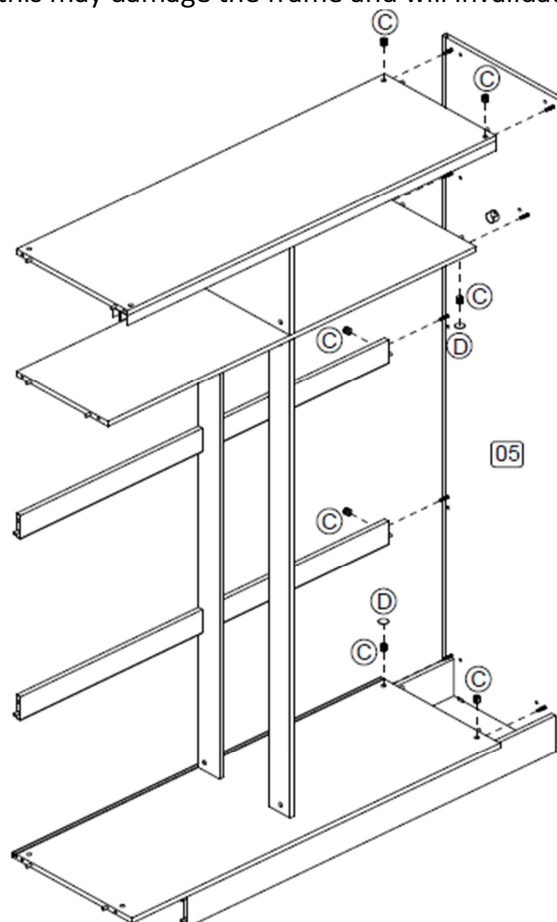
Step 6: Attach the bottom plinths (10) to the right panel (5).

DO NOT use any power tools as this may damage the frame and will invalidate any claim.



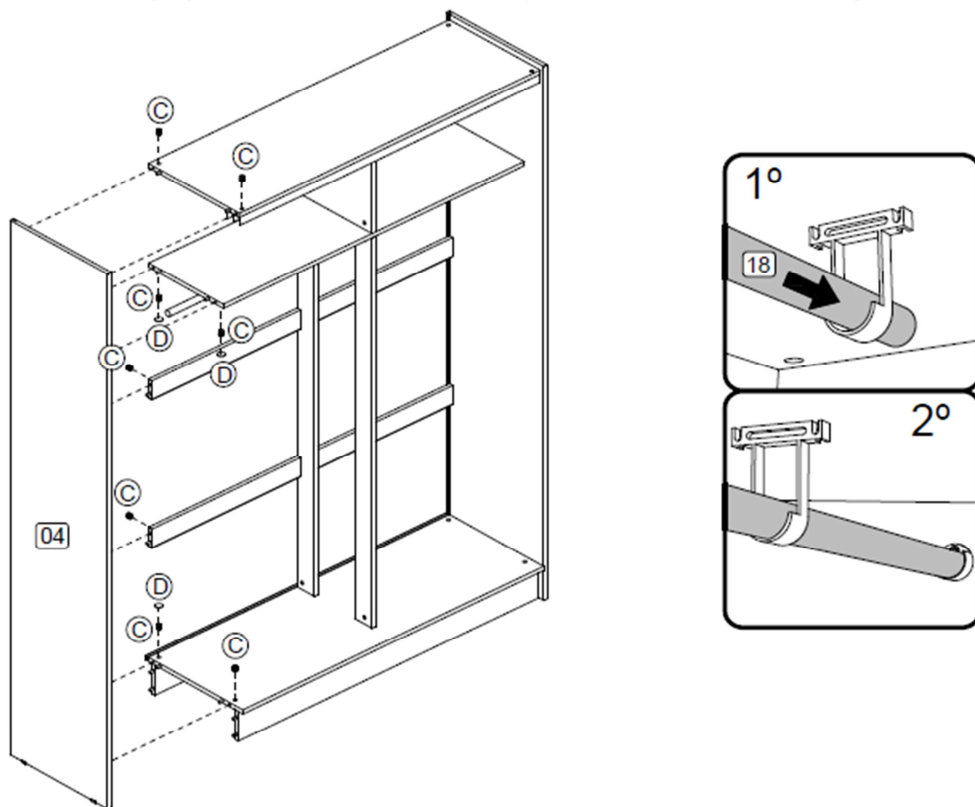
Step 7: Join the assembled inner frame section to the assembled side frame section using hardware parts C and D with a screwdriver (not provided).

DO NOT use any power tools as this may damage the frame and will invalidate any claim.



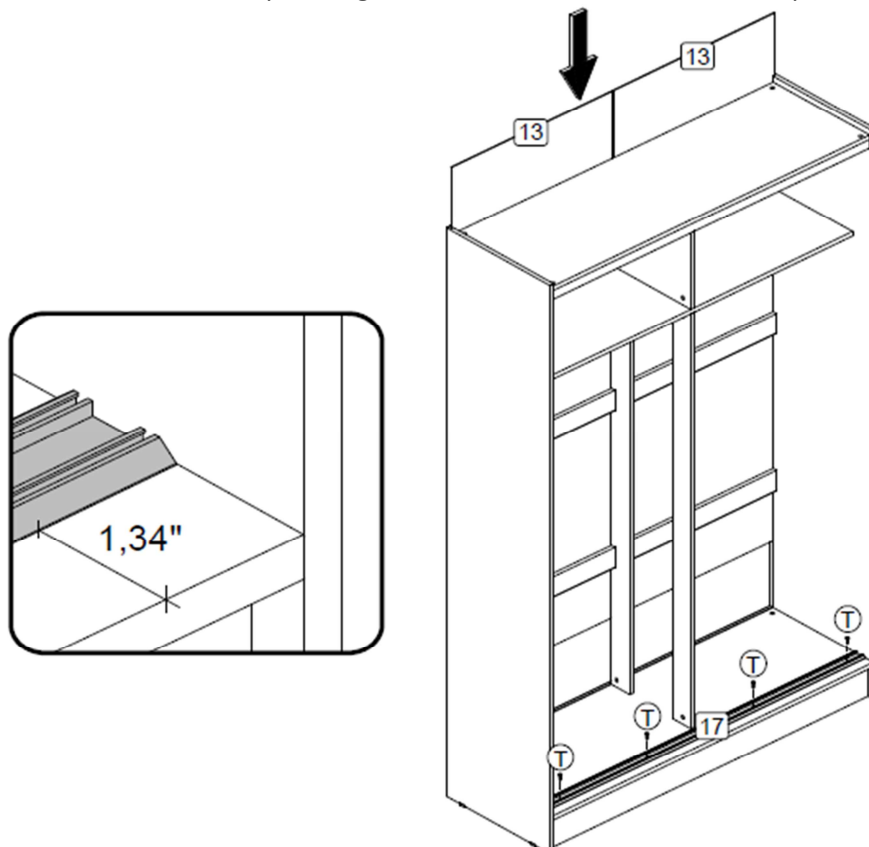
Step 8: Position the hanging rail (18) and attach the left panel (4) using hardware parts C and D with a screwdriver (not provided).

DO NOT use any power tools as this may damage the frame and will invalidate any claim.



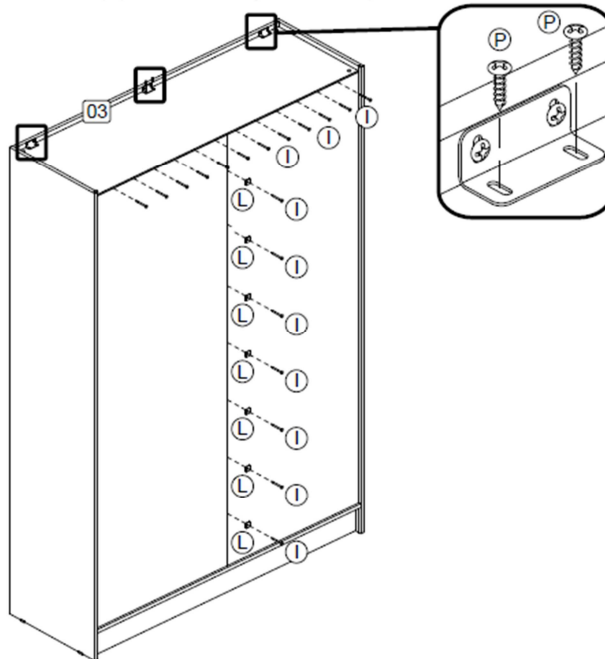
Step 9: Position the back panels (13) and attach the bottom runner (17) using hardware part T and a screwdriver (not provided).

DO NOT use any power tools as this may damage the frame and will invalidate any claim.



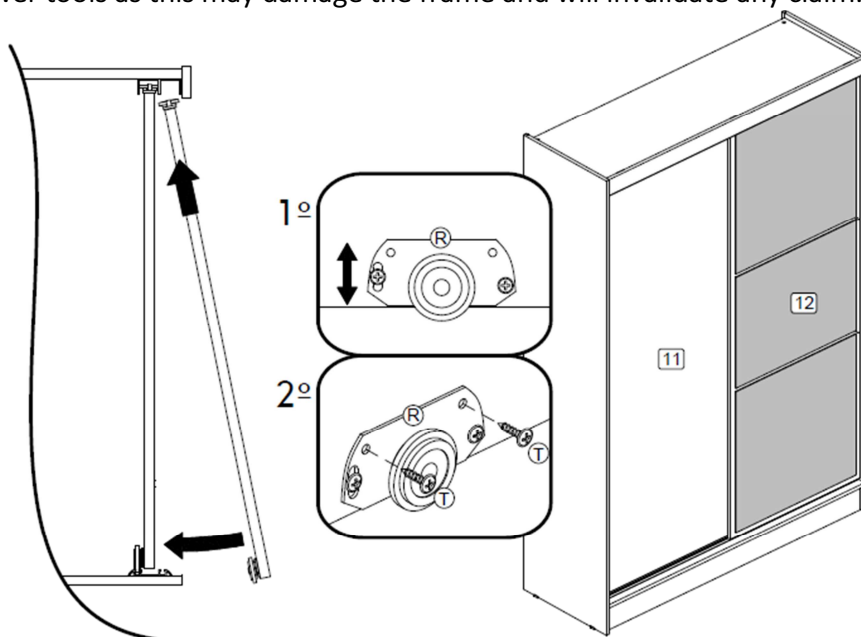
Step 10: Secure the back panels (13) using hardware parts I and L with a small mallet (not provided). Attach the top plinth (3) using hardware part P with a screwdriver (not provided).

DO NOT use any power tools as this may damage the frame and will invalidate any claim.



Step 11: Attach the doors as shown.

DO NOT use any power tools as this may damage the frame and will invalidate any claim.



Additional Information:

- For complete product information, images and dimension diagrams please visit the website www.birlea.com
- If you have any issues with your item please contact the retailer directly you purchased it from who will be able to resolve any issues with Birlea.
- Why don't you send us photos of your assembled furniture to info@birlea.com to be shared in our #birleahome feature on Instagram.