

PLEASE KEEP THESE INSTRUCTIONS FOR FUTURE REFERENCE.

HEALTH & SAFETY:

DO NOT use this item if any parts are missing, damaged or worn.

DO NOT use this item unless all fixings are secured.

Please keep small parts out of reach of children.

Always use on a level, even surface.

CARE & MAINTENANCE:

Assemble in the room of use.

Assembly should be carried out with this item laying flat, not standing upright.

Assemble on a soft, clean surface to prevent damages.

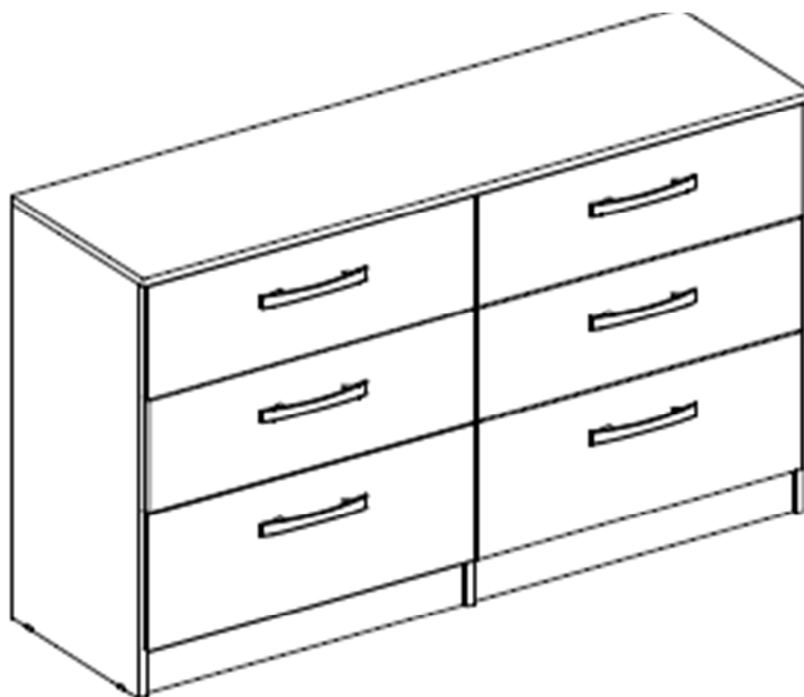
To remove the printed numbers on the pieces, use a moistened cloth.

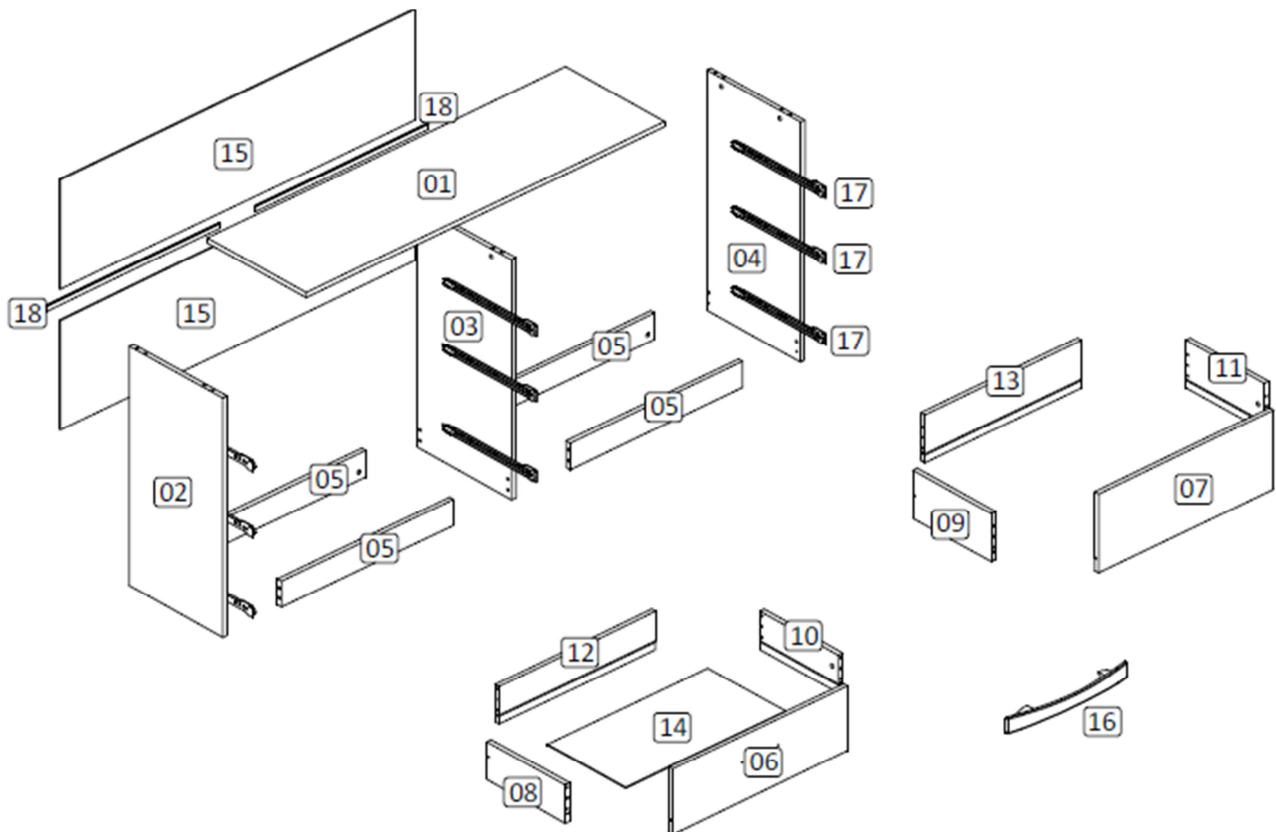
Periodically check all screws & fixings to ensure they are secure.




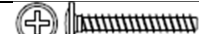
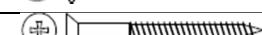
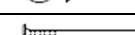
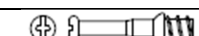


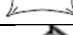

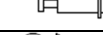


DO NOT push the item as this will damage the legs.

Always lift the item with two people to reposition.

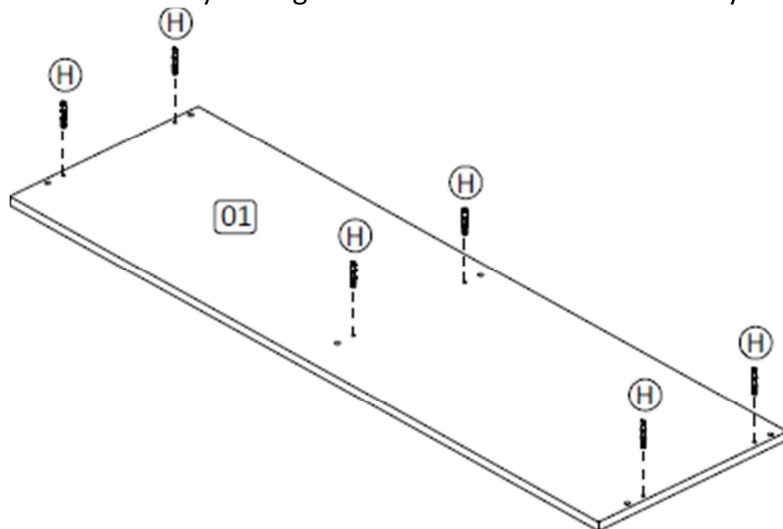
Keep any sharp objects away from the item.



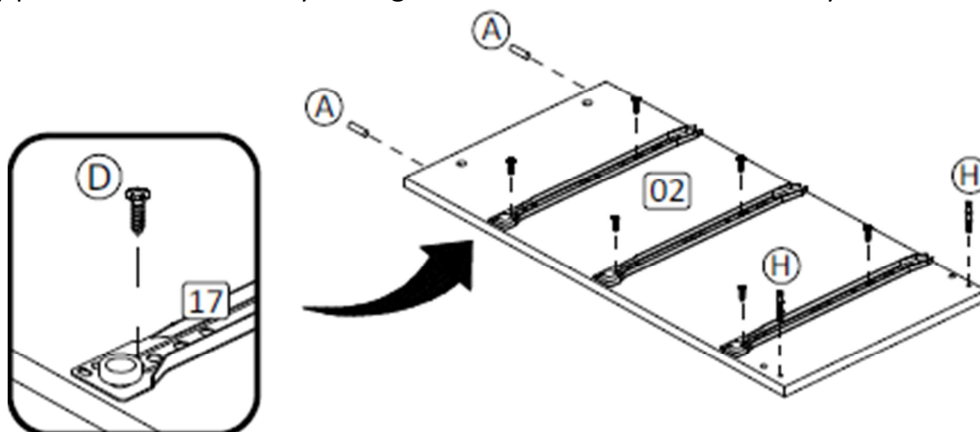


Parts List			Hardware List		
Part	Description	Qty	Part	Description	Qty
1	Top Panel	1	A	8 x 30 mm Wooden Dowel 	58
2	Left Panel	1	C	Plastic Cap 	12
3	Centre Panel	1	D	3 x 14 mm Screw 	36
4	Right Panel	1	E	3.5 x 25 mm Screw 	12
5	Plinth	4	F	4.5 x 45 mm Screw 	12
6	Small Drawer Front	4	G	10 x 10 mm Tack 	45
7	Large Drawer Front	2	H	Simple Minifix Screw 	22
8	Left Side – Small Drawer	4	I	Cam Lock 	26
9	Left Side – Large Drawer	2	J	Glue 	1
10	Right Side – Small Drawer	4	K	Small Plastic Foot 	6
11	Right Side – Large Drawer	2	L	Double Minifix Screw 	2
12	Small Drawer Back	4	M	6 x 8 mm Screw 	12
13	Large Drawer Back	2	N	8 x 50 mm Wooden Dowel 	2
14	Drawer Base	6	O	Crayon 	3
15	Back Panel	2	** You will need a small mallet and a screwdriver for assembly		
16	Handle	6			
17	Drawer Runners	6			
18	Spine	2			

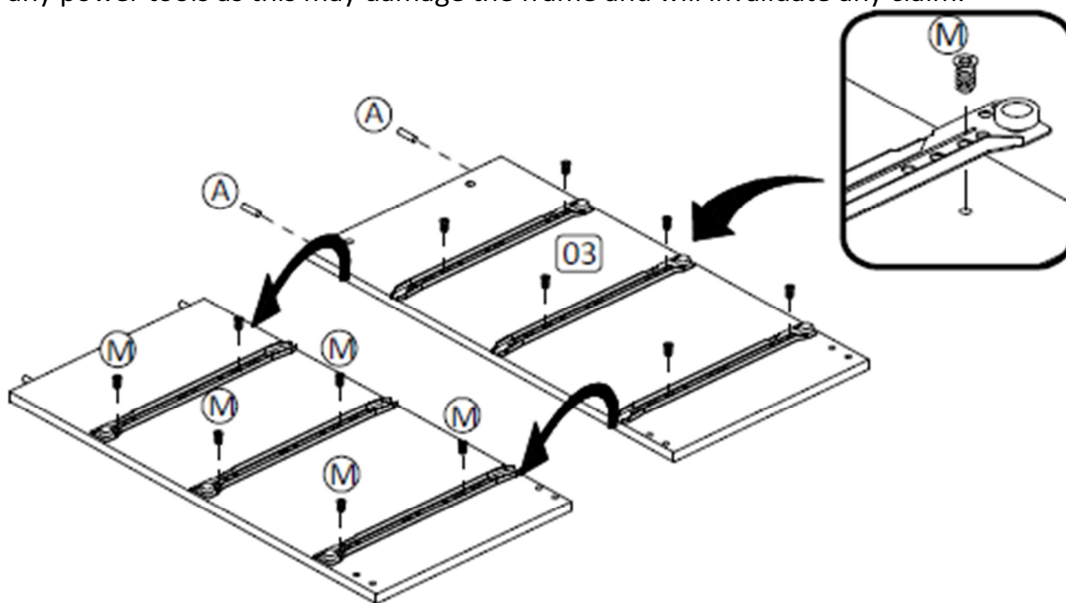
Step 1: Insert hardware part H into the top panel (1) using a screwdriver (not provided). DO NOT use any power tools as this may damage the frame and will invalidate any claim.



Step 2: Attach three drawer runners (17) to the left panel (2) using hardware part D and a screwdriver (not provided). Insert hardware parts A and H using a small mallet and a screwdriver (not provided). DO NOT use any power tools as this may damage the frame and will invalidate any claim.

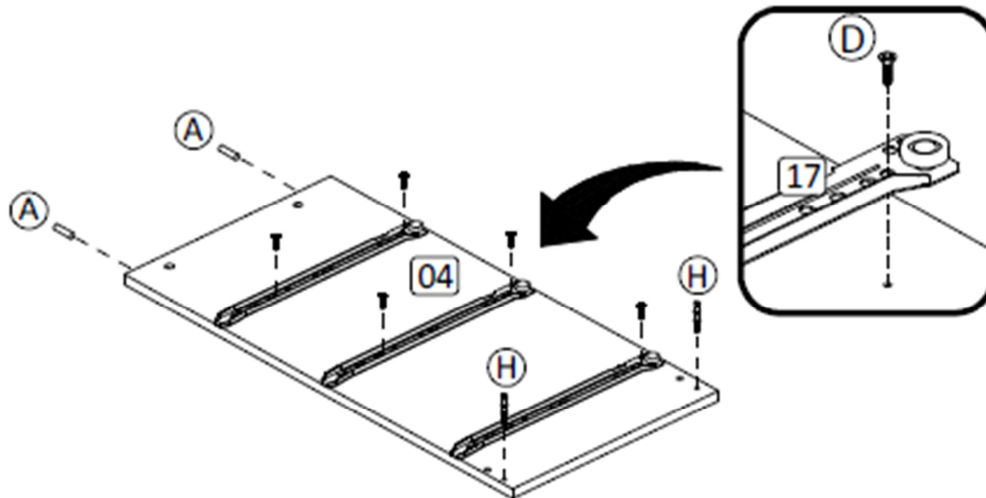


Step 3: Attach three drawer runners (17) to each side of the centre panel (3) using hardware part M and a screwdriver (not provided). Insert hardware part A using a small mallet (not provided). DO NOT use any power tools as this may damage the frame and will invalidate any claim.



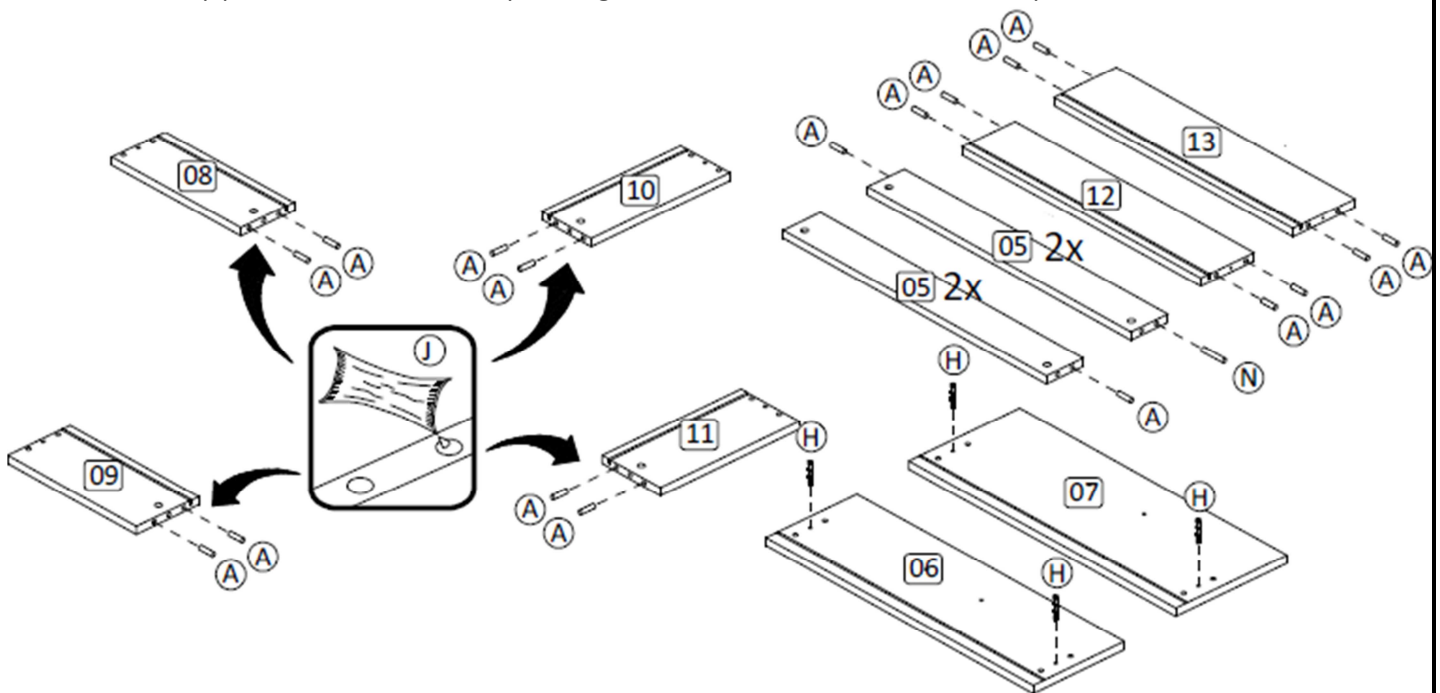
Step 4: Attach the remaining drawer runners (17) to the right panel (4) using hardware part D and a screwdriver (not provided). Insert hardware parts A and H using a small mallet and screwdriver (not provided).

DO NOT use any power tools as this may damage the frame and will invalidate any claim.



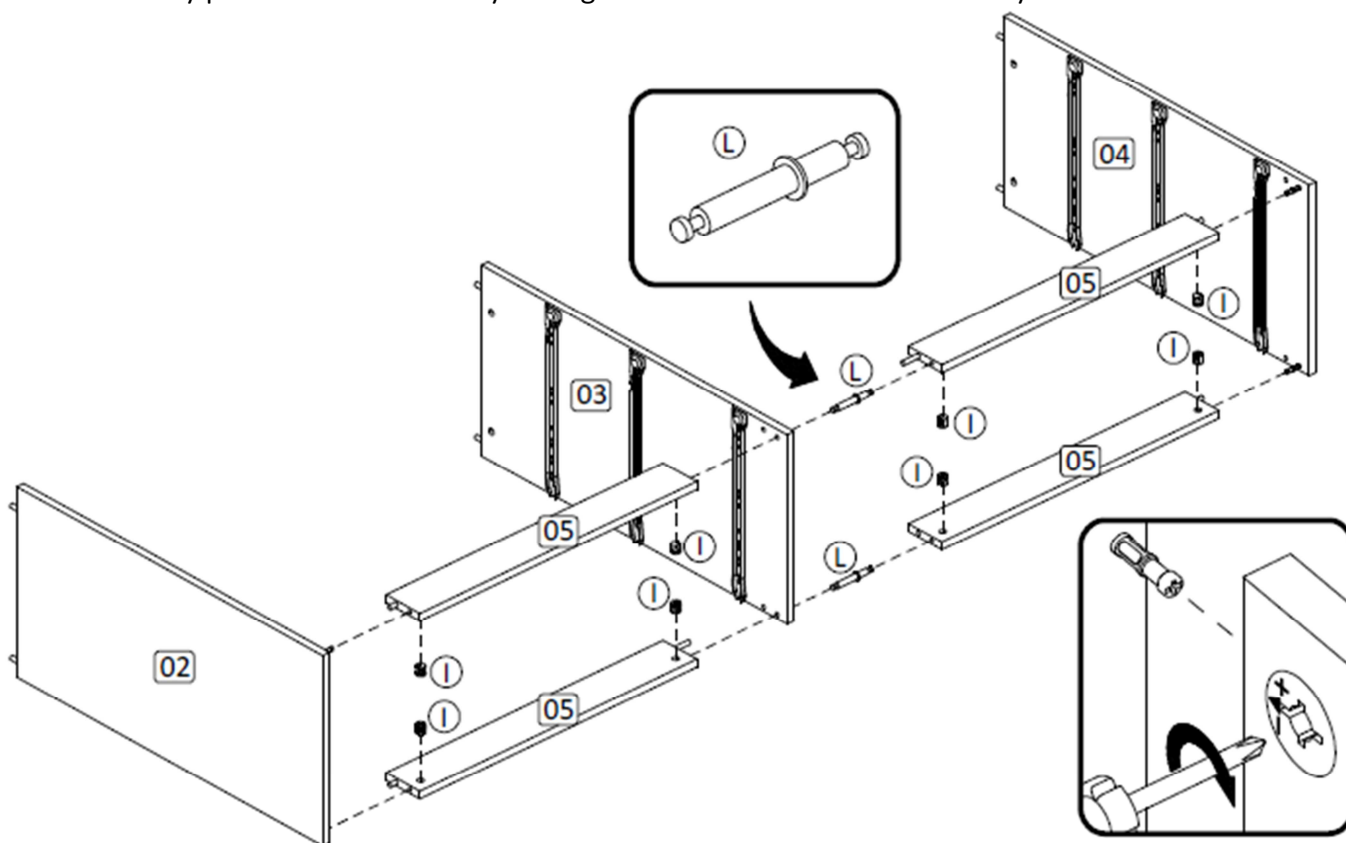
Step 5: Insert hardware parts A, H and N using hardware part J, a small mallet and a screwdriver (not provided).

DO NOT use any power tools as this may damage the frame and will invalidate any claim.



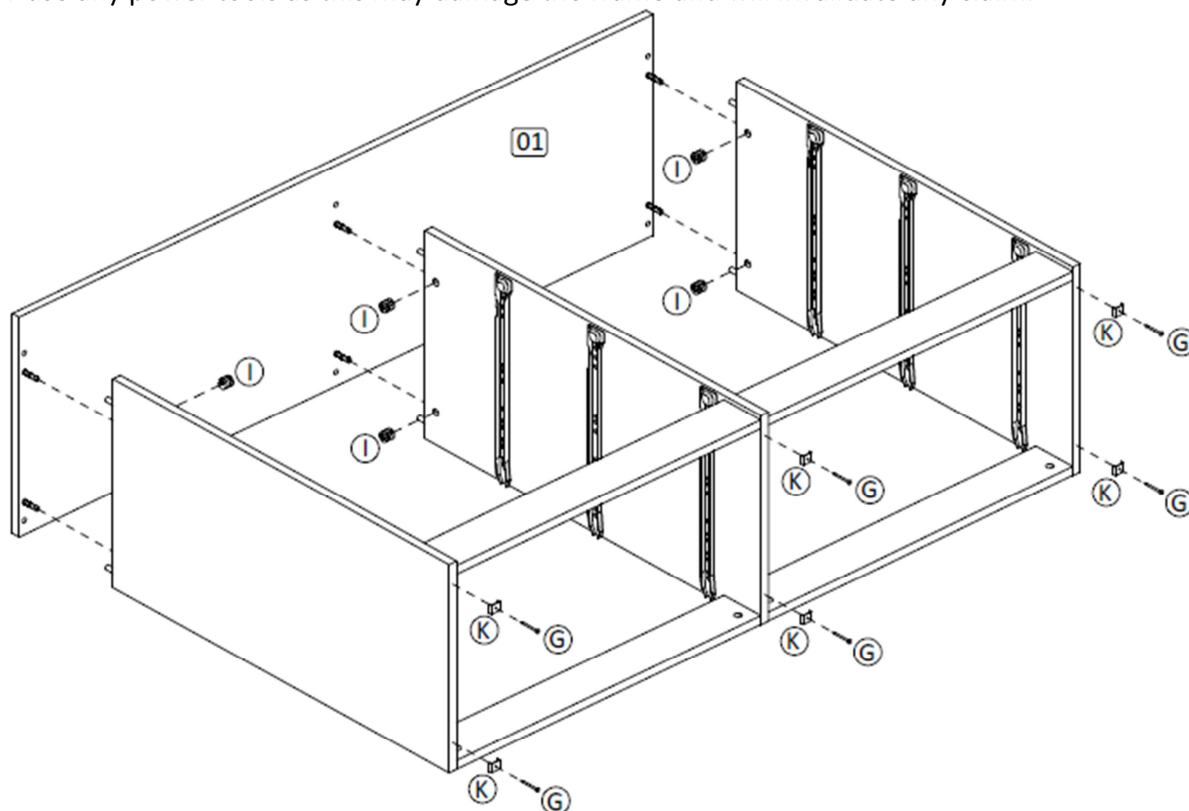
Step 6: Attach the plinths (5) to the left panel (2), centre panel (3) and right panel (4) using hardware parts I and L with a screwdriver (not provided).

DO NOT use any power tools as this may damage the frame and will invalidate any claim.



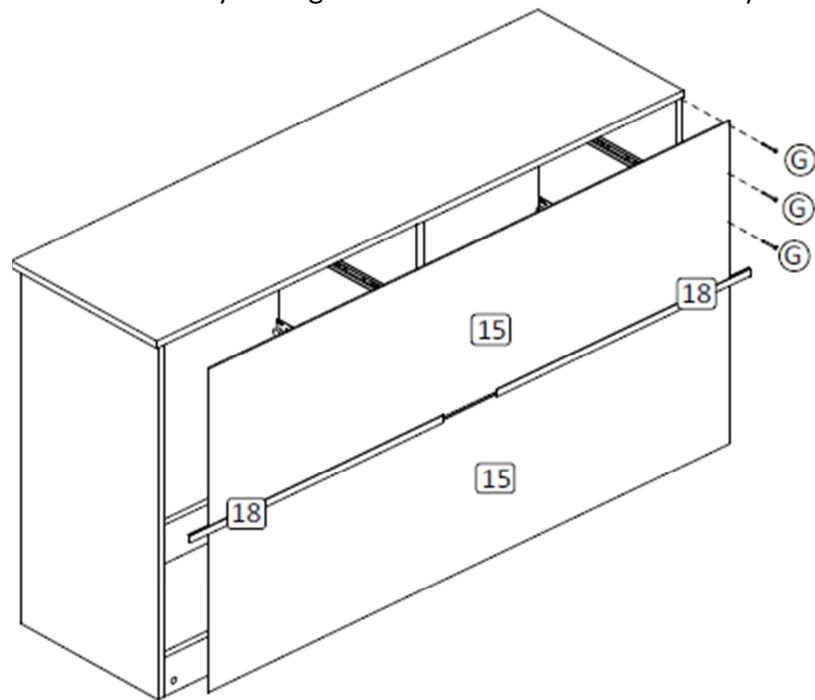
Step 7: Attach the top panel (1) using hardware part I. Attach hardware part K to the base using hardware part G. You will need to use a screwdriver (not provided).

DO NOT use any power tools as this may damage the frame and will invalidate any claim.



Step 8: Connect the back panels (15) using the spine (18) and secure using hardware part G and a small mallet (not provided).

DO NOT use any power tools as this may damage the frame and will invalidate any claim.



Step 9: Assemble the drawer components using hardware parts C, D, E, F, I, J.

DO NOT use any power tools as this may damage the frame and will invalidate any claim.

