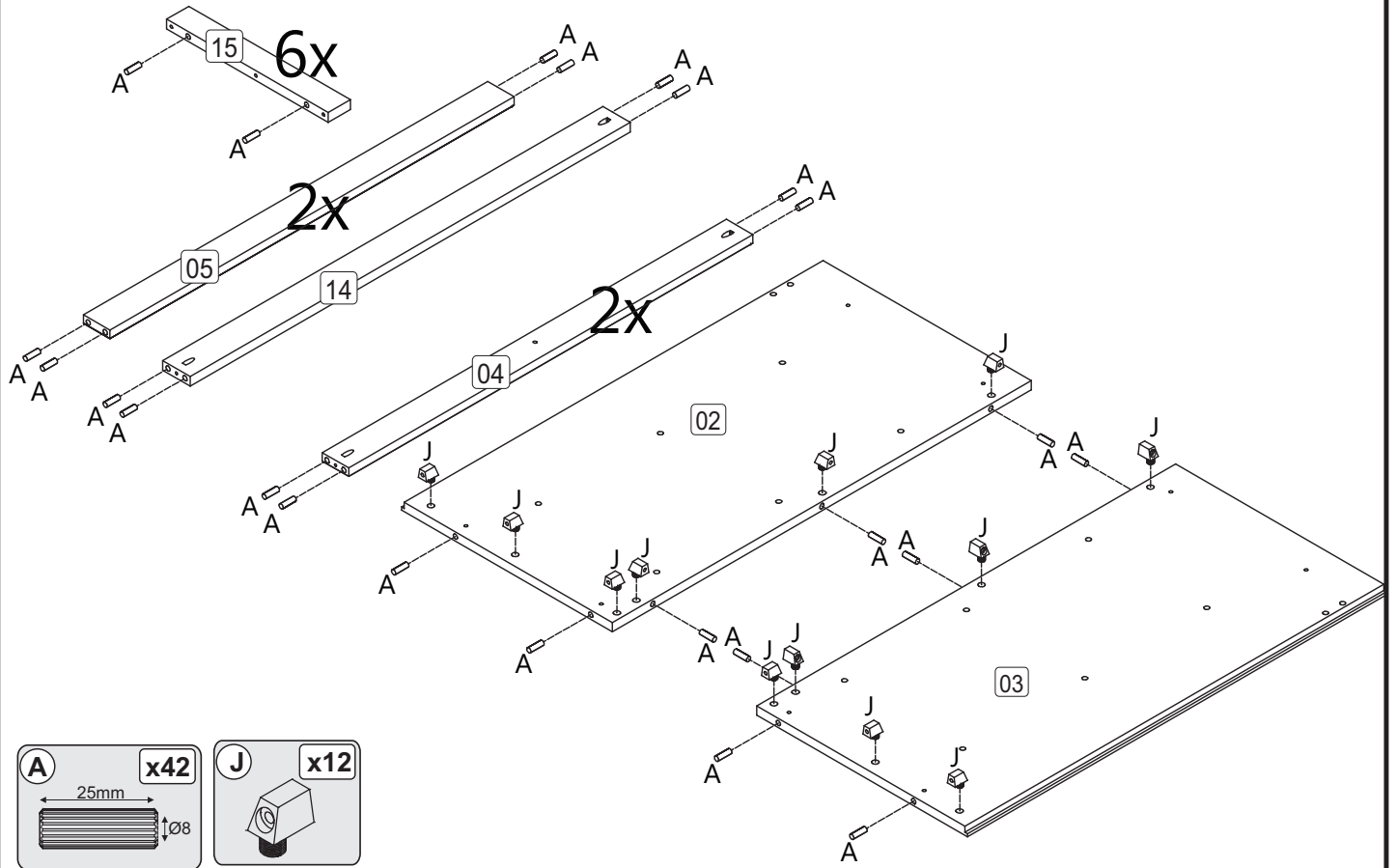


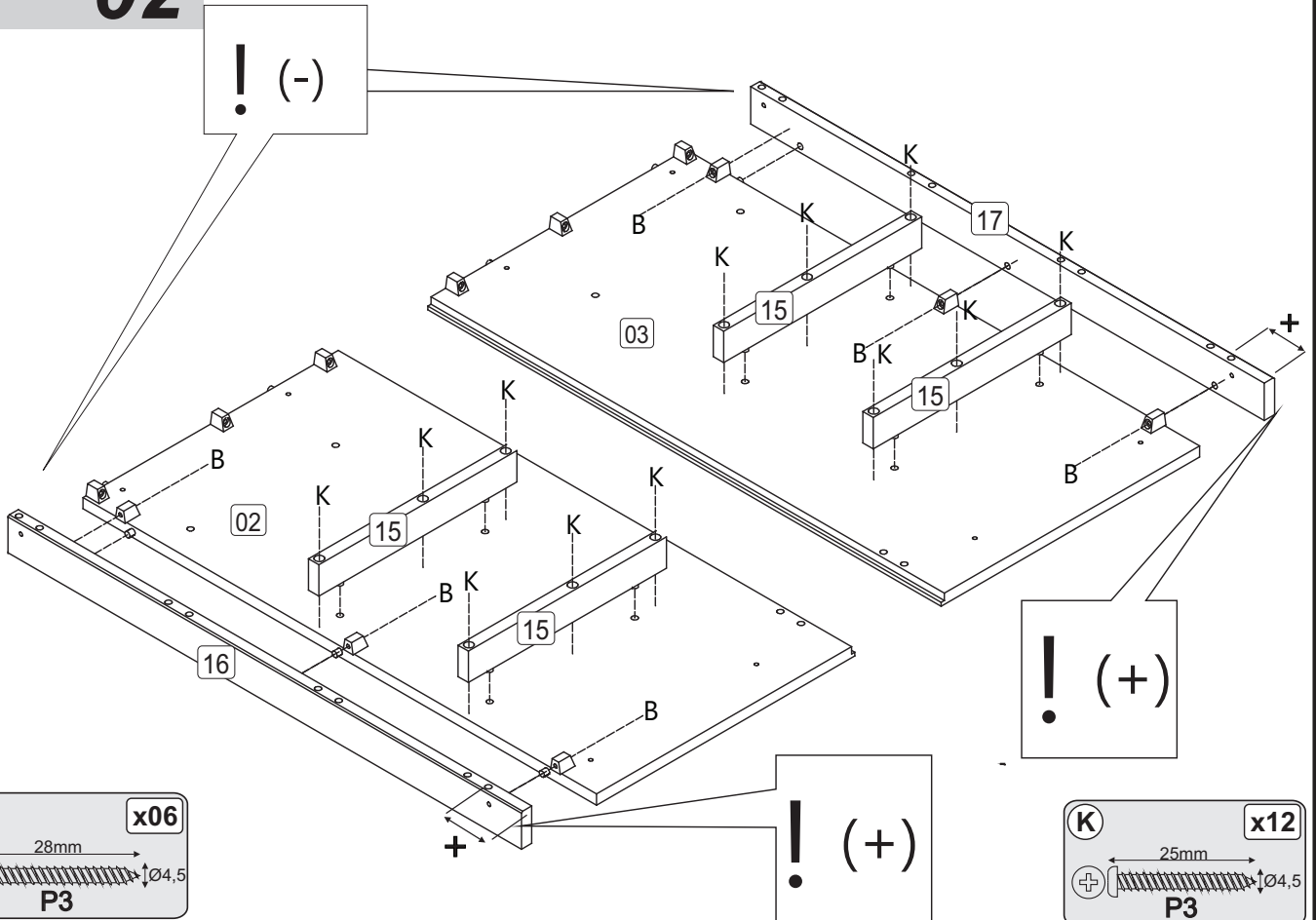
# 01



**A** x42  
25mm  
Ø8

**J** x12

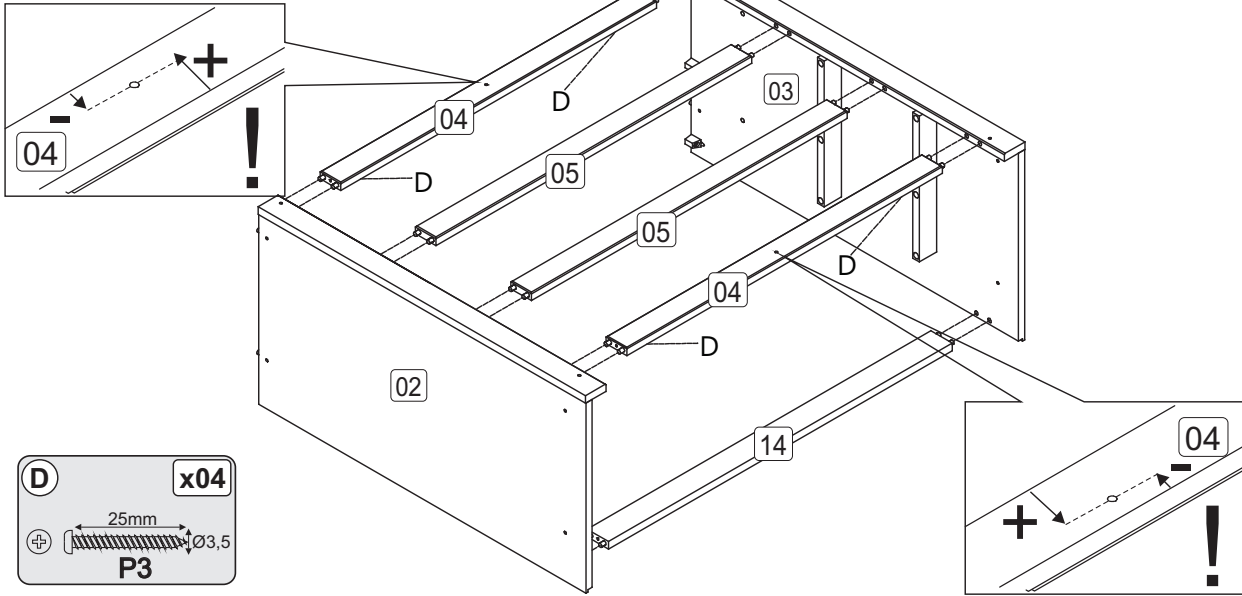
# 02



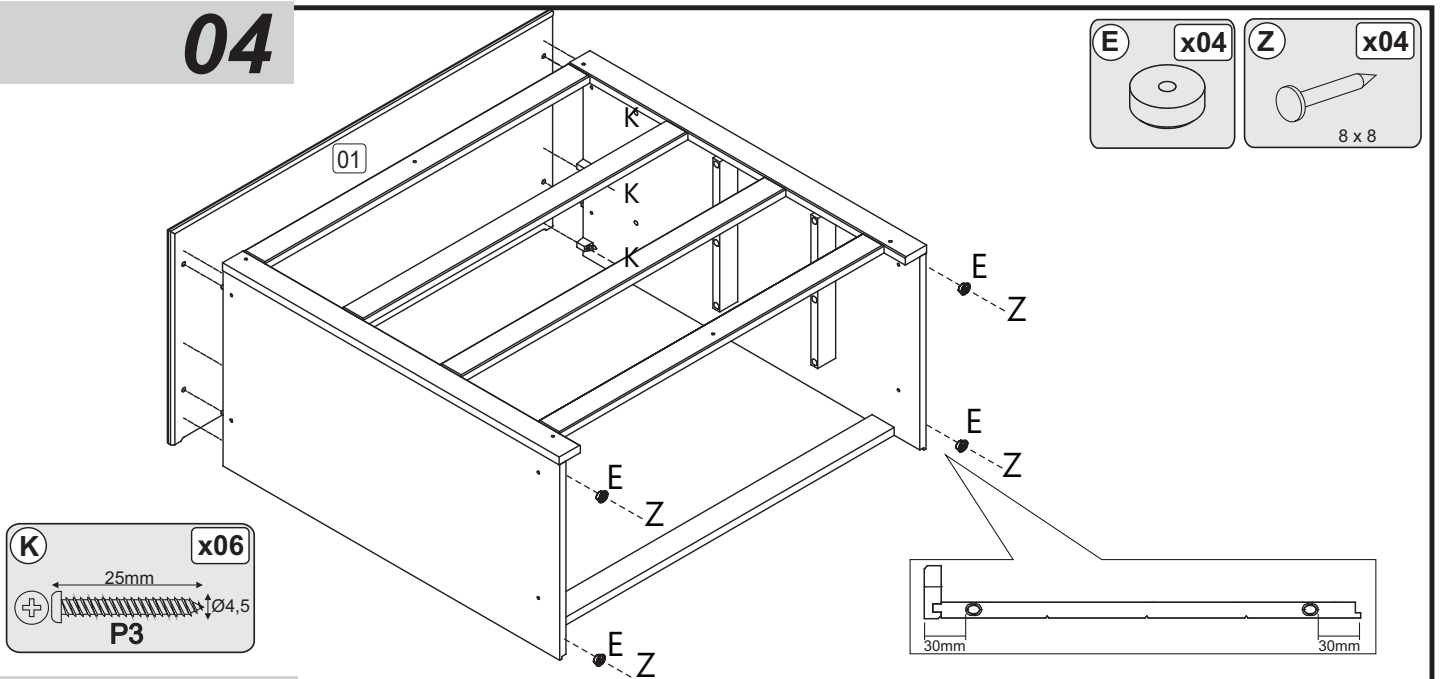
**B** x06  
28mm  
P3  
Ø4.5

**K** x12  
25mm  
P3  
Ø4.5

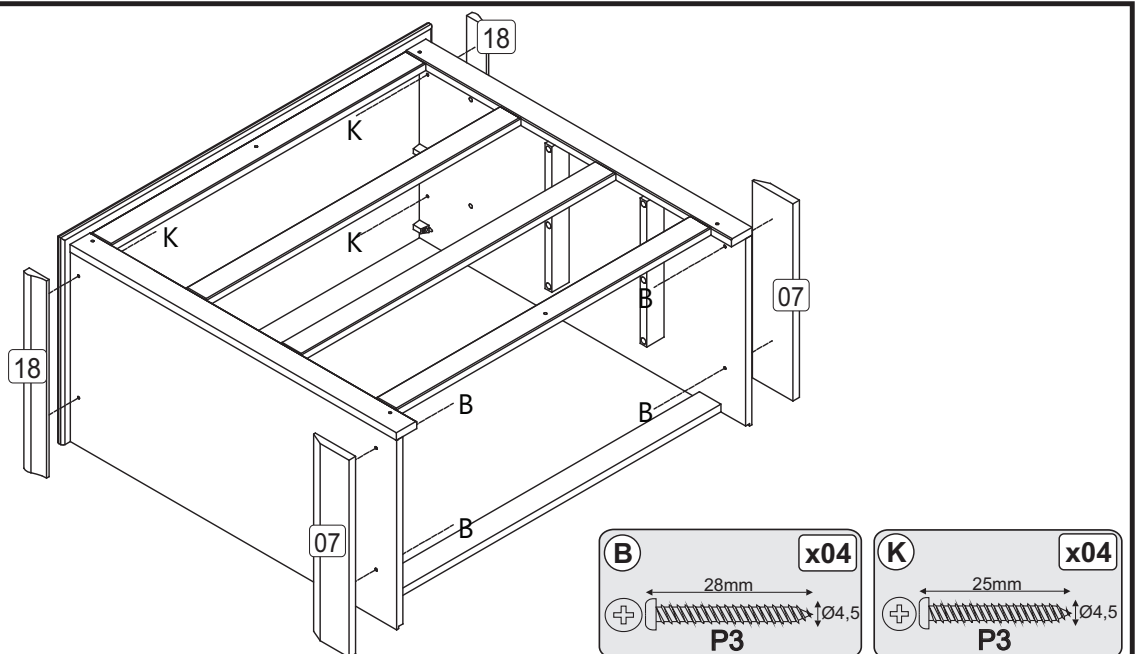
# 03



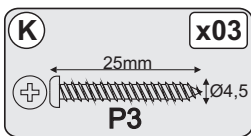
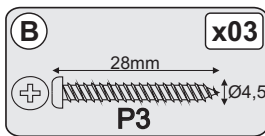
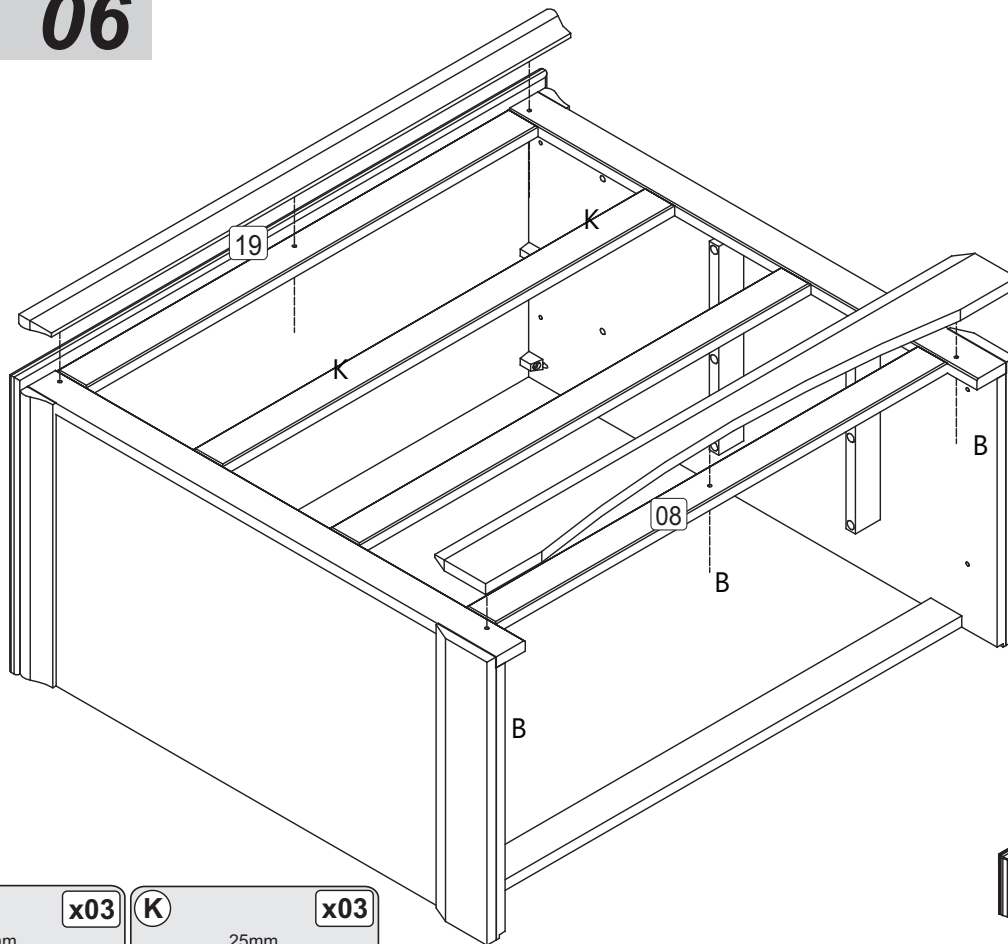
# 04



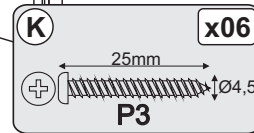
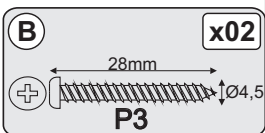
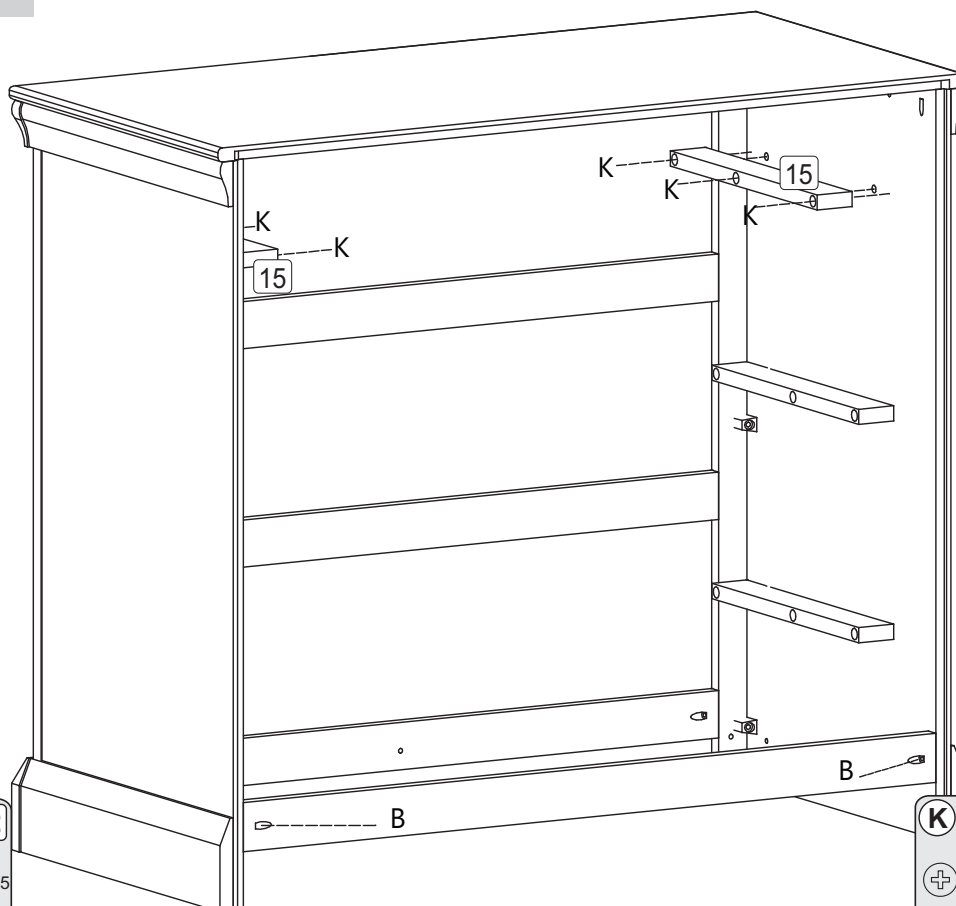
# 05



# 06

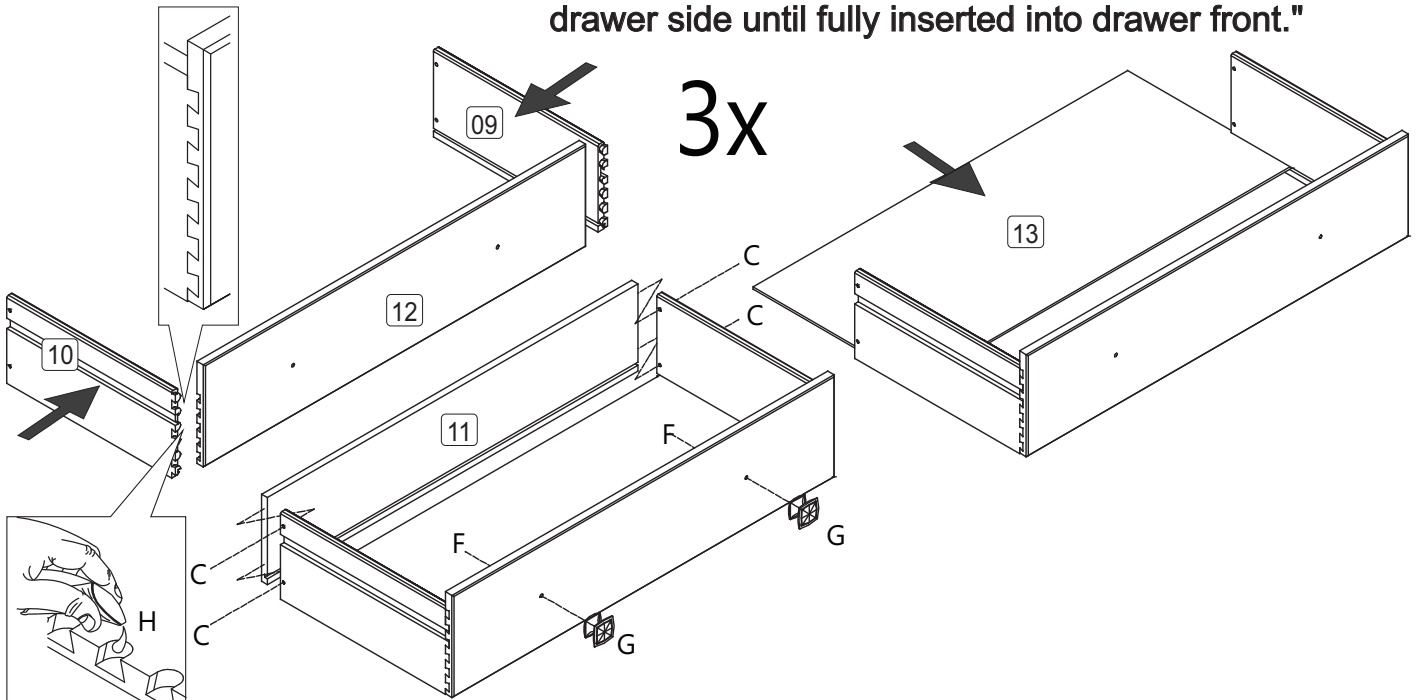


# 07

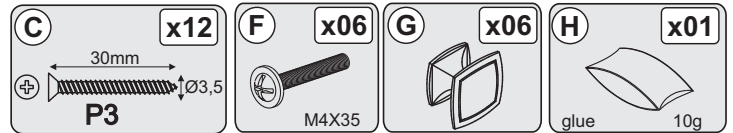


# 08

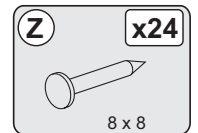
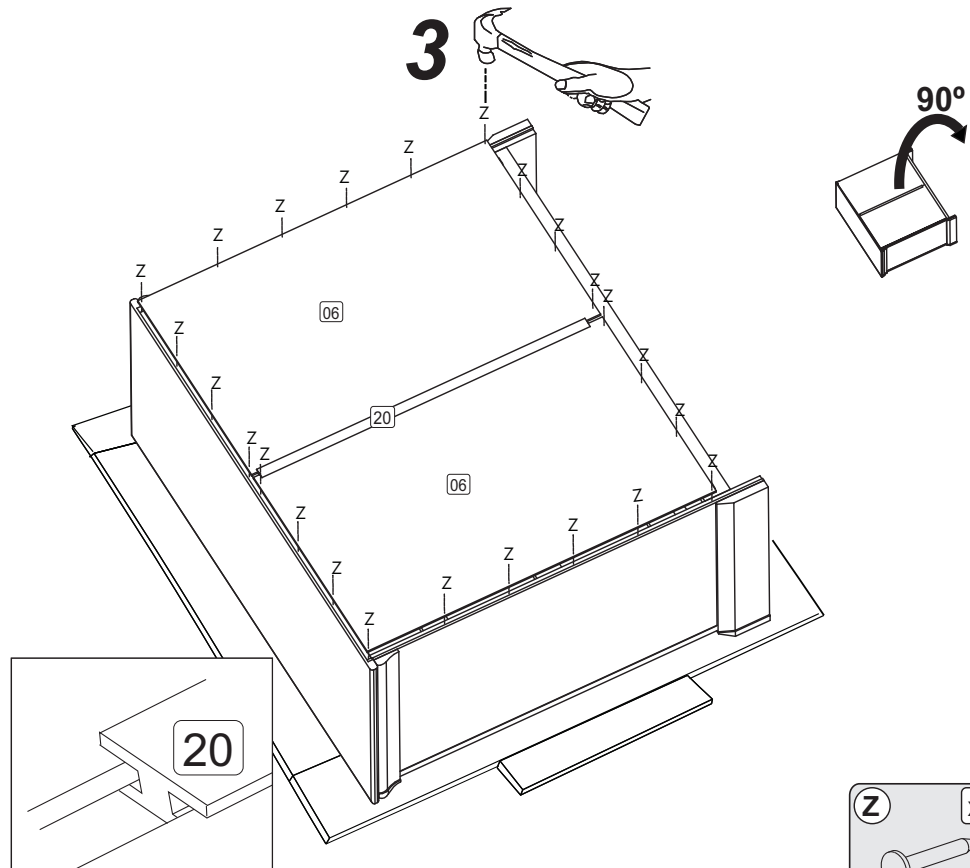
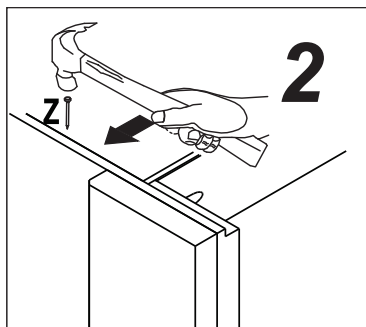
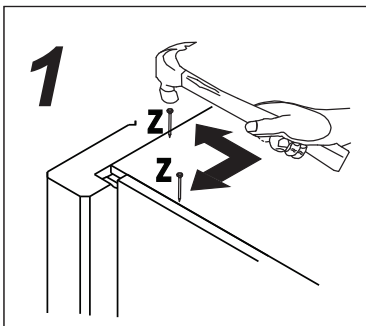
"Join drawer sides to drawer fronts with caution not to damage dovetail joints. Tap gently up and down the drawer side until fully inserted into drawer front."



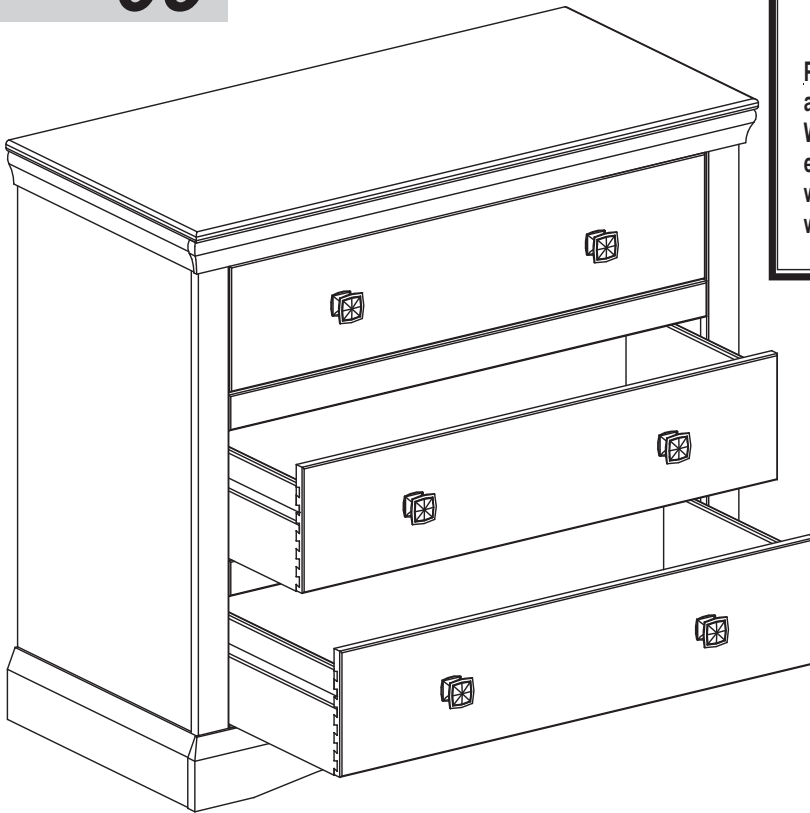
"Use a small drop of glue."



# 09



09



**IMPORTANT NOTICE**

Please avoid opening all drawers or doors simultaneously as this could cause your furniture to fall forwards. Where there is a risk of this occurring, especially in environments with children or uneven floors we recommend that this item of furniture is attached to your wall using appropriate fixings (not supplied).

X

x01



RED = PAINT

The RED sachet contains touch up paint for your furniture. Please retain for use should you require it at any point in the future. Application is best with a small paint brush which can be cleaned in water after use.