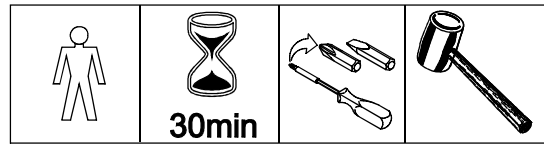


**MS-MR1**  
**BM-MR1**  
**DD-MR1**  
**PM-MR1**  
**QB-MR1**



Thank you for Choosing this furniture.

**BEFORE YOU START ASSEMBLY** please store the carton at room temperature for 48 hours or more so the contents can acclimatise.  
**PLEASE RETAIN ALL PACKING UNTIL YOU HAVE COMPLETED ASSEMBLY.**

**Information about your furniture.**

Our furniture ranges have been carefully crafted from solid wood and natural wood veneers. Each piece of timber has unique characteristics such as knots, variances in shading and graining. These are part of the natural character of the furniture itself.

**Caring for your furniture.**

Extreme temperature can cause slight movements in the wood itself so please avoid placing your furniture close to radiators or other direct sources of heat. Humidity should also be avoided.

Please avoid exposing your furniture to continued bright sunlight as it can affect the colour.

Any fluid spills should be removed as quickly as possible.

Always lift your furniture when moving as dragging may cause damage to your furniture or flooring.

**After care.**

Wipe the surfaces with a dry cloth and an occasional use of a normal household furniture polish. We also recommend you use household spray polish occasionally on the drawer grooves and runners as this will aid use. Please do not use detergents or chemicals on your furniture.

**PARTS LIST**

|             |            |  |            |          |            |
|-------------|------------|--|------------|----------|------------|
| <b>A</b>    | <b>x03</b> | <b>B</b>   | <b>x02</b> | <b>C</b> | <b>x02</b> |
| 25mm<br>Ø8  |            | 50mm<br>Ø4,5   |            | M6X35    |            |
| <b>D</b>    | <b>x02</b> | <b>E</b>   | <b>x01</b> |          |            |
| 1/4         |            | 5g   |            |          |            |
| <b>X</b>    | <b>x01</b> | The RED sachet contains touch up paint for your furniture. Please retain for use should you require it at any point in the future. Application is best with a small paint brush which can be cleaned in water after use. |            |          |            |
| RED = PAINT |            |  |            |          |            |

**BEFORE YOU START ASSEMBLY**

Please check that you have all the correct parts and fittings as detailed in the Parts List above.

In the unlikely event of a part being missing please **EMAIL : [service@coreproducts.co.uk](mailto:service@coreproducts.co.uk)** requesting the part code or the alpha reference. Alternately highlight your requirement on the above diagram.

Please provide the following information so that your request can be sent direct to you.

Name

Address

Post Code

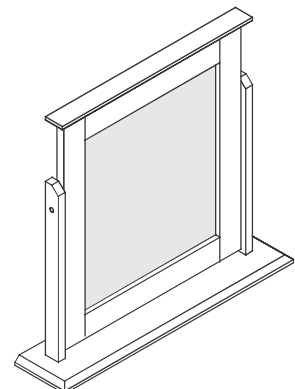
Telephone No:

Email address

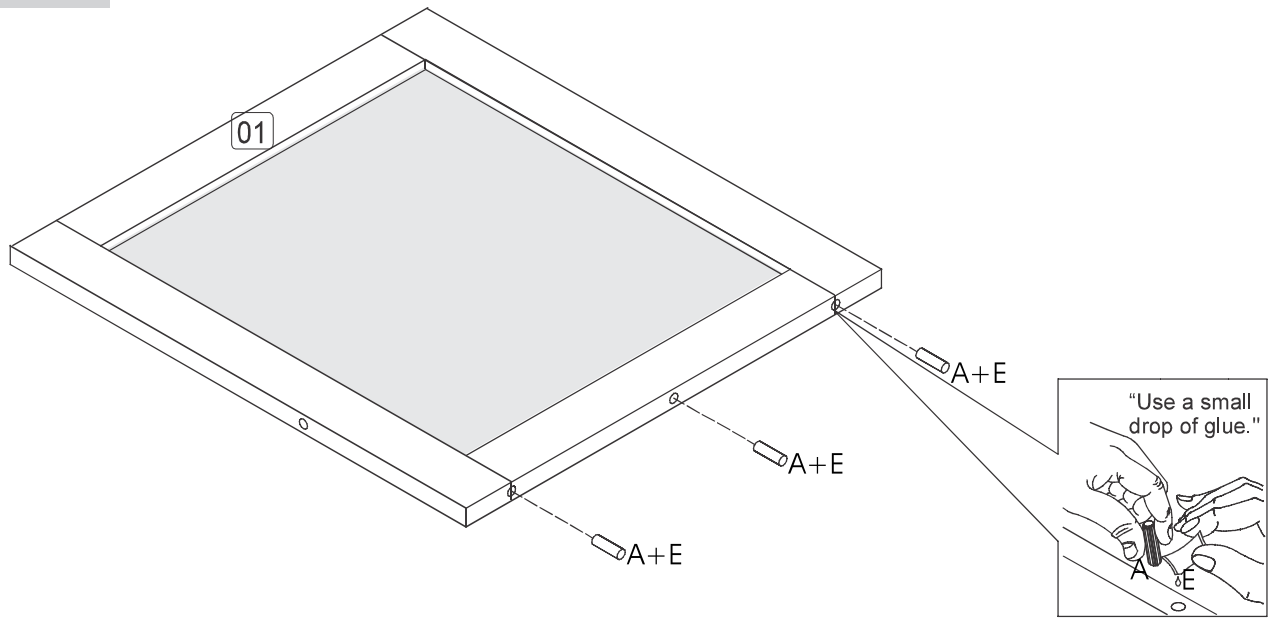
**BATCH NUMBER (from outside of carton)**

Name & town of your retailer

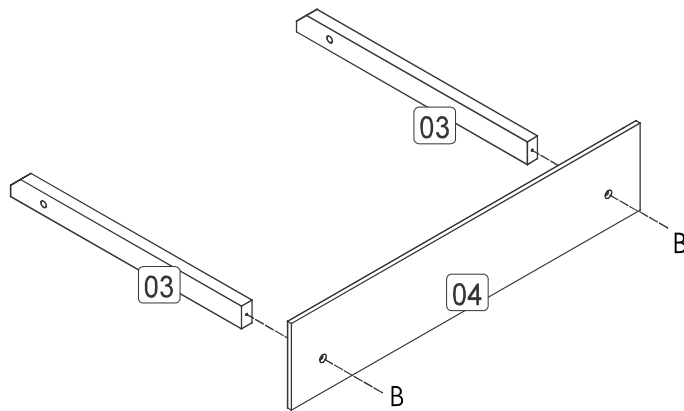
For further advice you can telephone 01738 630555



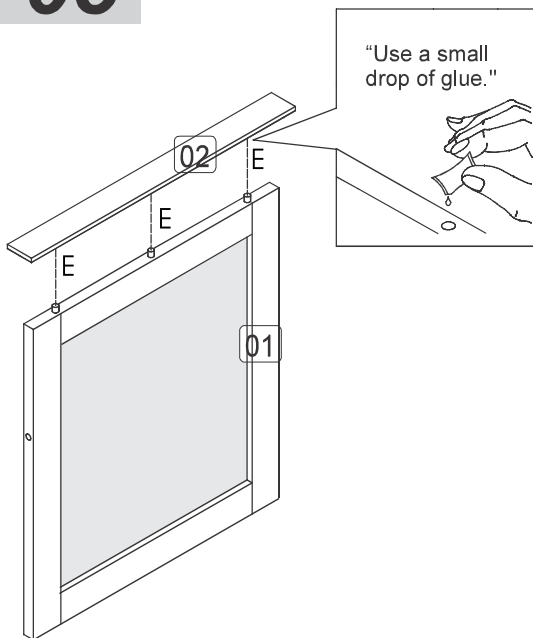
**01**



**02**



**03**



**04**

