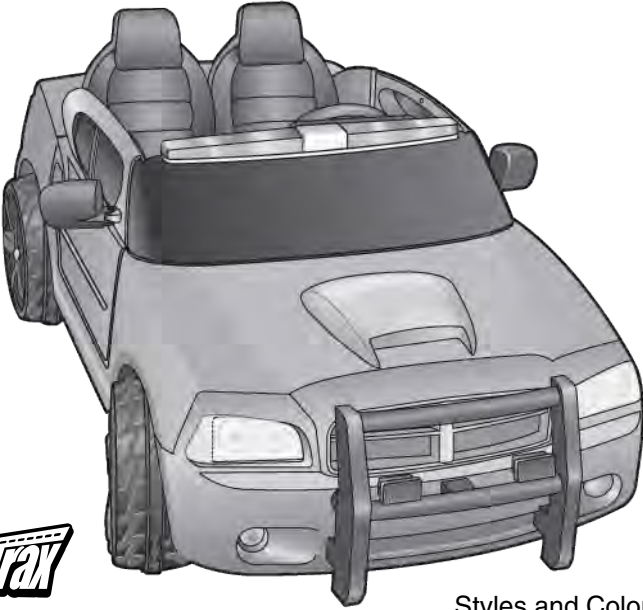




**DODGE**

# **CHARGER**

## Police Car Owner's Manual



KT1081WM

Styles and Colors may vary  
Made in China

Do not return to store. Call toll free (877) 741-6154 for assistance and replacement parts.

The Owner's manual contains assembly, use and maintenance instructions. The Kid Trax Police Car must be assembled by an adult who has read and understands the instructions in this manual. Keep the packaging away from children and dispose all packaging before use.

©2009 Pacific Cycle Inc.  
4902 Hammersley Rd.  
Madison, WI 53711  
United States of America  
Phone:(877)741-6154  
[www.kidtraxtoys.com](http://www.kidtraxtoys.com)



Dodge and HEMI® are trademarks of Chrysler LLC. Dodge Charger and its trade dress are used under license by Pacific Cycle Inc.  
©Chrysler LLC2009

Keep instructions for future reference.



# Thank You

For purchasing the Kid Trax Police Car. With the Police Car your child will have fun and enjoyment for years to come.

Please call us at Kid Trax Toys Consumer Relations at **877-741-6154** with comments or questions. Customer Service hours are 8AM - 5PM Monday thru Friday CST.

You may also reach us through the following:

Web: [www.kidtraxtoys.com](http://www.kidtraxtoys.com)

Email: [customerservice@kidtraxtoys.com](mailto:customerservice@kidtraxtoys.com)

Mail: Kid Trax Toys  
PO Box 344  
Olney, IL 62450



## WARNING

### PREVENT INJURIES AND DEATHS:

- **NEVER LEAVE CHILD UNATTENDED. ALWAYS** keep child in view when child is in vehicle. Direct adult supervision is **REQUIRED**.
- **NEVER** use in roadways, near cars, on or near steep inclines or steps, swimming pools or other bodies of water.
- **ALWAYS** wear shoes.
- **ALWAYS** sit on the seat.
- **NEVER** allow more than two (2) riders in the Police Car.

# Contents

<b>Safety</b> . . . . .	1
<b>Parts</b> . . . . .	2
<b>Assembly</b> . . . . .	4
Charging the Battery - Warnings . . . . .	4
Charging the Battery . . . . .	6
Install the Front Grill . . . . .	7
Install the Rear Wheels . . . . .	8
Install the Front Wheels . . . . .	9
Install the Left and Right Car Doors . . . . .	10
Install the Dashboard Assembly . . . . .	11
Install the Steering Rod and Steering Wheel . . . . .	13
Install the Rear Section . . . . .	15
Connect the Battery . . . . .	16
Install the Car Seats . . . . .	17
Install the Mirrors . . . . .	18
Install the Front Guard . . . . .	18
<b>Use</b> . . . . .	19
User Requirements . . . . .	19
Vehicle Controls . . . . .	20
<b>Maintenance</b> . . . . .	21
General . . . . .	21
Battery . . . . .	21
<b>Troubleshooting Guide</b> . . . . .	25
<b>Services, Repairs and Parts</b> . . . . .	28
<b>FCC Information</b> . . . . .	29
<b>Warranty</b> . . . . .	30
Warranty Limitations . . . . .	30
Limitation of Damages: . . . . .	30

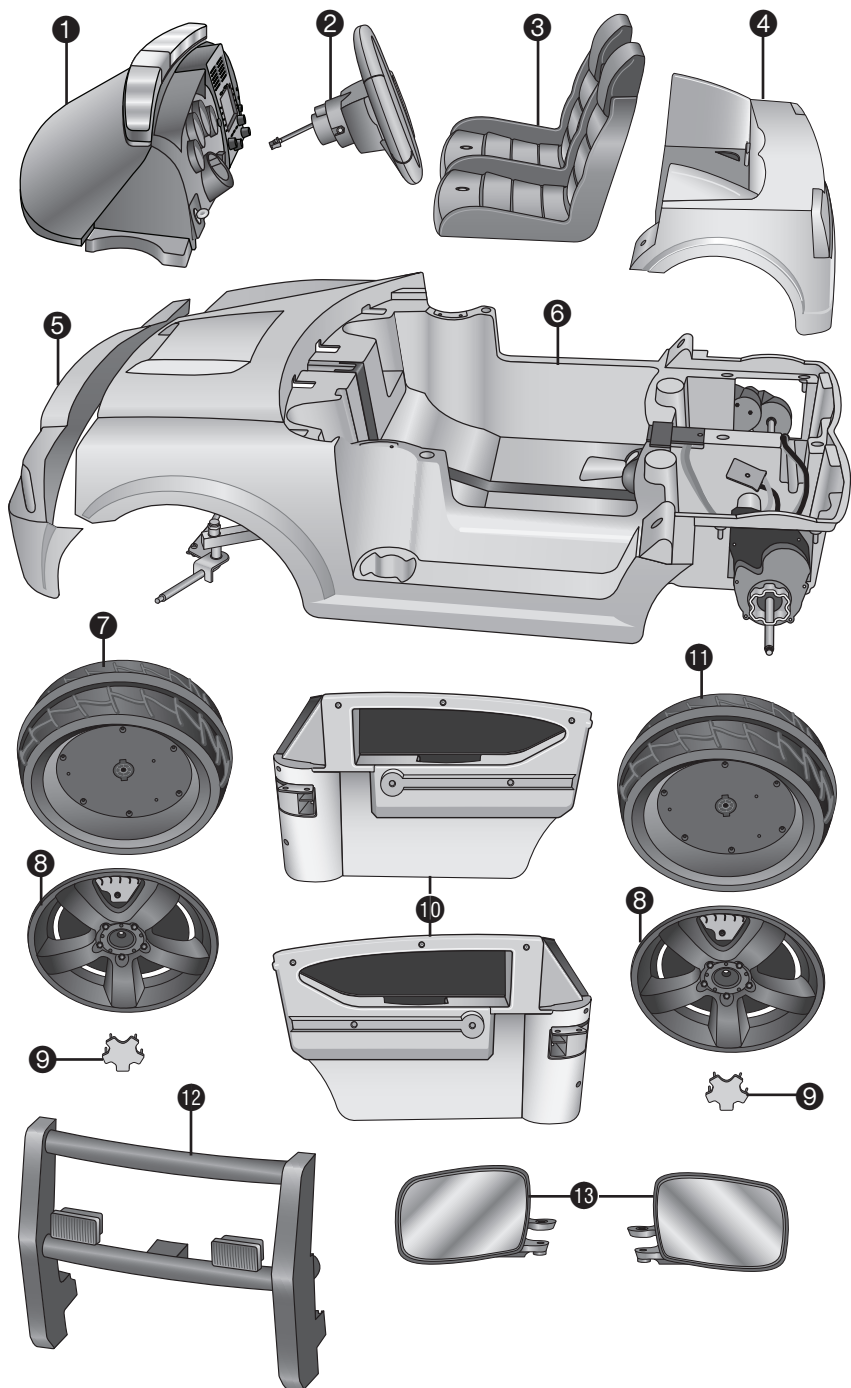
# Safety

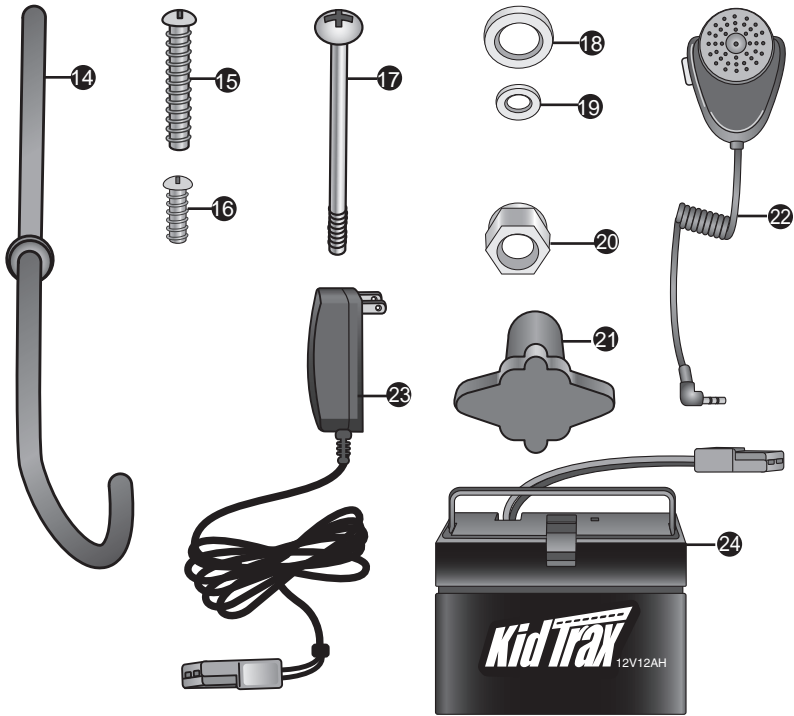
## **WARNING!**

The following safety hazards may result in serious injury or death to the user of the Police Car:

- This product contains small parts that are for adult assembly only. Keep small children away when assembling. Remove and dispose of all protective material and poly bags before assembly. Be sure to remove all packaging materials and parts from underneath the car body.
- Riding the vehicle without a helmet. Riders must always wear a fitted helmet that complies with U.S. Consumer Product Safety Commission (CPSC) Standard CFR 1203.
- Battery posts, terminals and related accessories contain lead and lead compounds (asic) chemicals known to the state of California to cause cancer, reproductive harm, and are toxic and corrosive. Never open the battery.
- Body parts such as hands, legs, hair and clothing can get caught in moving parts. Never place a body part near a moving part or wear loose clothing while using the vehicle. Always wear shoes when using the vehicle.
- Using the vehicle near streets, motor vehicles, drop-offs such as: steps, water (swimming pools) or other bodies of water, sloped surfaces, hills, wet areas, flammable vapors, in alleys, at night or in the dark could result in an unexpected accident. Always use the vehicle in a safe, secure environment with continuous adult supervision.
- Using the vehicle in unsafe conditions such as snow, rain, loose dirt, mud, sand or fine gravel may result in unexpected action such as tip over and skidding.
- Using the vehicle in an unsafe manner. Examples include but are not limited to:
  - Pulling the vehicle with another vehicle or similar device
  - Allowing more than two riders
  - Pushing the user from the back
  - Traveling at an unsafe speed
- Always use common sense and safe practices when using the vehicle.
- Store the vehicle indoors or cover it with a tarp to protect it from weather. Do not wash the car with a hose or soap and water. Water will damage the motor, electric system, and battery.

# Parts





### Parts List:

- |                    |   |
|--------------------|---|
| 1. Dashboard       | 15. M5 x 25 Screw (2) (included in Side Mirrors)      |
| 2. Steering Wheel  | 16. M4.2 x 20 Screw (18)<br>(included in one package) |
| 3. Car Seats (2)   | 17. M5 x 57 Screw<br>(included in Steering Wheel)     |
| 4. Rear Section    | 18. Large Washer (2) (all included on axle)           |
| 5. Front Bumper    | 19. Small Washer (4) (all included on axle)           |
| 6. Car Body        | 20. Large Nut (4) (all included on axle)              |
| 7. Front Wheel (2) | 21. Hex Wrench  |
| 8. Wheel Cover (4) | 22. Megaphone   |
| 9. Hubcap (4)      | 23. Battery Charger                                   |
| 10. Car Door (2)   | 24. 12 Volt Battery                                   |
| 11. Rear Wheel (2) |   |
| 12. Front Guard    |   |
| 13. Mirror (2)     |   |
| 14. Steering Rod   |   |

# Assembly

## Charging the Battery - Warnings

### **WARNING!**

The following safety hazards may result in serious injury or death to the user of the Police Car:



- Use of a battery or charger other than the supplied Kid Trax Toys 12V rechargeable battery and charger may cause a fire or explosion. Only use the supplied Kid Trax Toys 12V rechargeable battery and charger with the vehicle.
- Using the Kid Trax Toys 12V rechargeable battery and charger for any other product may result in overheating, fire or explosion. Never use the Kid Trax Toys 12V rechargeable battery and charger with another product.
- Explosive gases are created during charging. Charge the battery in a well ventilated area. Do not charge the battery near heat or flammable materials.
- Contact between the positive and negative terminals may result in fire or explosion. Avoid direct contact between the terminals. Picking up the battery by the wires or charger can cause damage to the battery and may result in a fire. Always pick up the battery by it's case or handles.
- Liquids on the battery may cause fire or electric shock. Always keep all liquids away from the battery and keep the battery dry.



## **WARNING!**



- Contact or exposure to battery leakage (lead acid) may cause serious injury. If contact or exposure occurs immediately call your physician. If the chemical is on the skin or in the eyes, flush with cool water for 15 minutes. If the chemical was swallowed, immediately give the person water or milk. Do not give water or milk if the patient is vomiting or has a decreased level of alertness. Do not induce vomiting.
- Battery posts, terminals and related accessories contain **lead and** lead compounds (acid), chemicals known to the State of California to cause cancer, reproductive harm and are toxic and corrosive. Never open the battery.



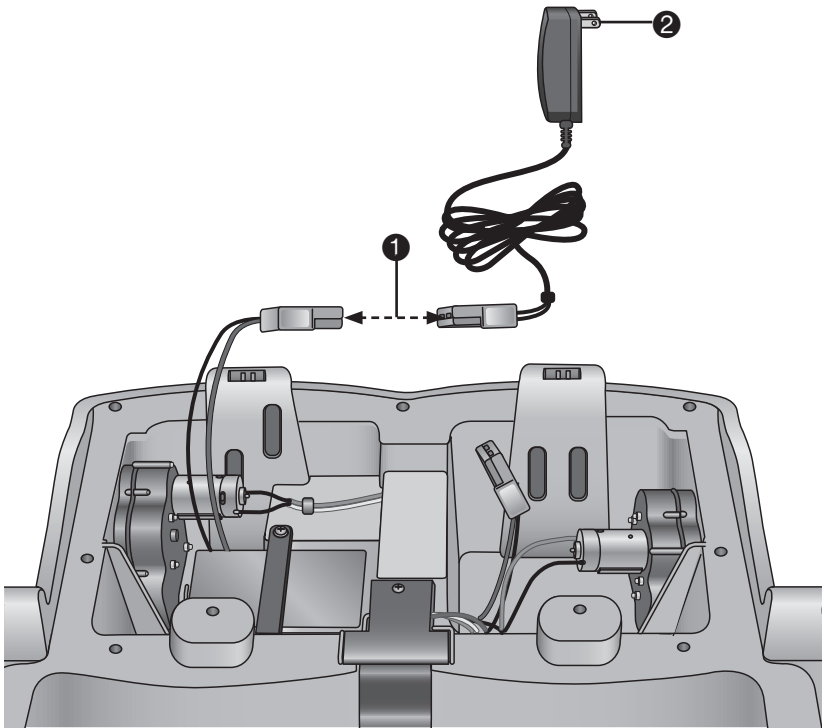
- Tampering or modifying the electric circuit system may cause a shock, fire or explosion and permanently damage the system. Exposed wiring, circuitry in the charger may cause electric shock. Always keep the charger housing closed.

**Important!** Before using the Police Car for the first time the battery needs to be charged for a full 24 hours (no more than 30 hours). Only an adult who has read and understands the following safety warnings should handle, charge or recharge of the battery (see Maintenance).

**Note:** It is not necessary to remove the battery from the vehicle for charging. However, if the adapter cord will not safely reach a 120V wall outlet, the battery can be removed for charging (see page 22 for instructions concerning battery replacement).

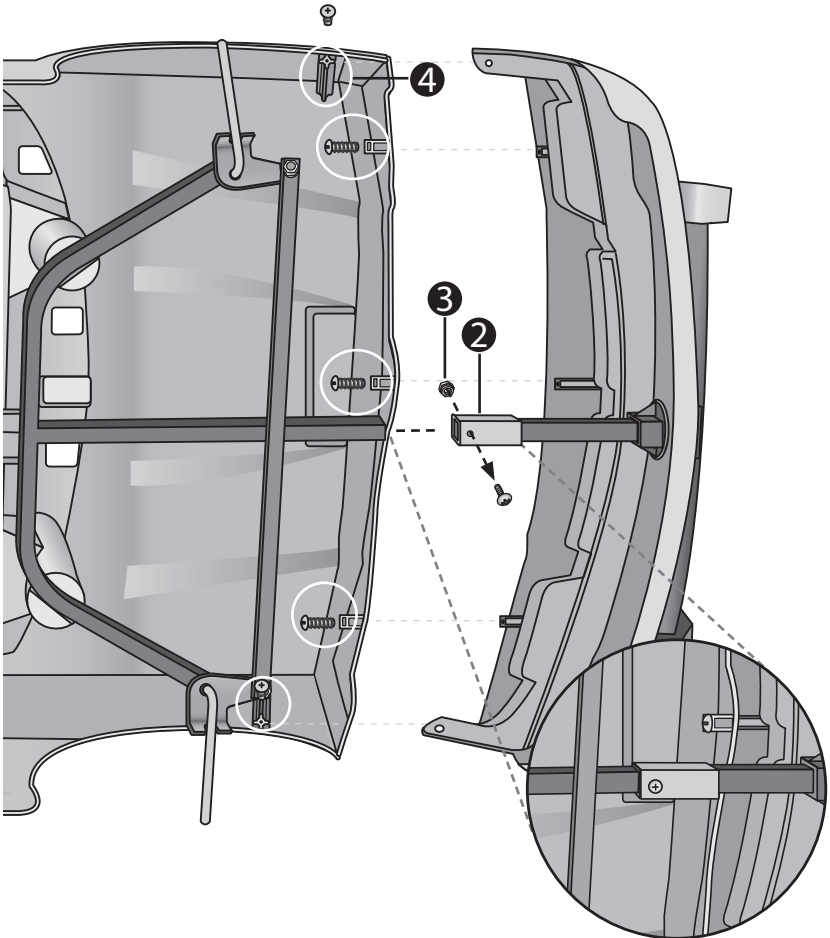
## Charging the Battery

1. Plug the charger connector into the battery connector on the battery. Only use the Kid Trax Toys 12V charger included with the Police Car (Input: AC 120V, 60Hz Output: DC 12V).
2. Plug the charger into a standard 120V wall outlet.  
**Note:** The charger may feel warm during charging. This is normal and not a cause for concern.
3. After charging is complete (at least 24 hours, but not more than 30) unplug the charger from the wall outlet.
4. Unplug the charger from the battery connector.



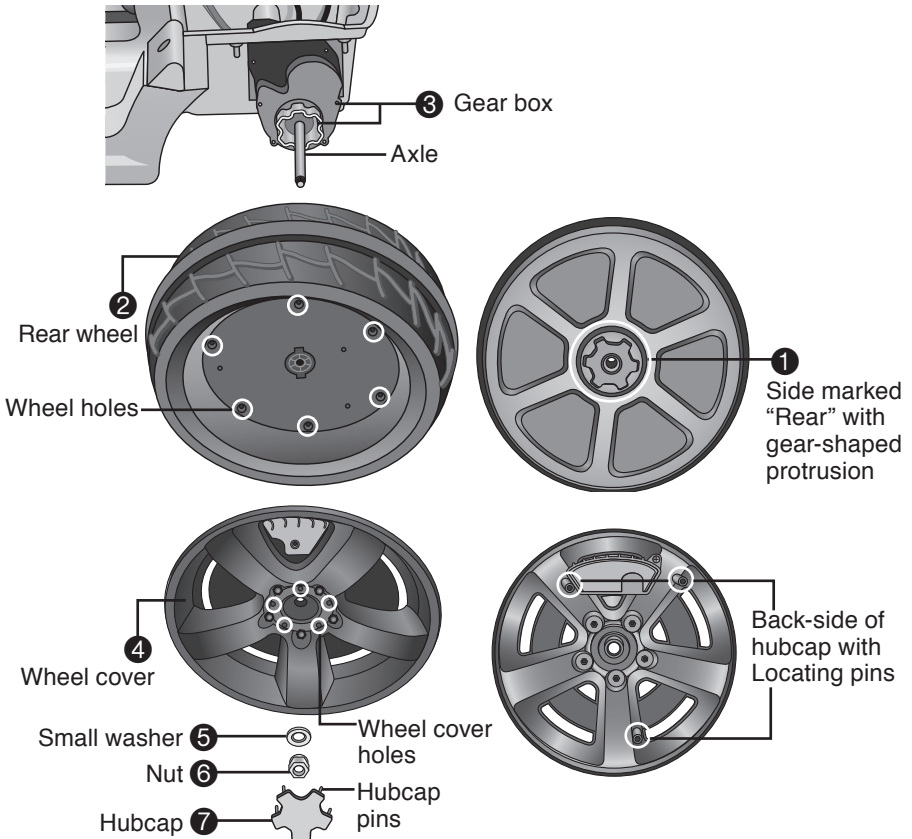
## Install the Front Grill

1. Remove the medium M5 x 30 screw which is attached to the front end connector.
2. Align the connector over the square metal tubing on the car body. Push the metal tubing together until the two pieces meet inside the connector.
3. Insert the same screw that you removed in step one through the hole in the front grill connector. Once inserted, fasten an M5 screw nut onto the end of the screw.
4. Using M4.2x20 screws, secure the front grill to the car body by fastening the screws into the five screw hole locations on the car body. **Note:** The orientation of the screws are not the same for each hole location.



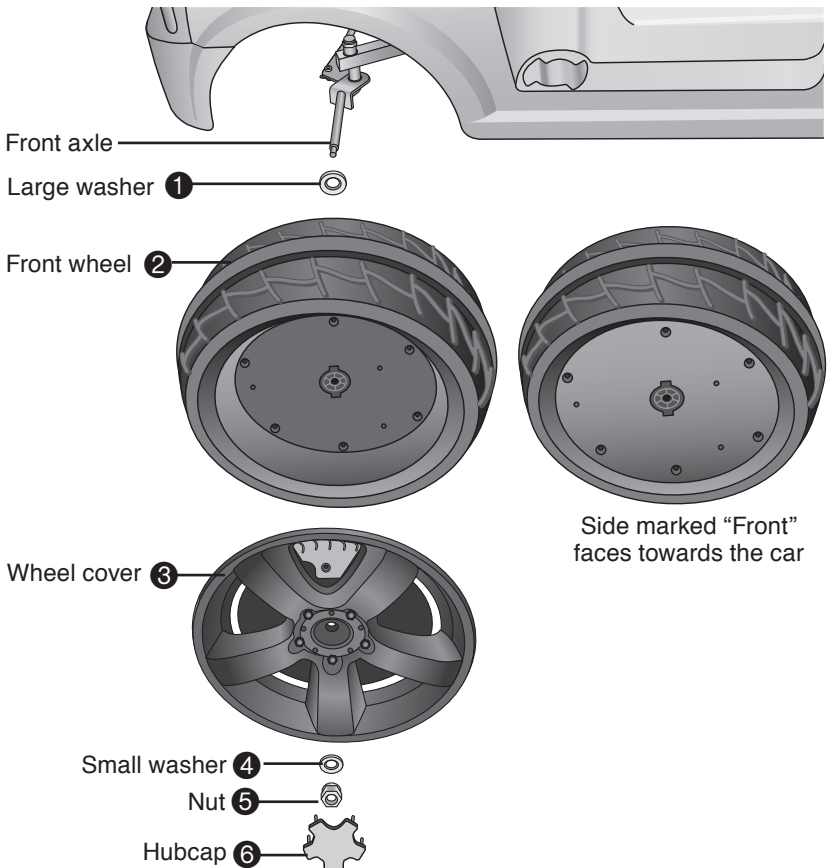
## Install the Rear Wheels (in clear poly bags)

1. Locate a rear wheel (marked "Rear" with gear-shaped protrusion).
2. Slide the wheel onto the axle with protrusion facing toward vehicle.
3. Fit the gear shaped protrusion into the gear box.
4. Align the three locating pins on the inside of the wheel cover into the wheel holes, and push the wheel cover into place.
5. Slide a small washer onto the axle.
6. Attach nut onto the axle. Using the Nut Wench, tighten snugly until you can see about two threads on the axle. Do not over tighten.
7. Align the pins in the hubcap with the holes in the wheel cover. Press the hubcap into place. **Note:** Do not use a hammer.
8. Repeat steps 1-4 to attach the other rear wheel.



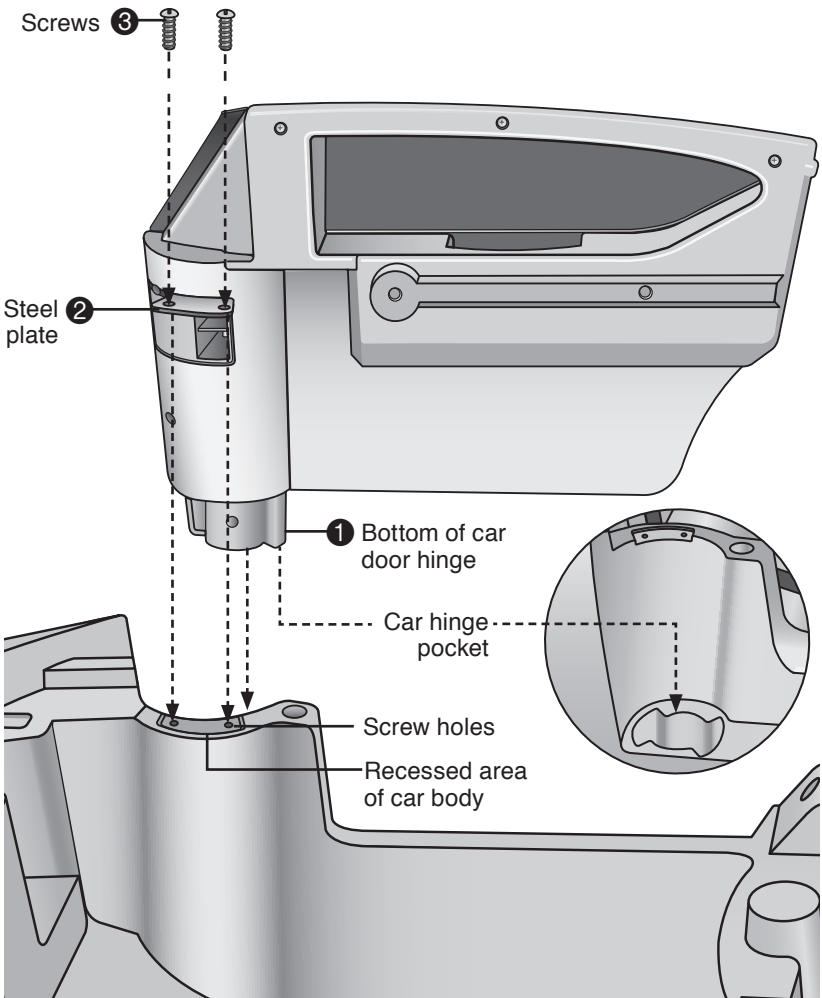
## Install the Front Wheels (in blue poly bags)

1. Slide a large washer onto the axle. **Note:** The Washer may already be on the axle.
2. Slide a wheel onto the axle with **FRONT** facing toward vehicle.
3. Slide a wheel cover onto the axle, fitting the three locating pins into the holes in the wheel.
4. Slide a small washer onto the axle.
5. Attach a nut onto the axle and tighten snugly with the nut wrench until you can see about two threads on the axle. Do not over tighten.
6. Align the pins in the hubcap with the holes in the wheel core. Press hubcap into place. **Note:** Do not use a hammer.
7. Repeat steps 1-4 to attach the other front wheel.



## Install the Left and Right Car Doors

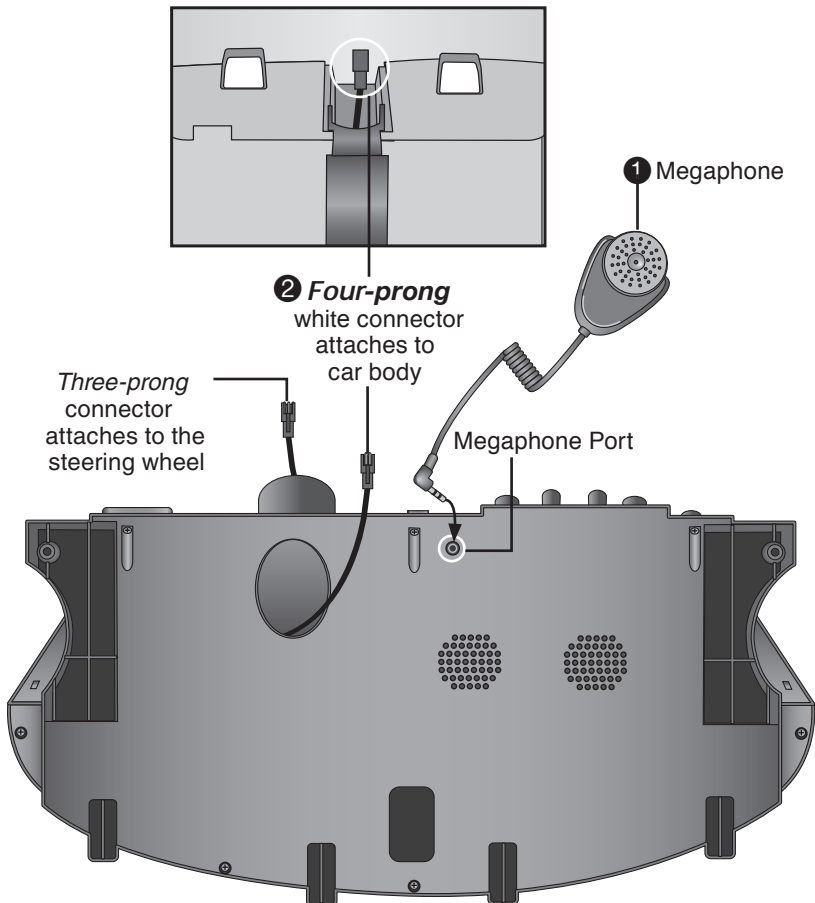
1. Slide the bottom of the car door hinge into the car hinge pocket until the steel plate rests on the recessed area of the car body.
2. Align the holes of the steel plate with the screw holes on the recessed area on the car body.
3. Screw the plate down using (2) M4.2 x 20 screws (part: #16). Do not over tighten.
4. Repeat steps 1-3 to attach the opposite door.



## Install the Dashboard Assembly

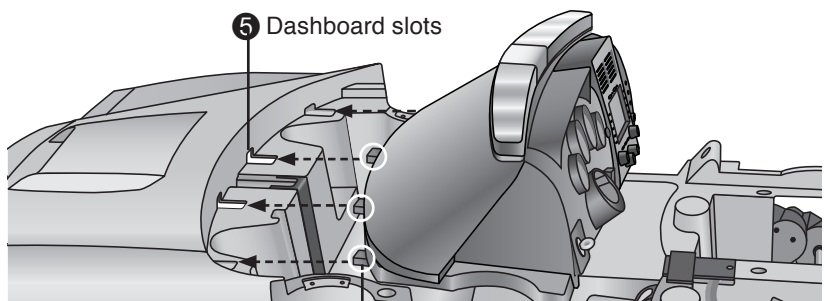
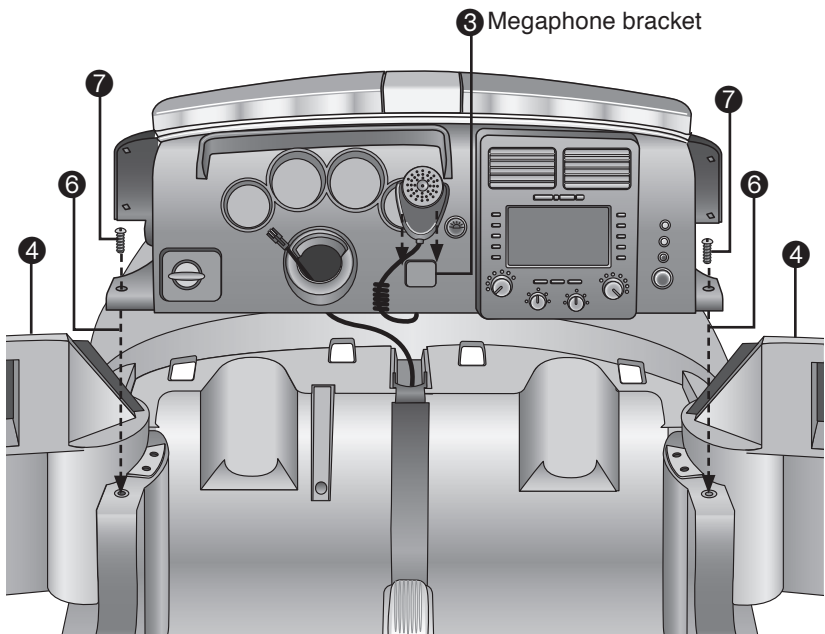
1. Plug the Megaphone into the megaphone port located underneath the Dashboard.
2. Attach the connector under the Dashboard to the connector on the car body, located at the top of the black, middle stripe.

**Note:** The connector's may have slipped inside the Dashboard assembly during shipment, if so, gently pull the connector out.



**Tip:** The **four-prong** white connector attaches to the car body, and the **three-prong** connector attaches to the steering wheel. Do not connect the steering wheel at this time.

3. Slide the Megaphone onto the bracket.
4. Open the car doors.
5. Slide the tabs on the front of the Dashboard assembly into the slots on the car body. **Note:** Be sure the connector wires are not separated, pinched or crimped.
6. Align the screw holes of the car body (located by the door hinge) with the screw holes on the dashboard.
7. Using (2) M4.2 x 20 screws (part:#16), attach the Dashboard Assembly onto the car body. Do not over tighten.
8. Close the car doors.

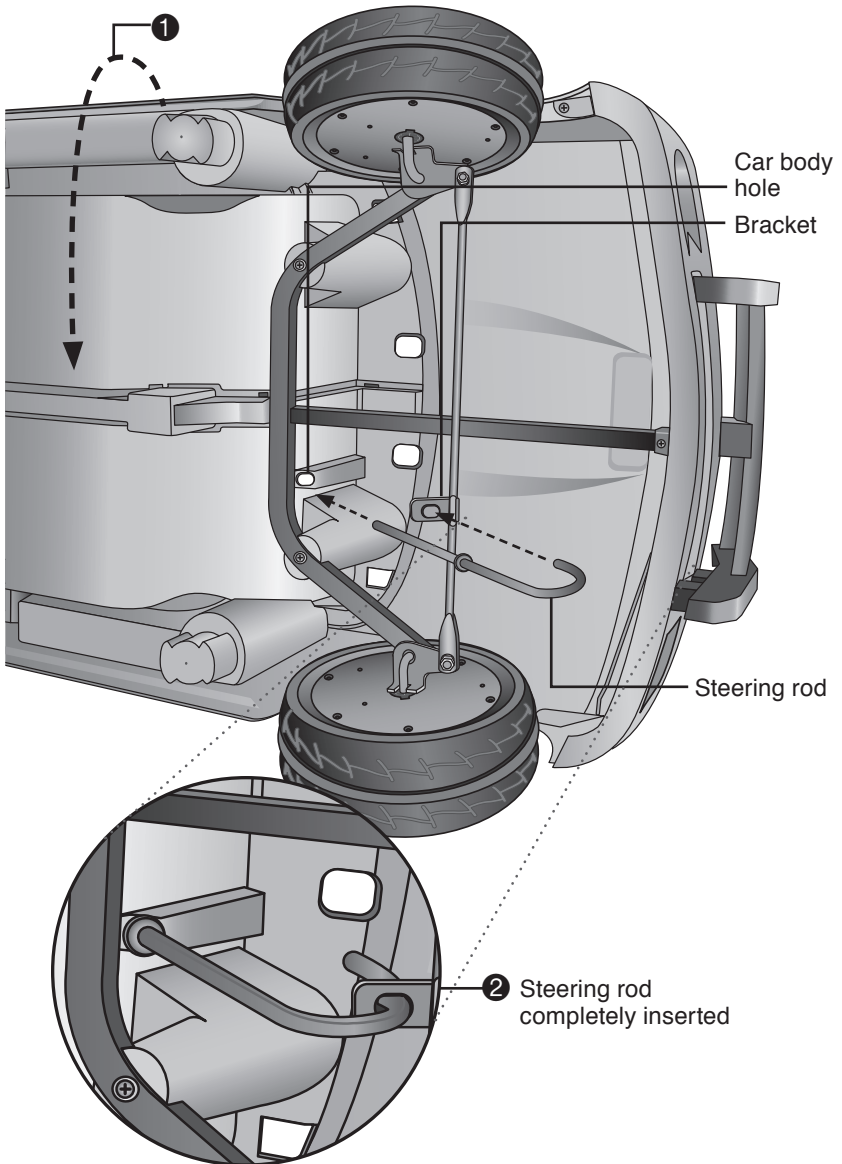


Dashboard assembly tabs

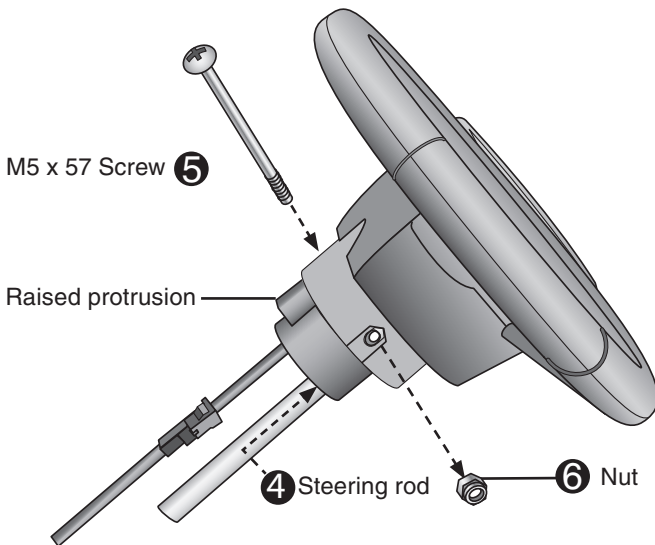
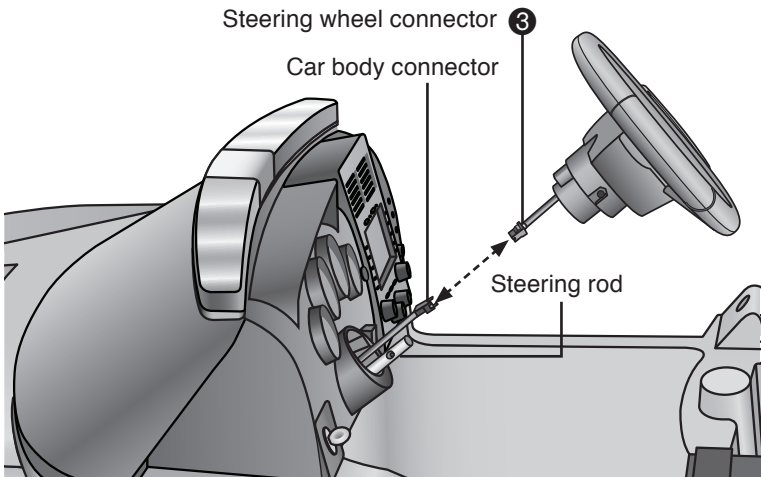


## Install the Steering Rod and Steering Wheel

1. Place the vehicle on soft material that will protect it from scratching or damage. Carefully turn the vehicle onto its side.  
**Note:** It is helpful to have a second person assisting you with these steps.
2. Insert the Steering Rod through the bracket, the hole in the bottom of the car body, and up through the dashboard.

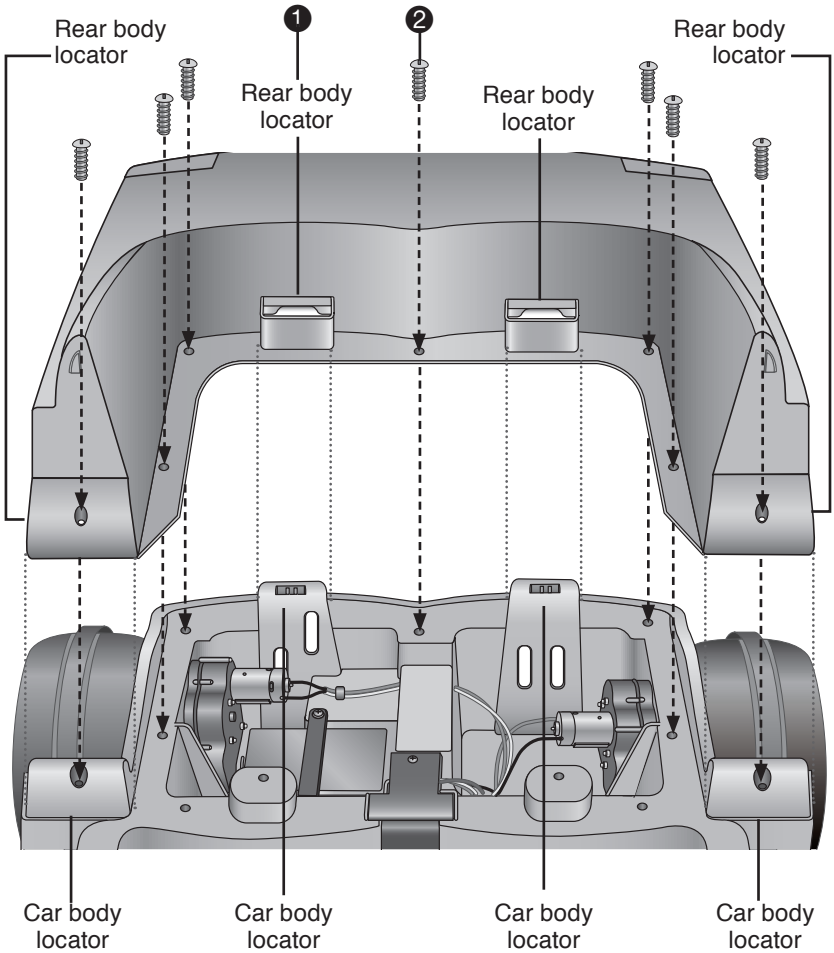


3. Attach the wiring harness connector from the Steering Wheel into the wiring harness connector in the Dashboard.
4. Remove M5 x 57 screw (part: #17) from the Steering Wheel. Insert the Steering Wheel onto the rod and slide it into the pocket on the Dashboard. **Note:** The raised protrusion on the back of the Steering Wheel column should be facing up. Align the hole for the screw in the Steering Wheel with the hole in the Steering Rod.
5. Re-insert the M5 x 57 screw through the Steering Wheel and Steering Rod.
6. Fasten the nut onto the other side of the screw and tighten.



# Install the Rear Section

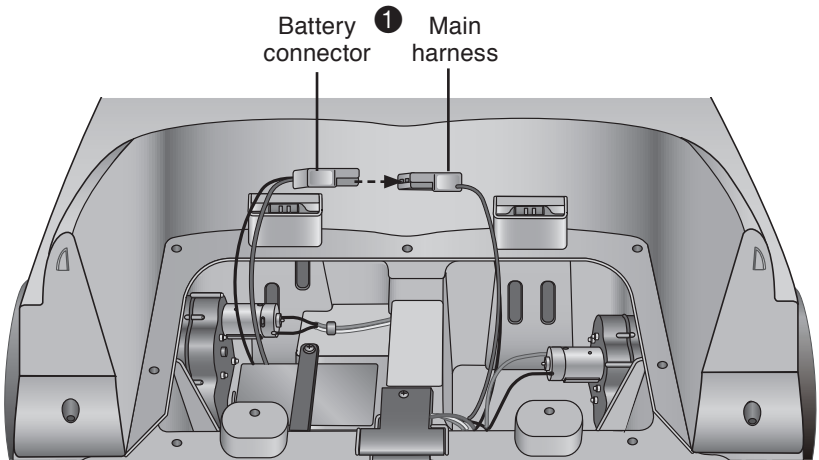
1. Align the Rear Section over the four locators on the car body and lower the Rear Section into place.
2. Using the (7) M4.2 x 20 (part:#16) screws fasten the Rear Section to the car body. Do not over tighten the screws.



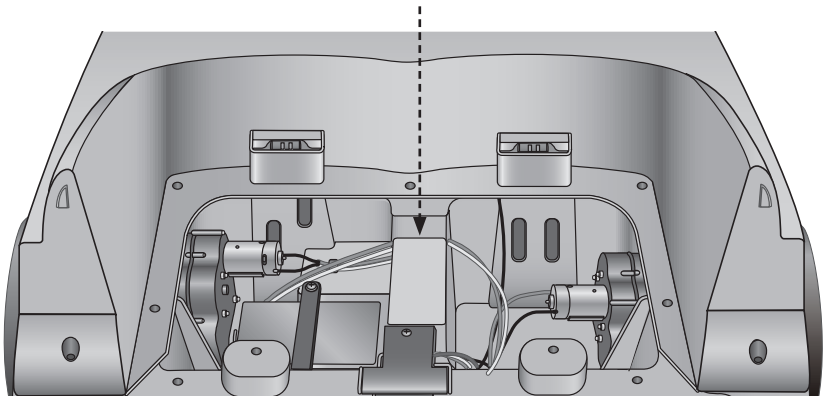
## Connect the Battery

**Important!** Before using the Police Car for the first time the battery needs to be charged for a full 24 hours (see page 6 for battery charging instructions).

1. Fasten the Battery connector to the Main Harness.
2. Place the connectors and wires in the slot (see below).

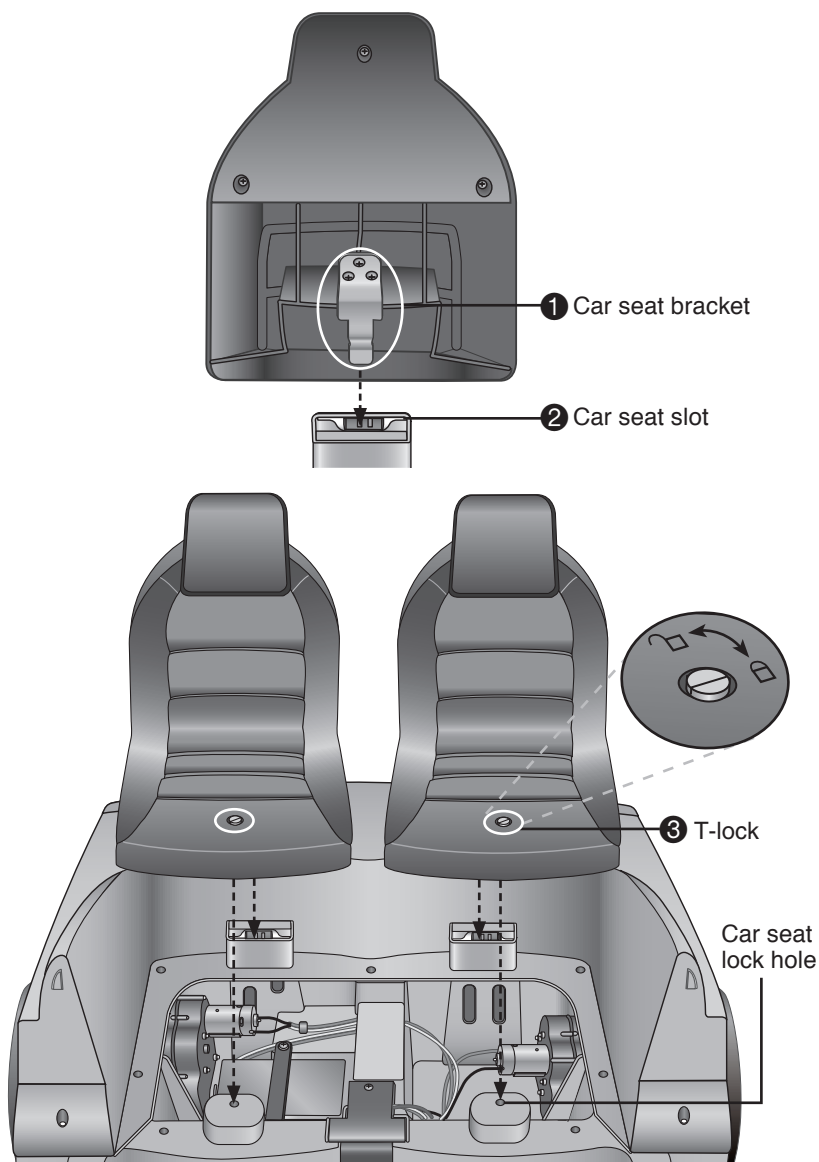


- 2 Place battery connector and main harness in slot



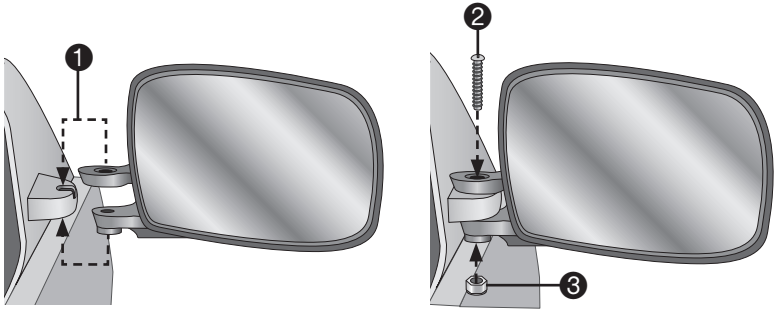
## Install the Car Seats

1. Locate the bracket behind in the back of the car seat.
2. Align the car seat bracket with the car seat slot, and the T-lock with the car seat lock hole. Lower the seat into place.
3. Lock the car seat in place by using a coin to tighten the T-lock located in the center of the car seat bottom.



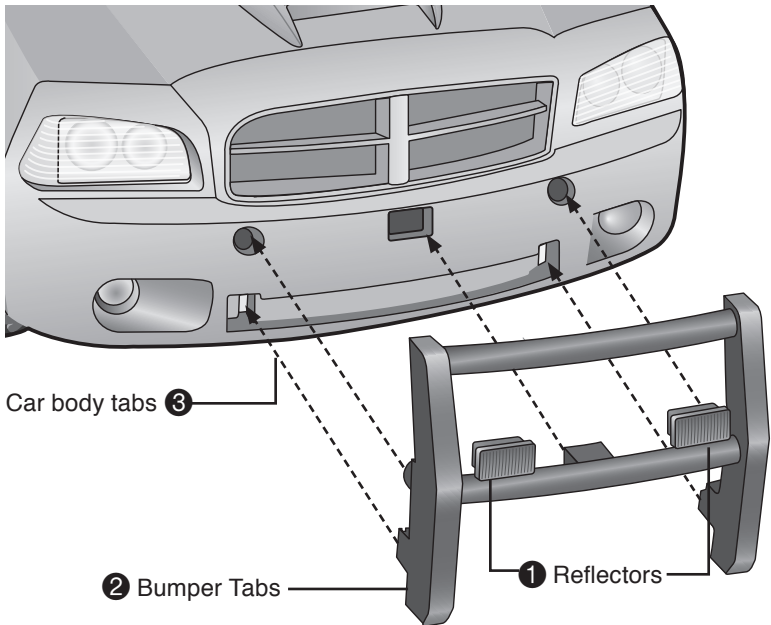
## Install the Mirrors

1. Align the holes of the Mirror with the holes on the mirror hinge.
2. Insert a M5 x 25 screw (part:#15) through the mirror and mirror hinge holes.
3. Screw a small nut to the bottom of the screw. Do not over tighten.



## Install the Front Guard

1. Orient the Front Guard so the Reflectors are in the UP position.
2. Align the tabs on the bumper with the slots on the car body.
3. Slide the bumper tabs into the car body slots and holes until they snap into place.



# Use

**Important!** Before using the Police Car for the first time the battery needs to be charged for a full 24 hours. Only an adult who has read and understands the safety warnings (see Assembly) should handle, charge or recharge of the battery. Read the Assembly and Maintenance sections before use of the vehicle.

## User Requirements

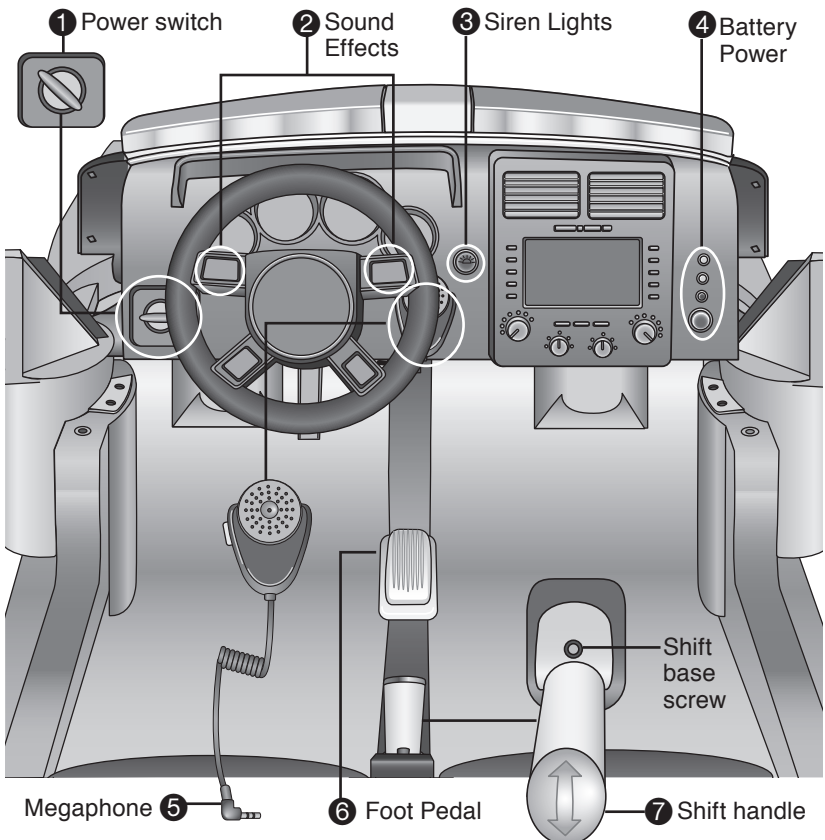
The suitable age range for a child using the Police Car is between 3 and 7 yrs old max. The maximum weight of the child (or children) is 130 lbs (59kg).

Before using the Police Car the child should understand the vehicle controls and safety issues. They must also demonstrate the capability to handle the vehicle and operate its controls. It is the responsibility of the adult to educate the child and supervise the vehicles use. Here are basic safe riding rules you should read aloud to your child and playmates:

- Only use the vehicle when an adult is present to watch (supervise)
- Always sit in the seat when using the vehicle
- Keep your hands, hair and clothes away from moving parts
- Always wear shoes when using the vehicle
- Only two riders are allowed at a time
- Children under 3 years old cannot use the vehicle
- Only drive on level ground.
- Do not go near water, drop-offs or up and down steep slopes.
- Do not drive the vehicle into loose dirt, mud, sand or fine gravel.
- Do not drive the vehicle on streets or near cars.
- To reduce the risk of injury, adult supervision is required.
- Must come to complete stop before changing from forward to reverse to avoid stripped gears.

# Vehicle Controls

1. **Power Switch:** Turns the vehicle on and off.
2. **Sound Effects:** Pressing the button on the left side of the steering wheel will make a muscle car sound effects. Pressing the right side will make a police scanner sound effect.
3. **Siren Lights:** Turns on the red and blue flashing lights and siren.
4. **Battery Power Indicator:** When pressed, the three lights above the Battery Power button indicate the battery power level.
5. **Megaphone:** Press the button on the side of the megaphone and talk. The sound will come out of a speaker in the dashboard.
6. **Foot Pedal:** Applies power (speed) to the vehicle. To slow down or stop, lift your foot off the pedal.
7. **Shift Handle:** Changes the direction the vehicle moves from forward to reverse. You may remove the small screw at the base of the shift handle for higher speeds. Must come to complete stop before changing from forward to reverse to avoid stripped gears.





# Maintenance

## General

The vehicle should be checked for damage, missing or badly worn parts before use.

- Check the tightness of the fasteners before each use.
- Check the tightness of the wheel nuts. Use a flat head screwdriver to gently pry off the hub caps. **Note:** If the wheel nuts are not tight the wheels will not engage the forward gears and the vehicle will not run.
- Ensure the battery bracket is securely in place before use.
- Occasionally use lightweight oil to lubricate moving parts such as wheels and steering linkage. Do not use oil on plastic or nylon parts. No lubrication is required.
- Store the vehicle indoors or cover it with a tarp to protect it from the wet weather. Keep it away from sources of heat, such as stoves and heaters.
- Clean the vehicle with a soft, dry cloth. To restore shine to plastic parts, use a non-wax furniture polish. Do not use car wax, abrasive cleaners or wash the vehicle with soap and water. Water will damage the motor, electrical system and battery.
- Kid Trax Toys recommends that you take the vehicle to an authorized service center for periodic maintenance and service. Call Kid Trax Toys Consumer Relations at 877-741-6154 for an authorized service center.

## Battery

Only an adult who has read and understands the safety warnings (see Assembly) should handle, charge or recharge of the battery. Failure to comply with the following safety warnings may result in serious injury or death.

## Re-Charge Interval and Time

### **Important!**

- Damage to the battery may occur if it is allowed to drain completely. Do not allow the battery to drain completely.
- Check the battery and charger (supply chord, connector) for wear and damage before charging. Do not charge the battery if damage has occurred. Only replace with a Kid Trax Toys 12V rechargeable battery and charger.

The battery should be charged after each use, or if not used regularly, once a month at a minimum. Charge the battery for a full 24 hours. Do not charge the battery for more than 30 hours. Failure to charge the battery as directed would cause permanent damage to the battery and will void the warranty.

## Battery Storage

Do not leave the battery connected in the vehicle for long period of times while not being used. This may drain the battery completely and cause permanent damage. Disconnect the battery connectors from the battery when the vehicle is not going to be used for a long period of time. Follow these guidelines if the battery is removed:

Store the battery where temperatures are between -10° F (-24°C) and 75° F (24° C)

- Store the battery on a wood surface. Do not place the battery on cement floors for extended periods. This will result in battery discharge.
- Wipe the battery clean with a dry cloth prior to storage.
- Charge the battery once every month for 16 hours.

## Battery Replacement and Disposal

The Kids Trax Toys 12V battery will eventually lose the ability to hold a charge. Depending on the amount of use, and varying conditions, the battery should operate for one to three years. Follow these steps to replace and dispose the battery:

1. Remove the car seat.
2. Disconnect the battery connectors.
3. Remove the metal battery bracket.
4. Carefully lift the battery.
  - Depending on the condition of the battery (i.e.: leakage) you may want to wear protective gloves before removal.
  - Do not lift the battery by its connectors or cables

5. Place the dead battery in a plastic bag.

**Important!** Recycle the dead battery responsibly. The battery contains lead acid (electrolyte) and must be disposed of properly and legally. It is illegal in most areas to incinerate lead acid batteries or dispose of them in landfills. Take it to a federal or state-approved lead acid battery recycler, such as a Kid Trax Toys authorized service center or your local automotive battery retailer. Do not throw the battery away with your regular household trash!

6. Replace the battery with a Kid Trax Toys 12V battery and reconnect the connectors.
7. Replace the metal battery bracket.
8. Replace the seat.

## Battery Fuse

The Kid Trax Toys 12V battery features a thermal fuse with a reset fuse that will automatically trip and cut all power to the vehicle if the motor, electric system or battery is overloaded. The fuse will reset and power will be restored after the unit is turned **OFF** for 5 Minutes and then turned **ON** again. If the thermal fuse trips repeatedly during normal use, the vehicle may need repair. Call Kid Trax Toys Consumer Relations at 877-741-6154 for an authorized service center.

To avoid losing power, follow these guidelines:

- Do not overload the vehicle
- Do not tow anything behind the vehicle
- Do not drive up steep slopes
- Do not drive into fixed objects, which may cause the wheels to spin, causing the motor to overheat.
- Do not drive in very hot weather; components may overheat.
- Do not allow water or other liquids to come in contact with the battery or other electric components.
- Do not tamper with the electric system. Doing so may create a short, causing the fuse to trip.

# Troubleshooting Guide

The following are examples of potential problems. Completely read through this manual and the troubleshooting guide table before calling Kid Trax Toys Consumer Relations. If you still need help resolving the problem please call **877-741-6154**.

Kid Trax Toys recommends that you take the vehicle to an authorized service center for periodic maintenance and service. Call the number listed above for the closest center to you.

Problem	Possible Cause	Remedy
Vehicle does not run	Battery low on power	Recharge battery (see Battery: Recharge Interval and Time)
	Thermal fuse has tripped	Reset fuse (see Maintenance: General)
	Wheel nuts are loose	Tighten wheel nuts (see Maintenance: General)
	Battery connector or wires are loose	Check that the battery connectors are firmly plugged into each other. If wires are loose around the motor call Consumer Relations at <b>877-741-6154</b> for an authorized service center
	Battery is dead	Replace battery (see Battery: Replacement and Disposal)
	Electrical system is damaged	Call Consumer Relations at <b>877-741-6154</b> for an authorized service center
	Motor is damaged	Call Consumer Relations at <b>877-741-6154</b> for an authorized service center

Problem	Possible Cause	Remedy
Vehicle does not run very long	Battery is under charged	Check that the battery connectors are firmly plugged into each other when recharging (see Battery: Recharge Interval and Time)
	Battery is old	Replace battery (see Battery: Replacement and Disposal)
Vehicle runs sluggishly or beeping occurs	Battery low on power	Recharge battery (see Battery: Recharge Interval and Time)
	Battery is old	Replace battery (see Battery: Replacement and Disposal)
	Vehicle is overloaded	Reduce weight on vehicle (see User Requirements and Safety Warnings)
	Vehicle is being used in harsh conditions	Operate the vehicle level ground and firm surfaces (see User Requirements and Safety Warnings)
Vehicle needs a push to go forward	Poor contact of wires or connectors	Check that battery connectors are firmly plugged into each other. If wires are loose around the motor call Consumer Relations at <b>877-741-6154</b> for an authorized service center
	“Dead Spot” on motor	A <b>dead spot</b> means the electric power is not being delivered to the terminal connection and the vehicle needs repair. Call Consumer Relations at <b>877-741-6154</b> for an authorized service center

Problem	Possible Cause	Remedy
Difficult shifting from forward to reverse or visa-versa	Attempting to shift while the vehicle is in motion	Completely stop the vehicle and shift (see Use: Manual Operation)
Loud grinding or clicking noises coming from motor or gear box	Motor or gears are damaged	Call Consumer Relations at <b>877-741-6154</b> for an authorized service center
12V Battery will not recharge	Battery connector or adapter connector is loose	Check that battery connectors are firmly plugged into each other
	Charger not plugged in	Check that battery charger is plugged into a working wall outlet
	Charger is not working	Call Consumer Relations at <b>877-741-6154</b> for an authorized service center
Battery bubbles or gurgles when charging	This is normal and not a cause for concern	
Charger feels warm when recharging	This is normal and not a cause for concern	

# Services, Repairs and Parts

Do not return this product to the place of purchase. If your Police Car needs service, repairs or replacement parts, call:

Kid Trax Toys Consumer Relations

Hours: 8:00am – 5:00pm (CST) Monday - Friday

Phone: **877-741-6154**

Email: [customerservice@kidtraxtoys.com](mailto:customerservice@kidtraxtoys.com)

Web: [www.kidtraxtoys.com](http://www.kidtraxtoys.com)

For service and repairs you will be directed to an authorized service center. To order parts have the model and serial number and a brief description of the part.

The following is a list of available replacement parts:

- Front wheel
- Rear wheel
- Wheel cover
- Hub caps
- Hardware bag for wheel assembly
- Hardware bag for dashboard and steering rod
- Seats
- 12-volt battery
- Charger
- Mirrors
- Steering Wheel
- Megaphone



# FCC Information

This device complies with part 15 of the FCC Rules. Operation is subject to the following two conditions (1) this device may not cause harmful interference, and (2) this device must accept any interference received, including interference that may cause undesired operation.

This equipment has been tested and found to comply with the limits for a Class B digital device, pursuant to Part 15 of the FCC rules. These limits are designed to provide reasonable protection against harmful interference in a residential installation.

This equipment generates, uses and can radiate radio frequency energy and, if not installed and used in accordance with the instructions, may cause harmful interference to radio communications. However, there is no guarantee that interference will not occur in a particular installation. If this equipment does cause harmful interference to radio or television reception, which can be determined by turning the equipment off and on, the user is encouraged to try to correct the interference by one or more of the following measures:

- Reorient or relocate the receiving antenna.
- Increase the distance between the equipment and the receiver.
- Consult dealer or an experienced radio/TV technician for help.

# Warranty

## One-Year Limited Warranty Six-Month Limited Warranty on Battery

Pacific Cycle, Inc. (PC) warrants this product to the original retail purchaser as follows:

The vehicle (except for the 12-volt battery) is warranted against defective materials or workmanship for one year from the date of original purchase. The 12-volt battery is warranted against defective materials or workmanship for six months from the date of original purchase. An original receipt is required to validate your warranty. PC will, at its option, provide replacement parts or replace this product. PC reserves the right to substitute if the part or model has been discontinued.

To make a claim under this warranty you may contact us at [www.kidtraxtoys.com](http://www.kidtraxtoys.com); fax us at **1-800-858-2800**, 24 hours a day; write to Kid Trax Consumer Relations Department, Kid Trax Toys, P.O. Box 344 Olney, IL 62450 or call **1-877-741-6154** from 8 a.m. to 5 p.m., Monday through Friday, CST. **Proof of purchase is required, and shipping charges are the responsibility of the consumer.**

## Warranty Limitations

This warranty does not include damages which arise from accident, misuse, abuse, neglect or other causes not arising out of defects in materials or workmanship, nor does it cover damages arising out of service by other than an authorized PC service center. For personal use only. Not for commercial use. The original owner shall pay all labor charges connected with the repair or replacement of all parts. Under no circumstances does this limited warranty include the cost of shipment or transportation to or from an authorized Kid Trax repair center or Kid Trax retailer.

## Limitation of Damages:

The warranty and remedies as set forth are exclusive and in lieu of all others, oral or written, expressed or implied. In no event will PC or the dealer selling this product be liable to you for any damages, including incidental or consequential damages, arising out of the use or inability to use this product. Some states do not allow limitations as the exclusion or limitation of incidental or consequential damages, so the above limitation may not apply to you.

## Limitation of Warranties and Warranty Terms

Any implied warranties, including implied warranties of the merchantability and fitness for a particular purpose, shall be limited to the duration and terms of the express written warranty. Some states do not allow limitations as the exclusion or limitation of incidental or consequential damages, so the above limitation may not apply to you. This warranty gives you specific legal rights, and you may have other rights, which vary from state to state. Neither PC nor the dealer selling this product authorized any person to create for it any other warranty, obligation or liability in connection with this product.

# Contact Information

**If you have any questions or comments please contact us at:**

In U.S.A.  
Pacific-Cycle Inc.  
4902 Hammersly Rd.  
Madison, WI 53711

Customer Service:  
877-741-6154  
[customerservice@kidtraxtoys.com](mailto:customerservice@kidtraxtoys.com)  
[www.kidtraxtoys.com](http://www.kidtraxtoys.com)

© 2009 Pacific-Cycle Inc.

Made in China