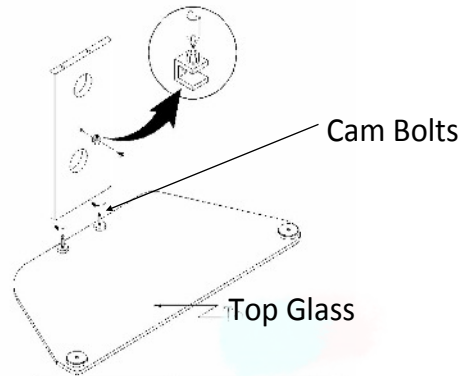
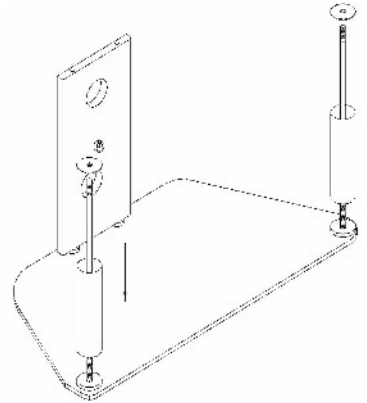


1



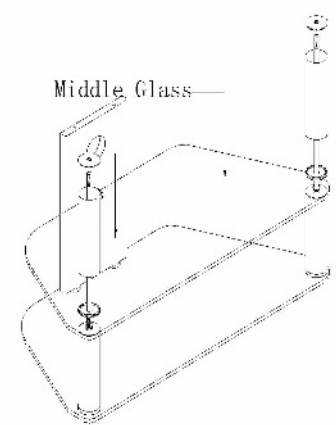
No.	Part Description	Drawing of part for ID	Qty
4	Large MDF Panel		1
5	Cam Bolt		2
10	Screws (M4*12)		1
11	Glass Clip		1

2



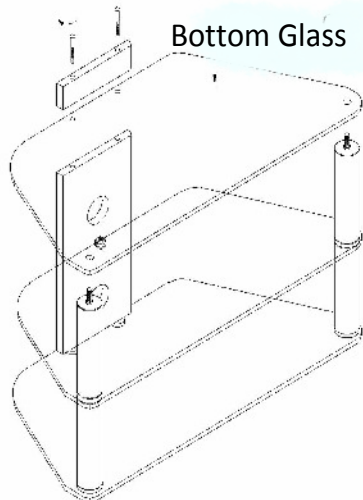
No.	Part Description	Drawing of part for ID	Qty
7	201mm tube		2
6	Bolt		2
9	Plastic Spacers		2

3



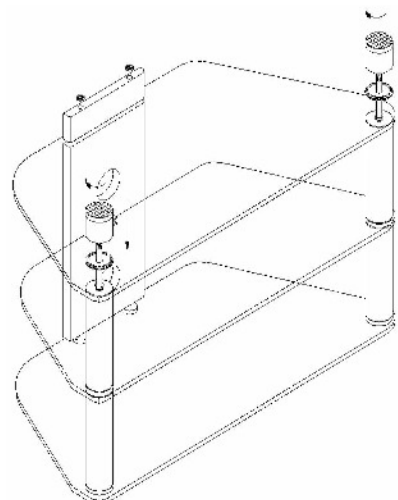
No.	Part Description	Drawing of part for ID	Qty
7	201mm metal tube		2
9	Plastic spacers		4

4



No.	Part Description	Drawing of part for ID	Qty
4	Small MDF Panel		1
4	Foot bolts		2

5



No.	Part Description	Drawing of part for ID	Qty
8	60mm tube		2
9	Plastic Spacers		2

6

