



STANDARD  
furniture  
GRAND DESIGNS

ASSEMBLY INSTRUCTION  
ROCHESTER UPH BED  
GROUP NO: 92000

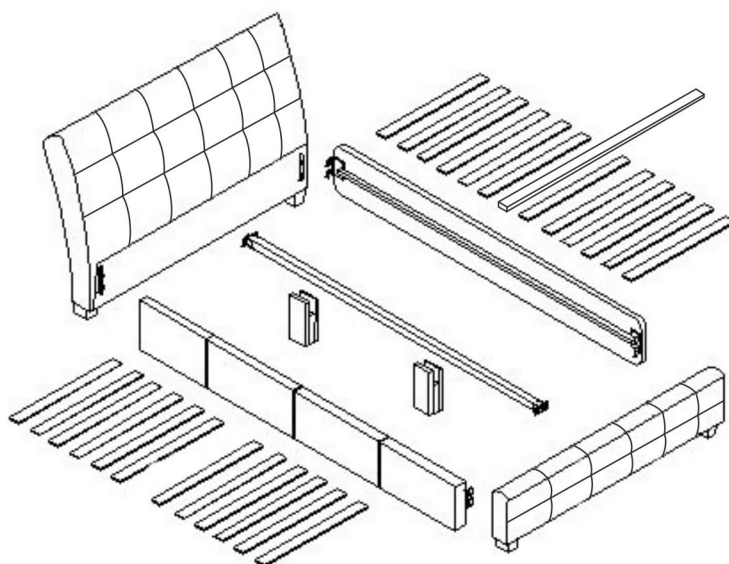
PAGE 1 OF 3

Read instruction carefully prior to assembly.

Thank you for purchasing this quality product. Check carefully for small parts which may have come loose during shipment.

Remove all components from pack and assemble near area that bed is to be placed.

Note: Do not fully tighten bolts and screws until bed is completely assembled.



NO	DRAWING	Q'TY
A		4PCS
B		4PCS
C		8PCS
D		24PCS

NO	DRAWING	Q'TY
E		12PCS
F		2PCS
G		12PCS
H		24PCS

NO	DRAWING	Q'TY
I		4pcs
J		4pcs
K		13pcs
L		1pc

NO	DRAWING	Q' TY
T-1	<b>Not Provided</b>	1
T-2		1
T-3		1

Cleaning instructions: Clean using soft cloth

Made in china



STANDARD  
furniture  
GRAND DESIGNS

## ASSEMBLY INSTRUCTION ROCHESTER UPH BED GROUP NO: 92000

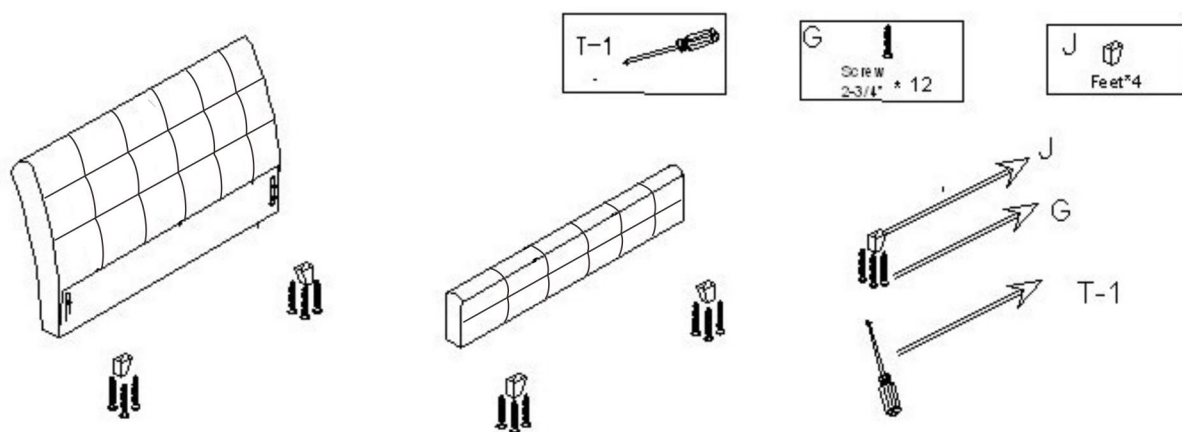
PAGE 2 OF 3

### Step 1

Attach legs to headboard and Footboard using screws (G).

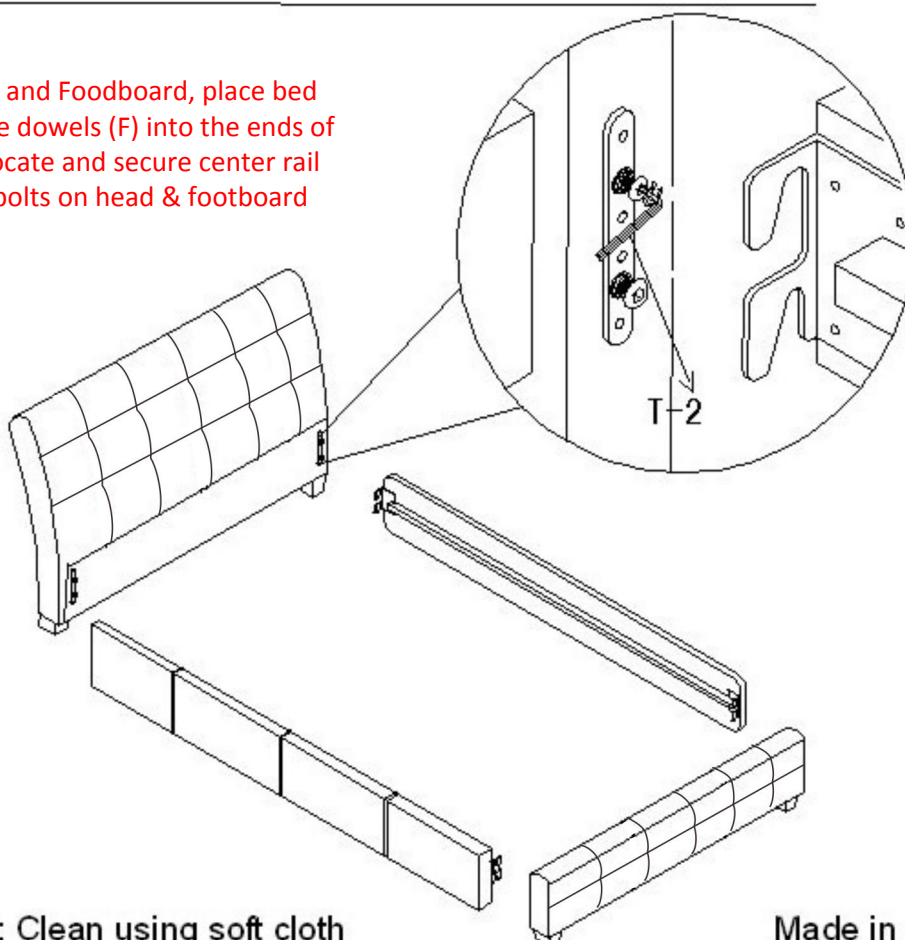
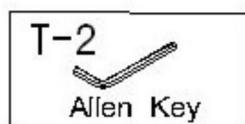
Insure that the "angled side" of legs are placed toward the inside of the headboard and Foodboard.

Note: Assembly made easier with use of a power driver. Be sure to tighten screws on each leg equally so legs are attached straight.



### Step 2

Loosen bolts on headboard and Foodboard, place bed rails into position, insert the dowels (F) into the ends of center rail. Using dowels, locate and secure center rail with 1" screws (K) Tighten bolts on head & footboard with Allen Key (T-2).

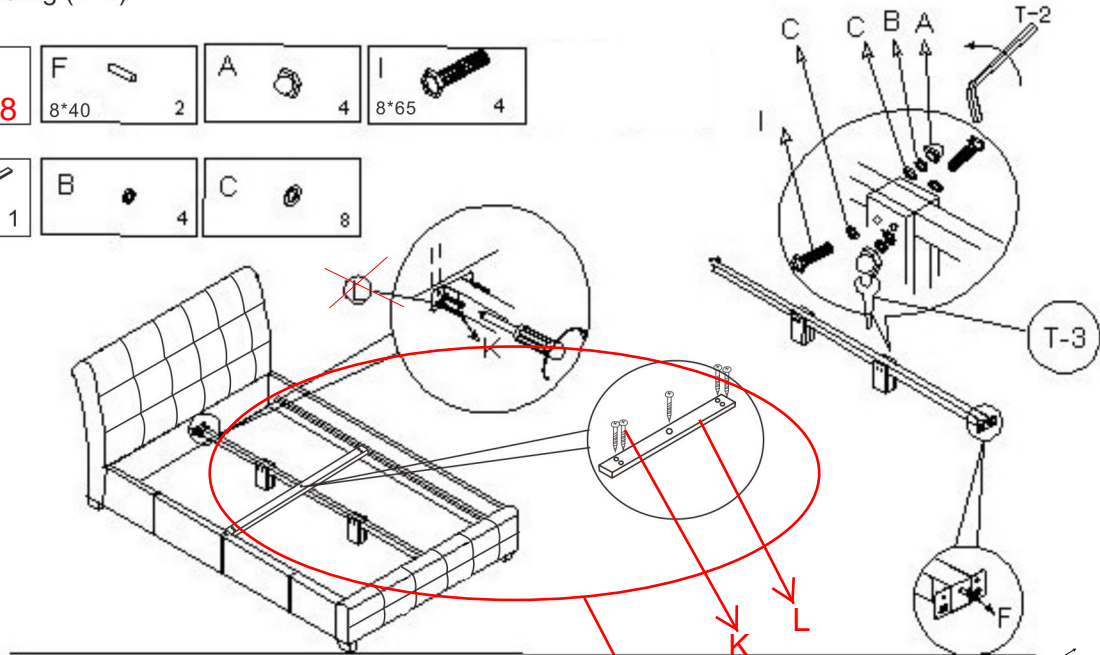
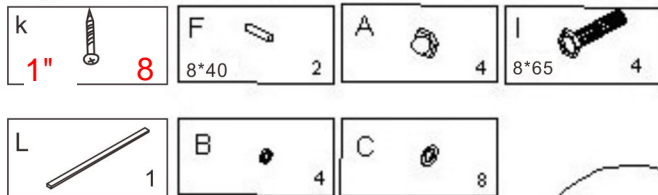


Cleaning instructions: Clean using soft cloth

Made in china

Step 3

Place(L) to the ends of center rail, Insert the dowels(F) into the ends of center rail. Using dowels, locate and secure center rail with 1-1/8" screws(K), Fasten center legs with(T-2) and(T-3) as showed. Tighten bolts on headboard & footboard with Allen Key(T-2). place(N) in the middle of centre support, Fasten it with (K) Using (T-1)



Step 3

Snap slat clips (E) onto the center rail, side clips (D) over one end of slats, insert slat into center rail clip then press slats in place on bed rails.

Place slat (L) in middle then secure it with 1" screw (K) onto side rail cleat and center rail, 2 screws on each end and 1 in middle.

