

# Assembly Instructions

## Intellect® Activity Table

November 2009

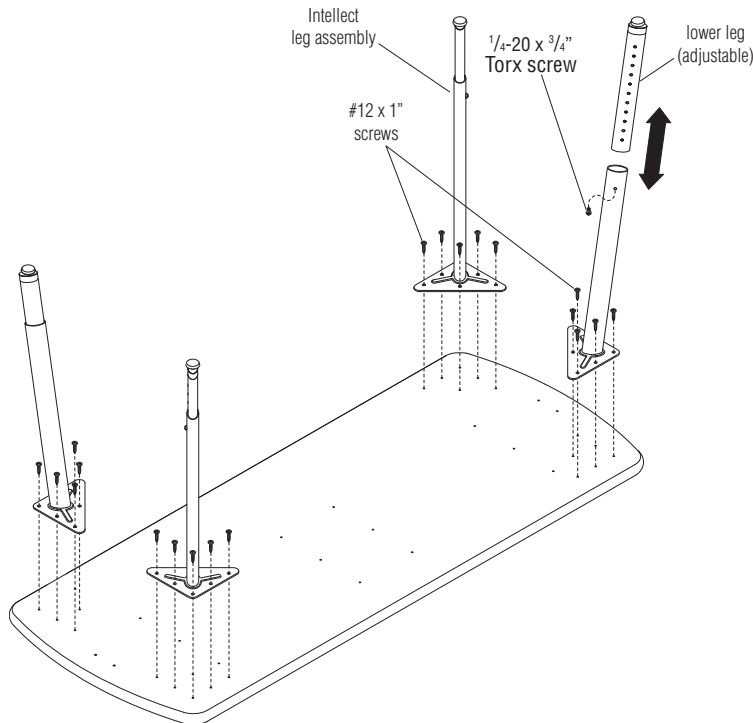


Figure 1

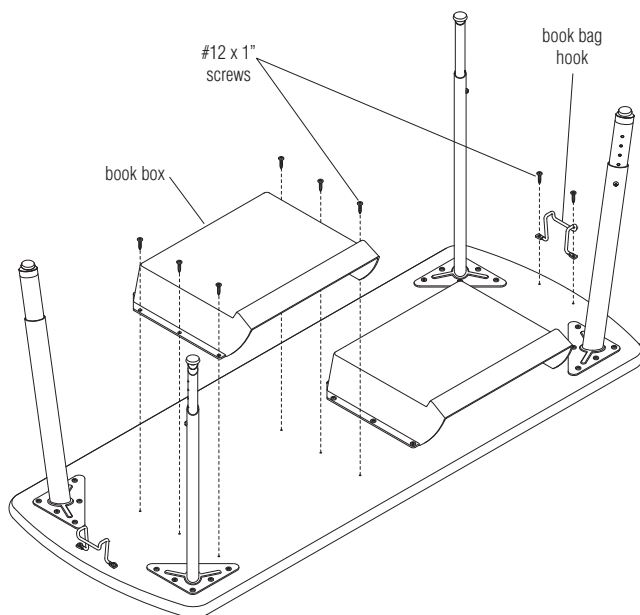
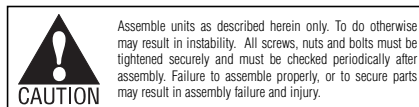


Figure 2



Assemble units as described herein only. To do otherwise may result in instability. All screws, nuts and bolts must be tightened securely and must be checked periodically after assembly. Failure to assemble properly, or to secure parts may result in assembly failure and injury.

### Table Leg Assembly

1. Carefully place table top upside down on a soft protective surface.
2. Position the leg assembly onto the table top, aligning the holes in the base with the pre-drilled holes in the table top. Secure the leg assembly to the top using six #12 x 1" screws at each base, but **do not over-tighten screws**. Repeat for other three legs (Figure 1).
3. Carefully turn table to the upright position.

### Table Height Adjustment

1. Carefully turn table upside down onto a soft protective surface.
2. Loosen the 1/4-20 x 3/4" Torx head screw on the leg assembly until the lower leg slides freely (Figure 1).
3. Position the lower leg to the desired table height and line up the hole in the lower leg with the loosened screw in the upper leg (Figure 1).
4. Re-tighten the screw and repeat the process for the remaining three legs (Figure 1).
5. Carefully turn the table back to the upright position.

### Book Box Assembly

1. Align the holes in the book box over the pre-drilled holes in the worksurface as illustrated (Figure 2).
2. Insert a total of nine #12 x 1" Phillips pan head screws through the mounting holes in the book box and into the under side of the worksurface. Secure with all nine screws, but **do not over-tighten screws** (Figure 2).

### Book Bag Hook Assembly

1. Align the holes in the book bag hook over the pre-drilled holes in the worksurface as illustrated (Figure 2).
2. Secure book bag hook to under side of worksurface using two #12 x 1" Phillips pan head screws. **Do not over-tighten screws** (Figure 2).