

# Admiral Simple Wall

600ADM5W

1.4



## GENERAL PRODUCT INFORMATION:

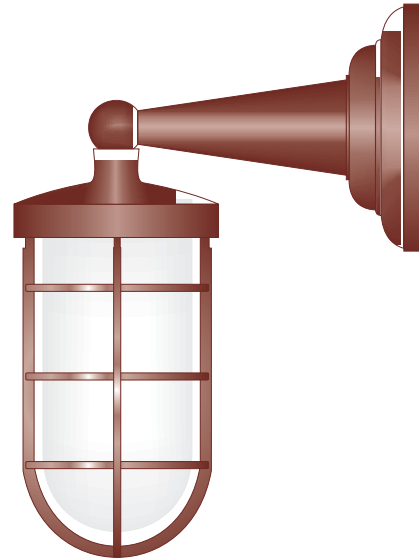


This product can mount to either a 4" square electrical box with round plaster ring or an octagon electrical box.

This product is suitable for wet locations.

This product can be dimmed with a standard incandescent dimmer.

This instruction shows a typical installation.

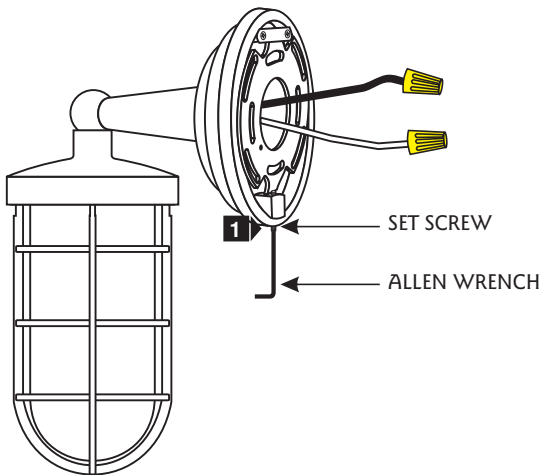


### CAUTION - RISK OF FIRE

This product requires installation by a qualified electrician. Before installing be sure to read all instructions and **TURN THE POWER TO THE ELECTRICAL BOX OFF.**

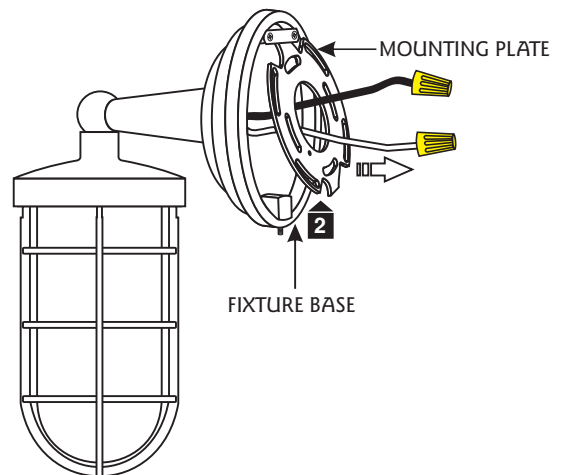
## Install the Fixture

1A

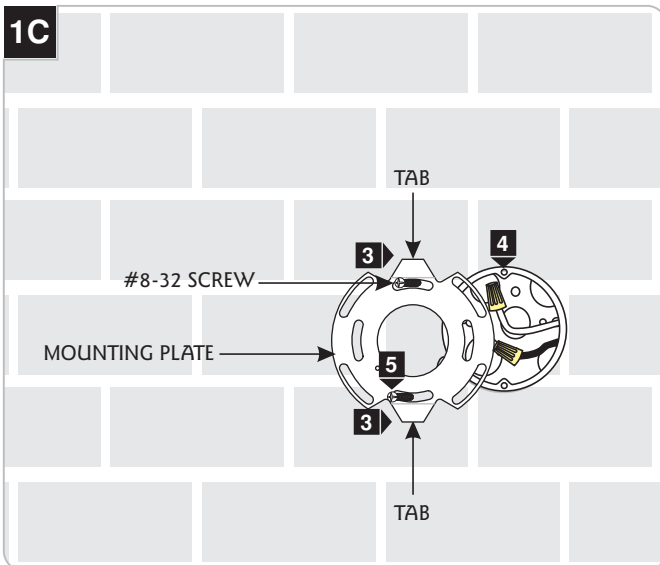


- 1 With the Allen wrench provided, back out (**Do Not Remove**) the set screw at the base of the sconce.

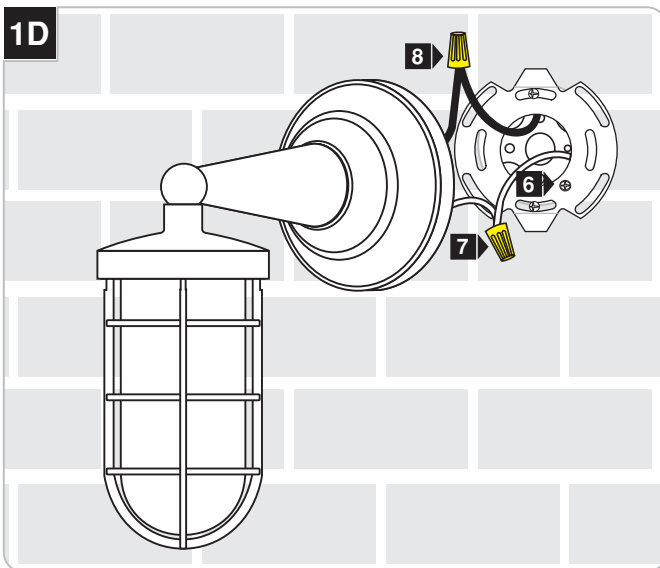
1B



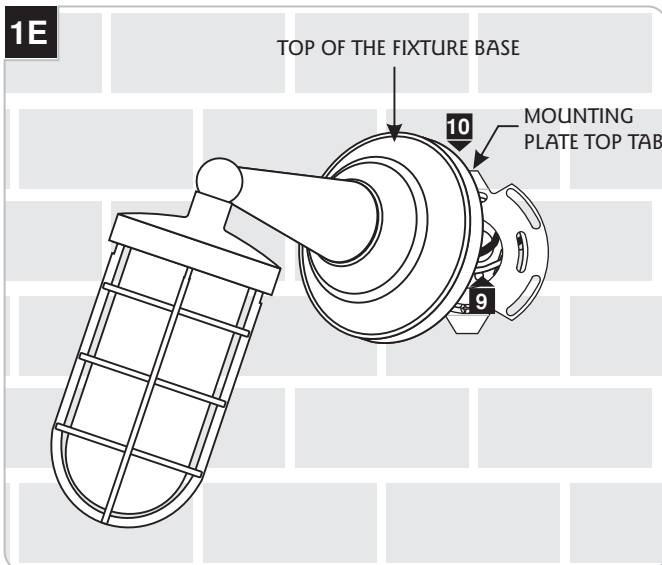
- 2 Pull out the mounting plate from the fixture base.

**1C**

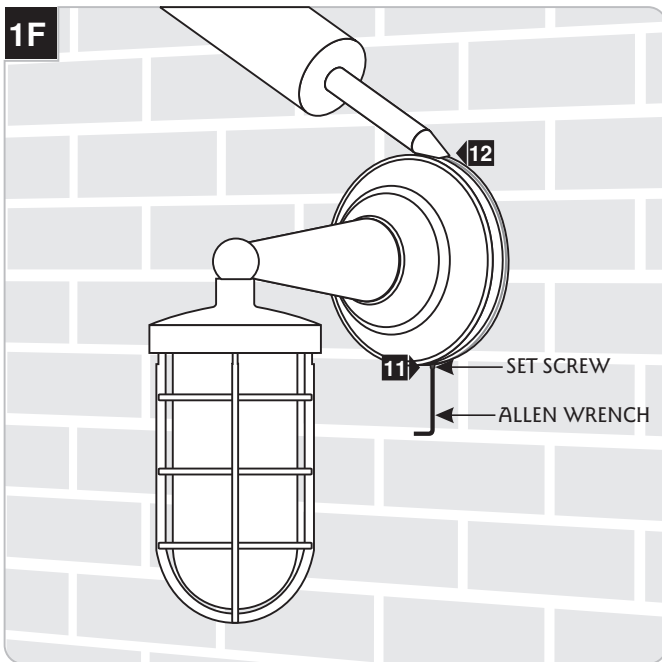
- 3** Make sure the two tabs on the mounting plate are positioned at the top and bottom of the plate.
- 4** Line up two mounting plate slots with the two electrical box holes.
- 5** Level the mounting plate and secure it to the electrical box with the two #8-32 screws provided.

**1D**

- 6** Ground the mounting plate in accordance with local electrical codes.
- 7** Connect the white fixture wire to the neutral power line wire with a wire nut.
- 8** Connect the black fixture wire to the hot power line wire with a wire nut.

**1E**

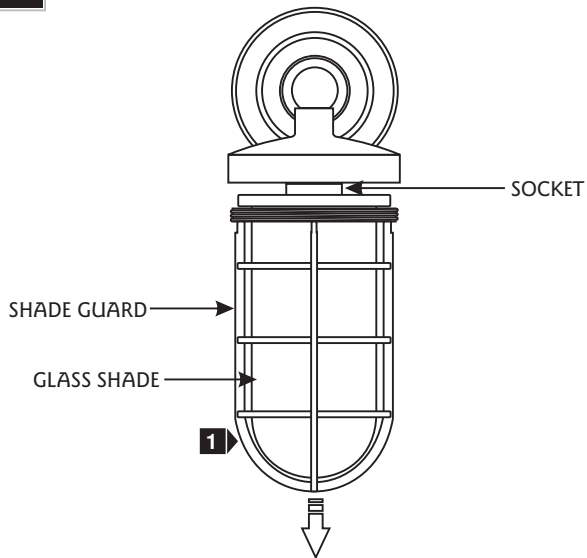
- 9** Place all wires and wire nut connections properly inside the electrical box.
- 10** Hook the top of the fixture base over the mounting plate top tab.

**1F**

- 11** Line up the fixture on the wall and then secure it to the mounting plate by tightening the set screw at the base of the fixture.
- 12** **For wet location installation,** caulk around the fixture base with waterproof construction sealant.

## Install the Lamp

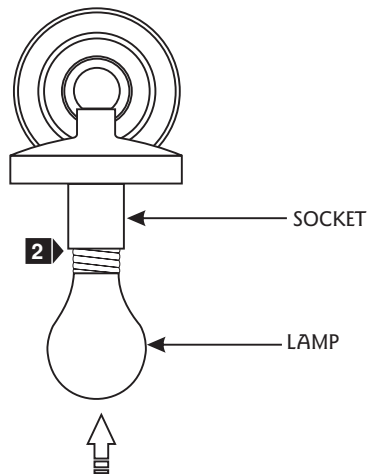
2A



**CAUTION:** To reduce the risk of a burn or electric shock during relamping, disconnect the power to the fixture.

- 1 Uncrew and remove the shade guard along with the glass shade. **Do not remove the gasket from the glass shade.**

2B

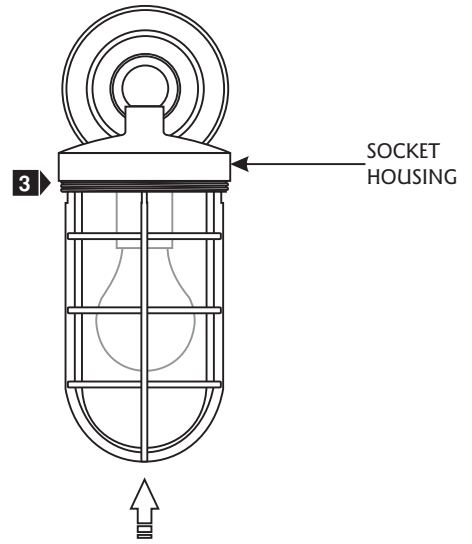


Use **MAX** 120 Volt, **100** Watt Type A19 Medium Base Lamp.



- 2 Screw the lamp into the socket.

2C



- 3 Carefully replace and tighten the shade guard along with the glass shade into the socket housing.

**NOTE:** Do not overtighten the shade guard which may cause the glass shade to break.

**SAVE THESE INSTRUCTIONS!**



7400 Linder Ave, Skokie, IL 60077  
847.410.4400

**[www.wilmettelighting.com](http://www.wilmettelighting.com)**

© 2008 Wilmette Lighting Company. All rights reserved. The "Wilmette Lighting Company" graphic is a registered trademark of Wilmette Lighting Company. Wilmette Lighting Company reserves the right to change specifications for product improvements without notification.

A Generation Brands Company