

# Tavern

600TVRS\_

1.3



## GENERAL PRODUCT INFORMATION:

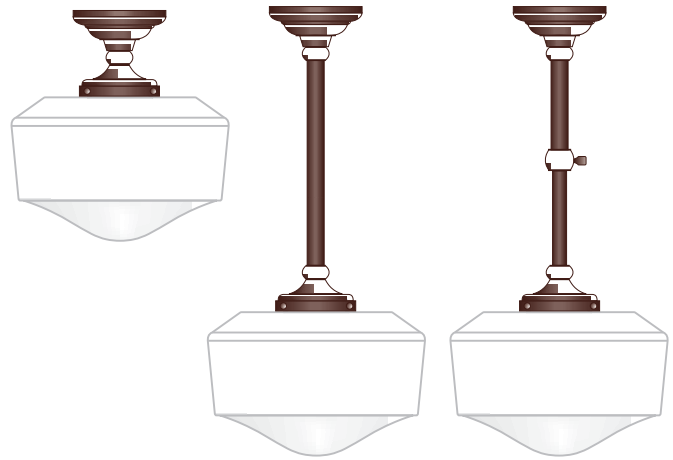


This product can mount to either a 4" square electrical box with round plaster ring or an octagon electrical box.

This product is suitable for indoor damp locations.

This product can be dimmed with a standard incandescent dimmer.

This instruction shows a typical installation.

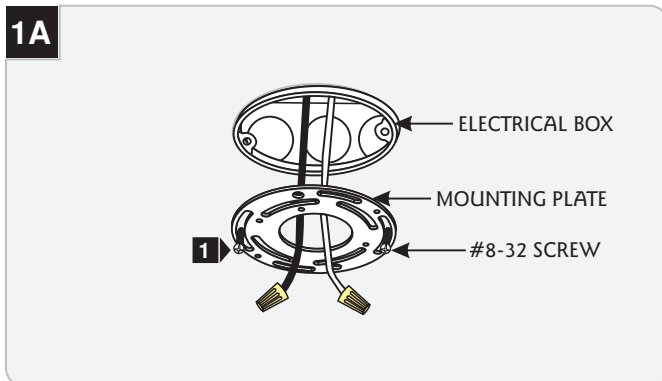


### CAUTION - RISK OF FIRE

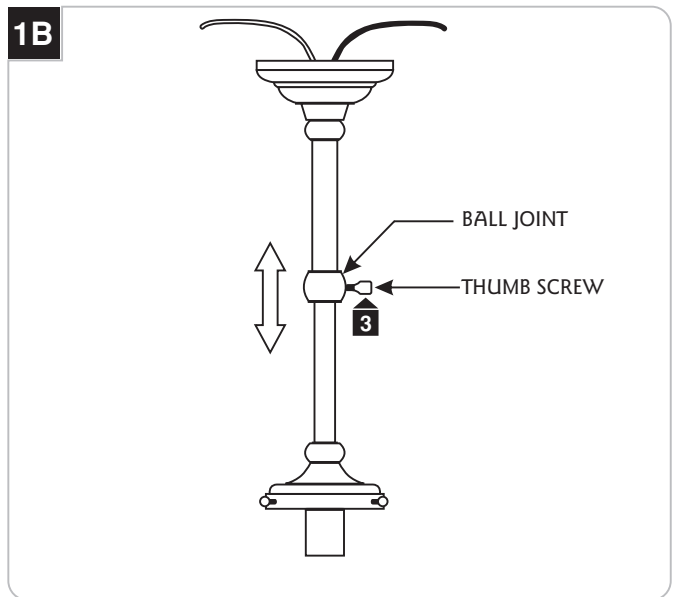
This product requires installation by a qualified electrician. Before installing be sure to read all instructions and **TURN THE POWER TO THE ELECTRICAL BOX OFF.**

**NOTE:** When the "Industrial Hang Straight" is used with the suspension fixture, refer to the instructions provided with the "Industrial Hang Straight" before continuing the following steps.

## Install the Fixture

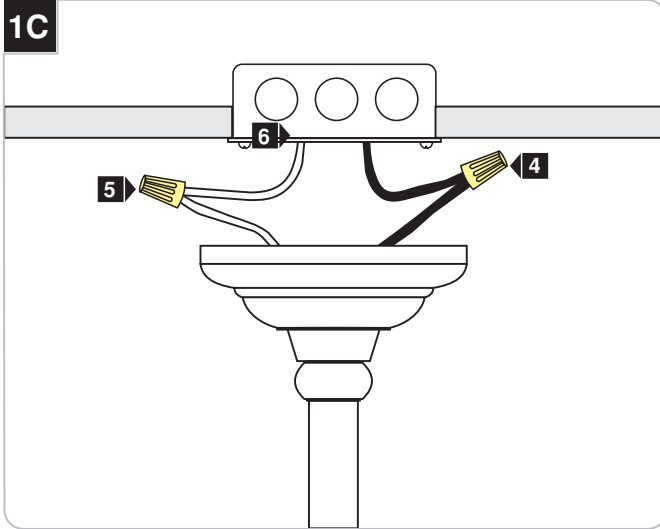


- 1** Install the mounting plate to the electrical box with the two #8-32 screws provided.
- 2** Make sure that the mounting plate is grounded in accordance with local electrical codes.

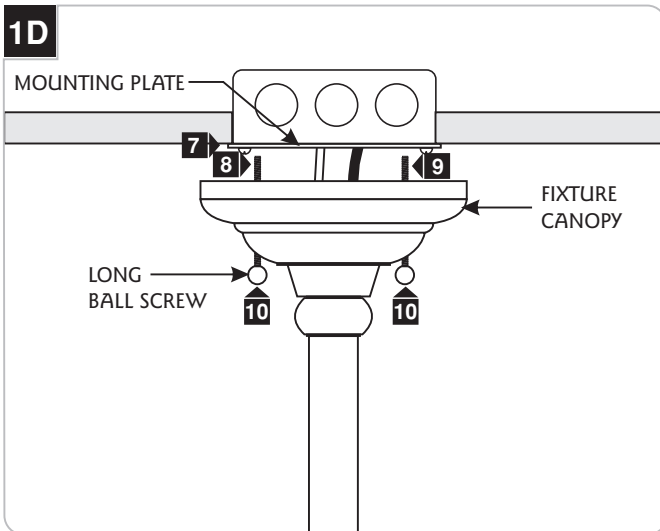


**NOTE:** Do not trim the excess fixture wires.

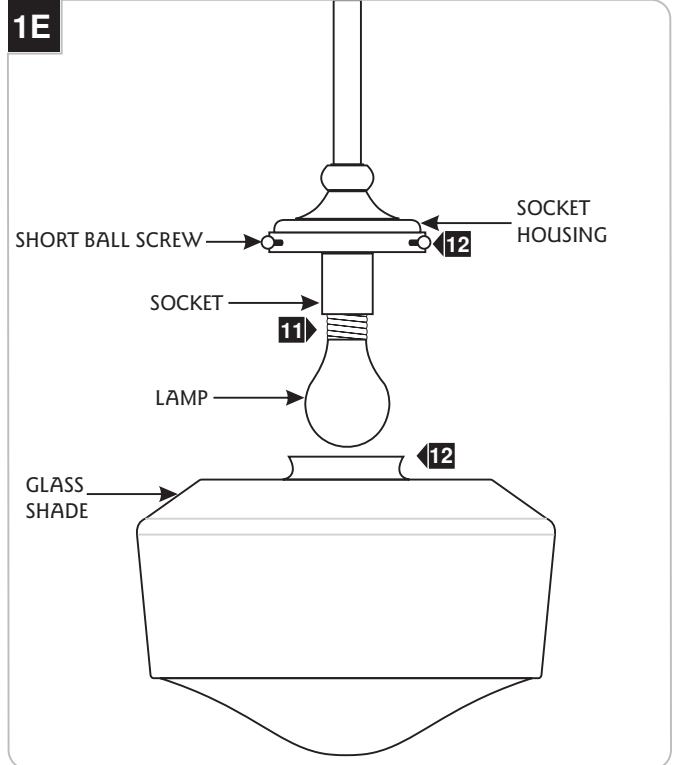
- 3** Loosen the thumb screw on ball joint and bring the Telescoping fixture to a full extension before installing it to the electrical box. Tighten the thumb screw. **Omit this step for Rigid suspension and Ceiling versions.**



- 4 Connect the black fixture wire to the hot power line wire with a wire nut.
- 5 Connect the white fixture wire to the neutral power line wire with a wire nut.
- 6 Place all wires and wire nut connections inside the electrical box.



- 7 Locate two screw holes on the mounting plate that are 2-3/4" apart. These screw holes will be used to install the fixture canopy to the mounting plate.
- 8 Thread (**not completely**) a long ball screw through the canopy hole into one screw hole on the mounting plate.
- 9 Align and thread the second long ball screw through the other canopy hole into the other screw hole on the mounting plate.
- 10 Tighten the two long ball screws to secure the fixture in place.



Use **MAX** 120 Volt, **100** Watt Type A19 Medium Base Lamp.



- 11 Screw the lamp into the socket.
- 12 Place the glass shade completely into the socket housing and tighten the three short ball screws to secure it in place.

**NOTE:** To replace the lamp, support the glass shade while loosening (**Do Not Remove**) the three ball screws. Remove the glass shade and old lamp and follow steps 11 and 12.

- 13 For Telescoping fixture (see figure 1B on page 1), loosen (**Do Not Remove**) the thumb screw on ball joint to adjust the fixture height. After achieving the desired height tighten the thumb screw. **Omit this step for Rigid suspension and Ceiling versions.**

**SAVE THESE INSTRUCTIONS!**

WILMETTE LIGHTING  
COMPANY

7400 Linder Ave, Skokie, IL 60077  
847.410.4400

[www.wilmettelighting.com](http://www.wilmettelighting.com)

© 2008 Wilmette Lighting Company. All rights reserved. The "Wilmette Lighting Company" graphic is a registered trademark of Wilmette Lighting Company. Wilmette Lighting Company reserves the right to change specifications for product improvements without notification.

A Generation Brands Company