

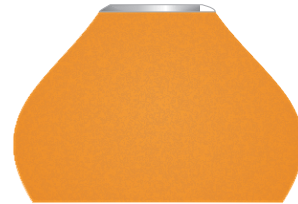


**GENERAL PRODUCT INFORMATION:**

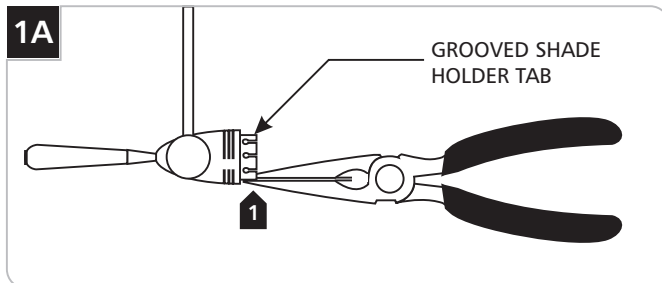


This product is suitable for indoor dry locations only.

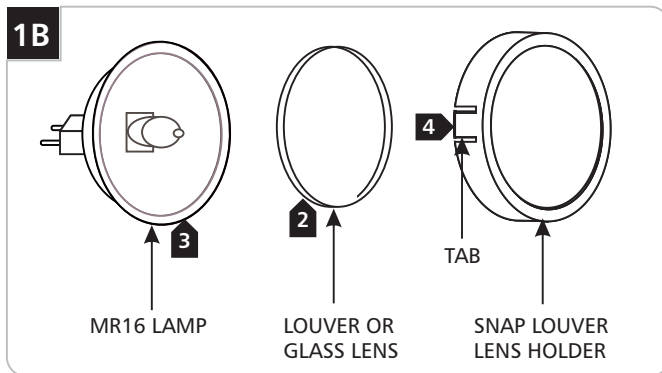
This product must be used with Tech Lighting systems only.



**Installing the Scavo Accessory**



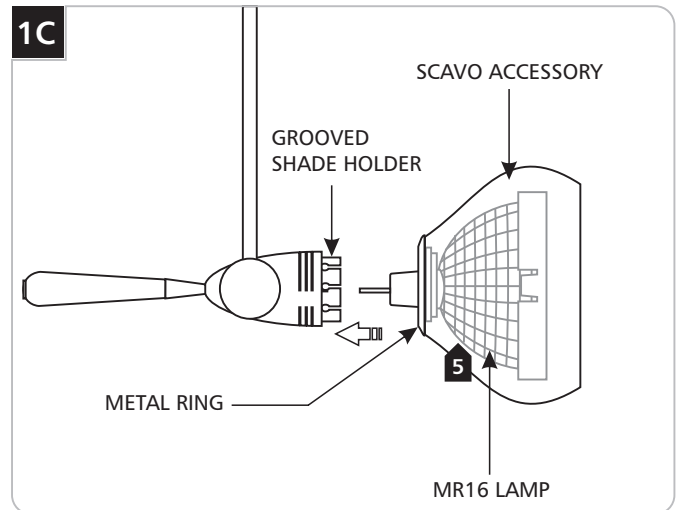
**1** If the Scavo accessory fits tight onto the fixture, then carefully bend the grooved shade holder tabs in slightly with the needle-nose pliers. If it fits loose, then carefully bend the grooved shade holder tabs out slightly with the needle-nose pliers.



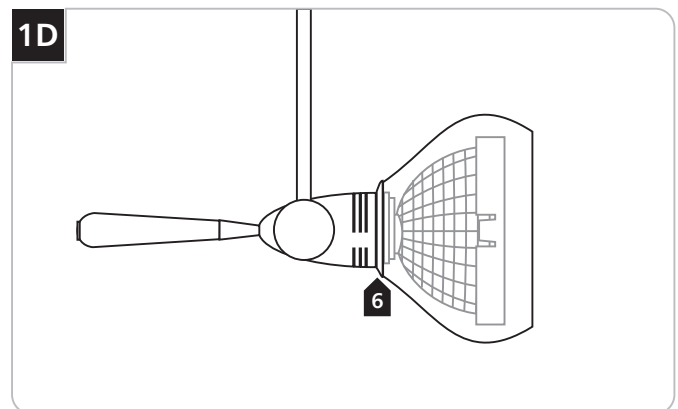
Use **MAX 50 Watt MR16 Front Cover Halogen Lamp.**



- 2** Place the louver or the glass lens (optional) into the Snap Louver Lens Holder.
- 3** Place the MR16 lamp into the Snap Louver Lens Holder.
- 4** Press the tabs on both sides of the Snap Louver Lens Holder against the MR16 lamp to keep it in the position.



**5** Place the MR16 lamp into the Scavo accessory.



**6** Hold the lamp against the glass with the thumb and push the lamp pins completely into the socket holes; simultaneously push the Scavo accessory metal ring onto the grooved shade holder.

**SAVE THESE INSTRUCTIONS!**



**TECH LIGHTING®**

7400 Linder Ave.  
Skokie, IL 60077  
847.410.4400

[www.techlighting.com](http://www.techlighting.com)