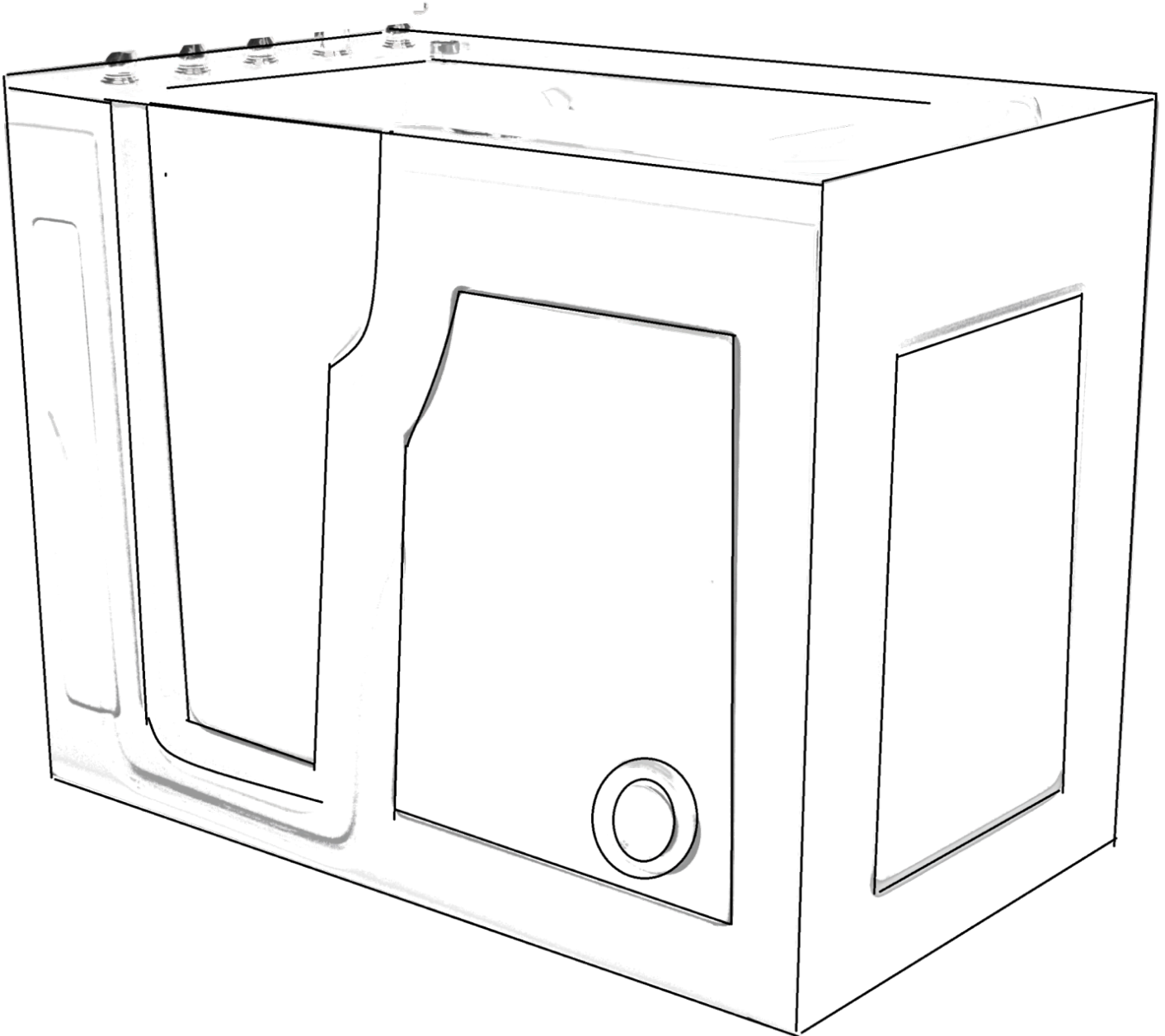




# Lifeguard Walk In Tub Installation Manual



*All Images are for illustration purposes only.*



# Table of Contents

<b>Warnings and Safety Instructions .....</b>	<b>Pages 3-6</b>
<b>Part 1: Setting Up the Tub .....</b>	<b>Pages 7-8</b>
<b>Part 2: Finishing the Tub Installation .....</b>	<b>Pages 9-10</b>
<b>Part 3: Drain Stopper Installation .....</b>	<b>Page 11</b>
<b>Part 4: Drain Over Flow .....</b>	<b>Page 12 - 14</b>
<b>Electric Component .....</b>	<b>Page 15</b>



## **IMPORTANT SAFETY INSTRUCTIONS**

***PLEASE READ AND FOLLOW ALL INSTRUCTIONS PROVIDED CAREFULLY***

**DANGER:** RISK OF ELECTRIC SHOCK. CONNECT ONLY TO A CIRCUIT PROTECTED BY A GROUND-FAULT CIRCUIT-INTERRUPTER.

### **INSTALL TO PERMIT ACCESS FOR SERVICING**

AN EQUIPMENT GROUNDING TERMINAL IS PROVIDED IN THE FIELD WIRING COMPARTMENT. TO REDUCE THE RISK OF ELECTRIC SHOCK, THIS TERMINAL MUST BE CONNECTED TO THE GROUNDING MEANS PROVIDED IN THE ELECTRIC SUPPLY PANEL WITH A CONDUCTOR EQUIVALENT IN SIZE TO THE CIRCUIT CONDUCTORS SUPPLYING THIS EQUIPMENT

### **FOR INDOOR USE ONLY**

**INSTALL IN ACCORDANCE WITH THE MANUFACTURER'S  
INSTALLATION INSTRUCTIONS**

**REQUIRES 2 DEDICATED 20A CIRCUITS RUN TO GFI PLUGS**

**CONNECT ONLY TO A CIRCUIT PROTECTED BY A CLASS A  
GROUND FAULT**

**CONNECT ONLY TO A CIRCUIT PROTECTED BY AN OVERCURRENT  
PROTECTION DEVICE RATED MORE THAN 30A**

**BONDING LUGS USE COPPER CONDUCTORS ONLY**

**CAUTION: RISK OF ELECTRIC SHOCK. DISCONNECT ELECTRIC  
POWER BEFORE SERVICING**

**SAVE THESE INSTRUCTIONS**

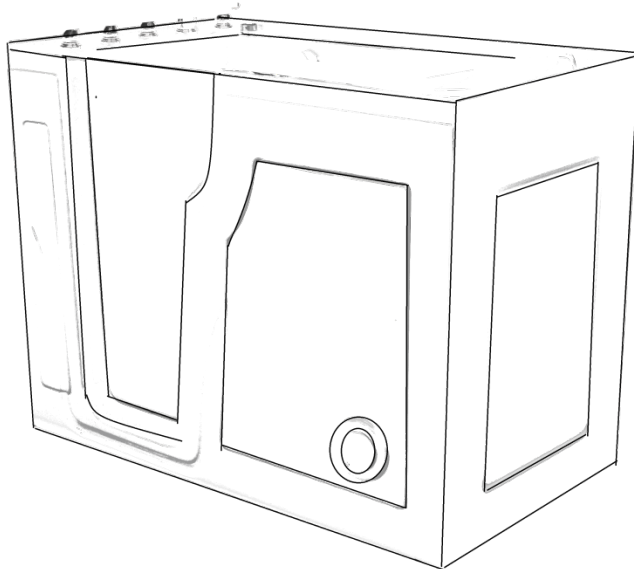


## WARNINGS

Warning: When using electrical products basic precautions should always be followed; including the following:

1. Grounding is required. The unit should be installed by a qualified service representative and grounded.
2. **NEVER** run any cords through or near heaters, pumps, or any device designed to increase water temperatures or produce heat during normal operations.
3. Be sure to install proper bracing and supports to handle the weight of these units. When full; weight can exceed 1000lbs

***This manual has been provided to aid the installer during the installation process. It is highly recommended that your walk-in bathtub be installed by a properly licensed plumber or contractor. Failure to do so will void your warranty.***





## PLEASE READ BEFORE USING TUB

**Warning:** Risk of accidental injury or drowning. Children should not use a walk-in bathtub without adult supervision

**Warning:** Risk of accidental injury or drowning. Do not use hydromassage bathtub unless all suction guards are installed to prevent body and hair entrapment

**Warning:** To avoid injury, exercise care when entering or exiting the hydromassage bathtub.

**Warning:** Risk of Accidental injury or drowning. Do not use drugs or alcohol before or during the use of a walk-in bathtub equipped with heater to avoid unconsciousness and possible drowning

**Warning:** Risk of fetal injury. Pregnant or possible pregnant women should consult with a physician before using a walk-in a bathtub equipped with a heater.

**Warning:** Risk of hyperthermia and possible drowning, Do not use a hydromassage bathtub equipped with a heater immediately following strenuous exercise

**Caution:** Test the GFI protecting this appliance periodically in accordance with manufacturer's instructions.

**Warning:** Risk of hyperthermia and possible drowning, water temperature in excess of 38°C May be injurious to your health. Check and adjust water temperature before use.

**Warning:** Risk of hyperthermia, people using medications and/or having an adverse medical history should consult a physician before using a hydromassage bathtub equipped with heater.

**Warning:** Risk of Electric shock, do not permit electric appliances such as Hair dryer, lamp, telephone, radio or television within 5ft of this hydromassage bath.



## **Important Notes**

1. **NEVER LIFT A WHIRLPOOL BATHTUB BY THE PIPES!** By doing this you can cause severe damage to the whirlpool system. Always lift the unit by the frame to avoid the risk of any damage to the unit or the whirlpool system.
2. Before installation cover all of the jets and suction to minimize the chance of debris falling into them and creating a blockage
3. Never use the door as a handle for lifting or sitting during installation.
4. Be sure to cover the acrylic surface while setting tile and/or painting to avoid damaging the high gloss finish.
5. Do not dry wipe the unit during the cleaning process. Always vacuum the tub out prior to using mild soap and water and a fresh soft cloth to clean.
6. Tighten air jet trim covers prior to testing tub. Turn clockwise to tighten by hand. **DO NOT USE WRENCH:** use of wrench may lead to over tightening and breaking of fixture

***Important: Be sure to uncover all holes and blow out the door drain with compressed air before filling and testing after the installation has been completed!***



## **Part 1**

### **Setting up the tub**

- A) After Removing the old tub or shower check to make sure all walls are level.
- B) Remove any debris and double check for any obstruction that may interfere with your installation. (See Fig 1A)



Fig 1A

- C) Bring your new unit into the area and begin the install: Make sure that all sides fit to the walls and begin leveling the unit.
- D) Attach each foot of the tub to the floor. Check to make sure that the tub is leveled properly
- E) When adjusting begin with the 4 outer leveling legs and then proceed to the 2 inner feet



Fig 1B

F) Use the 6 leveling legs provided to adjust height and achieve uniform leveling of the tub. (Please see Fig 1C)

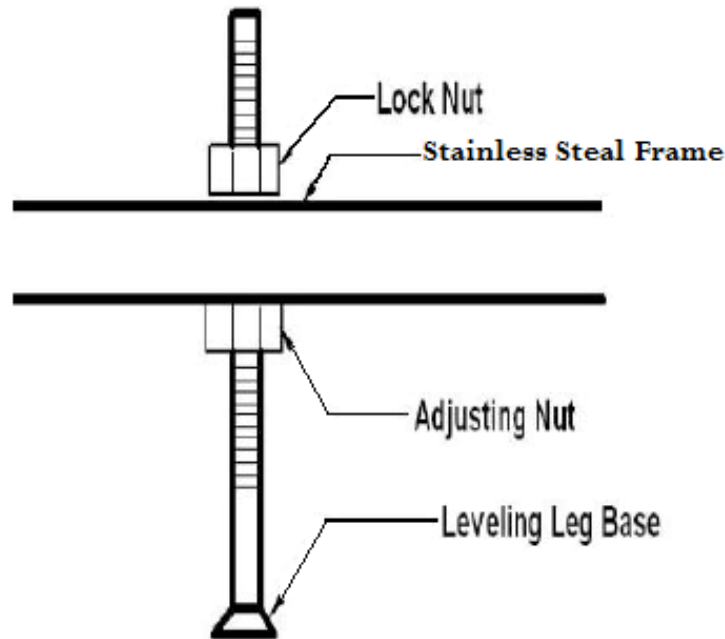


Fig 1C

G) Loosen the top (locking) nut by turning counter-clockwise. Next, loosen the bottom (adjusting) nut and move up or down according to leveling demands. After achieving the proper adjustment tighten the lock nut to secure the leveling leg.

**WARNING:**

**Over tightening of the nuts on frame can cause it to bend and void the warranty.**



## **After properly leveling the unit is ready for plumbing**

After your plumber has installed all necessary plumbing it is very important that you check for any leaks. Do not proceed further before checking for leaks and making sure the plumbing has been done correctly.

## **Part 2**

### **Finish the Tub Installation**

- A) Attach by framing out 1x3 or 2x4 wood beams
- B) Place extension panels and secure with epoxy or wood adhesive.
- C) Depending on the size of the unit chosen there may or may not be additional space left.
- D) If there is space it can be filled with an extension box. This will allow the space to be converted to a shelf area. (see Fig 2A)

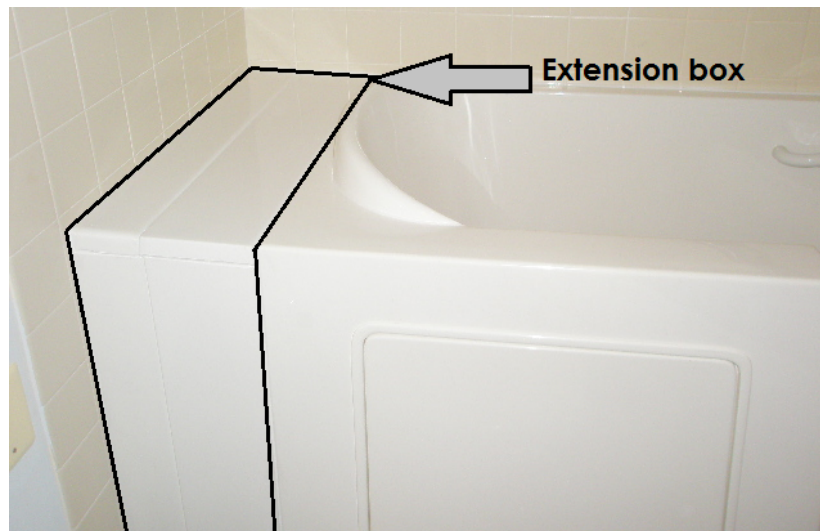


Fig 2A

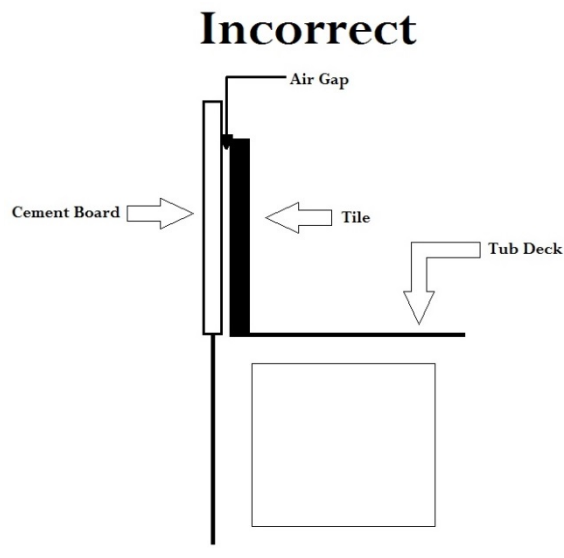
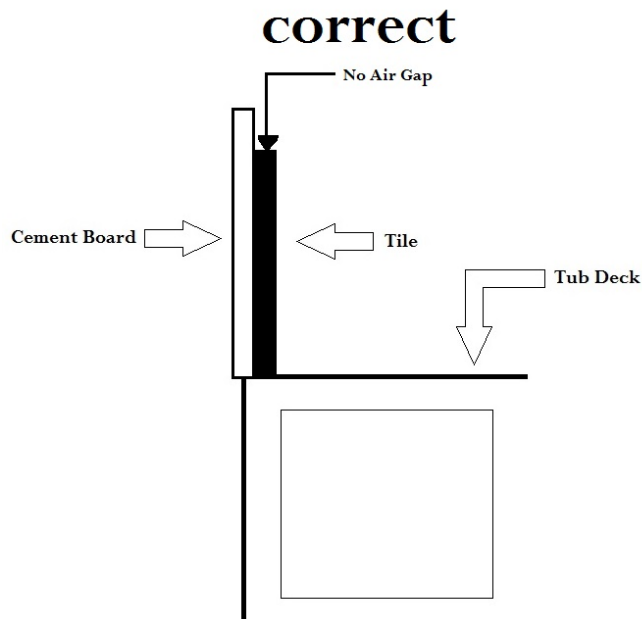
- E) Be sure to use waterproof materials surrounding the tub to avoid mold issues.
- F) The tub is now finished and you may now cover the wall with the customer's choice of materials. Make sure all materials are waterproof.

## Part 2

### Finish the Tub Installation Cont....

Figures 2B and 2C depict the correct and incorrect alignment of the tile flange and cement board. The picture labeled incorrect shows that the cement board is not lined up properly with the integral tile flange, leaving an air gap. The picture labeled correct indicates that the cement board has been installed ensured at a perfect tile angle.

There should be no gaps between the cement board and tile.



## Part 3

### Drain Stopper Adjustment

- 1) Lift the drain stopper out of the drain. (When activating the pop valve if it doesn't come up then the rod is set too short. Use a piece of tape to pull up drain plug.)
- 2) Locate the lock nut as shown in Figure 3A
- 3) Loosen the lock nut as shown in Figure 3B
- 4) Turn the adjusting bolt in or out to the desired height.
- 5) Tighten the lock nut
- 6) Insert the stopper back into the drain

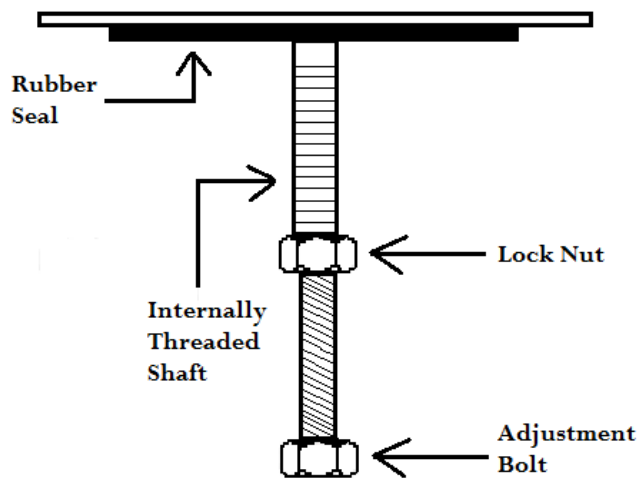


Fig 3A

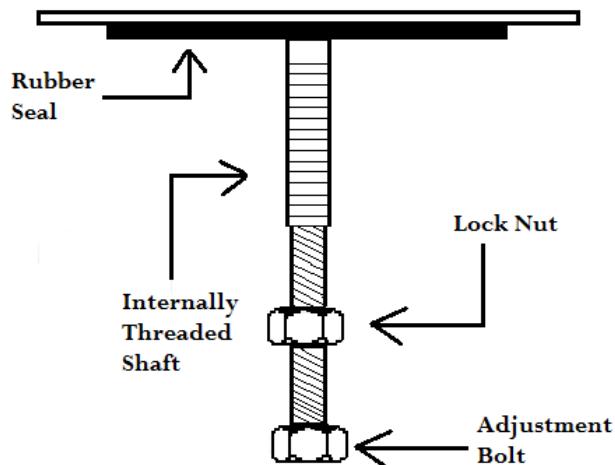


Fig 3B



## **Part 4**

### **Drain Overflow Installation**

**Drain Information:** A drain / overflow assembly is provided with the tub. It must be installed in the bathtub, water tested and connected to the sanitary system of the house. Some drain / overflow kits are packed with the waste flange, strainer, overflow cover, and fasteners, packed separately within the kit to protect the trim finish. Follow the installation instructions provided with the drain / overflow kit. After the drain is fully installed, test the unit for proper drainage. If the unit does not drain properly, rectify the condition before proceeding with installation. A+ Walk in tubs is not responsible for the removal or re-installation costs.

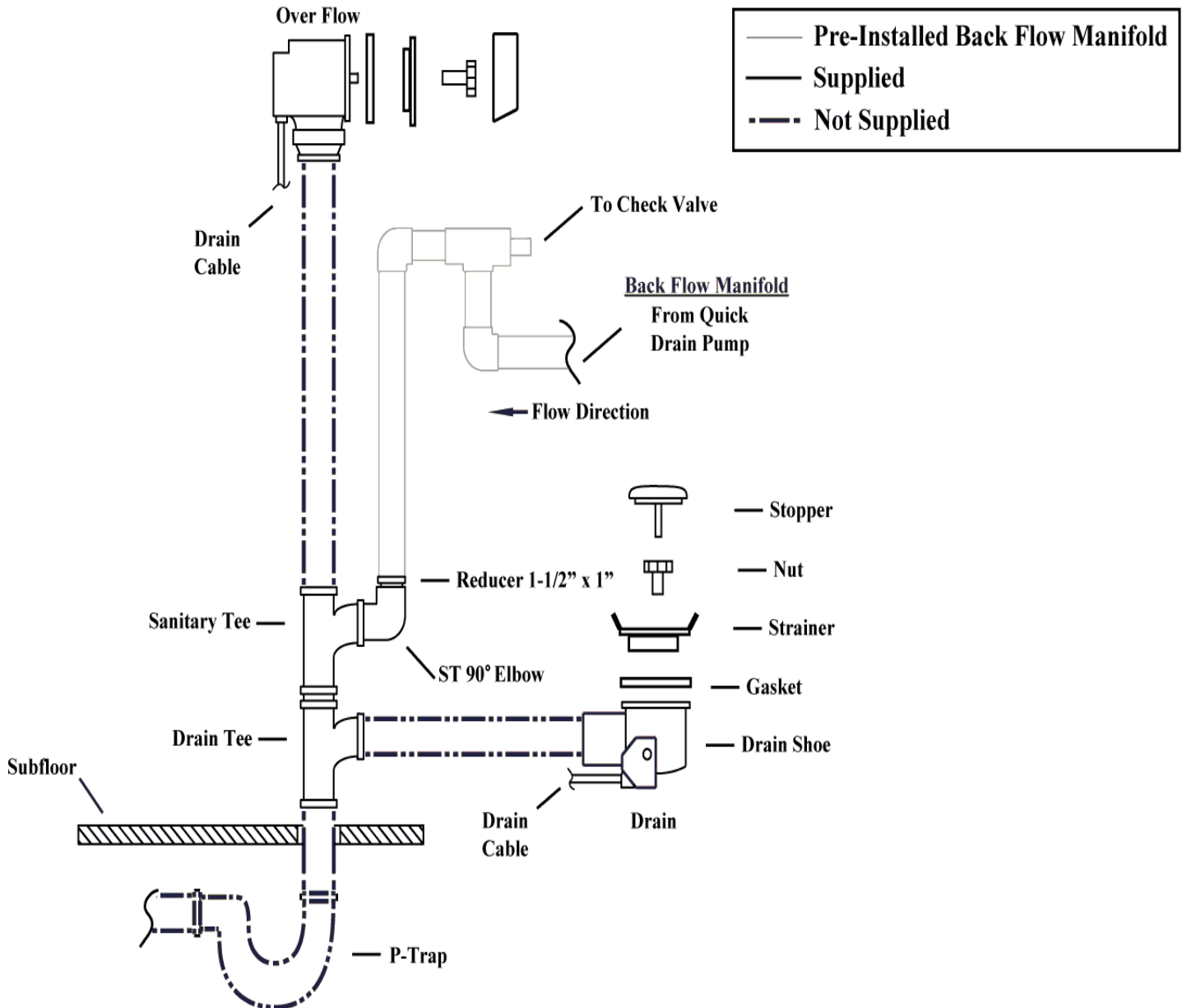
#### **Connection of the Speed Drain:**

- Speed Drain System requires the connection to a minimum 1 ½" sanitary drain line.
- Use UPC Approved PVC Glue, Primer, and Schedule 40 1 ½" pipe.
- Do not change or modify the location and or piping of the Back Flow Manifold
- The sanitary tee is installed directly above the drain tee with clearance not greater than 1".
- Dry fit the drain overflow assembly to the sanitary drainage pipe and check for proper fit.
- Glue the Speed Drain Fittings, pipe and drain overflow assembly to the sanitary drainage pipe.

#### **NOTE**

***We have taken reasonable precautions to ensure the Speed Drain is suitable for residential plumbing. It is the responsibility of the installer to insure the sanitary system is acceptable for the use of the Speed Drain. We do not accept responsibility for damage arising from the use of the Speed Drain.***

**Please See Diagram on Next Page →  
Drain Overflow Diagram**



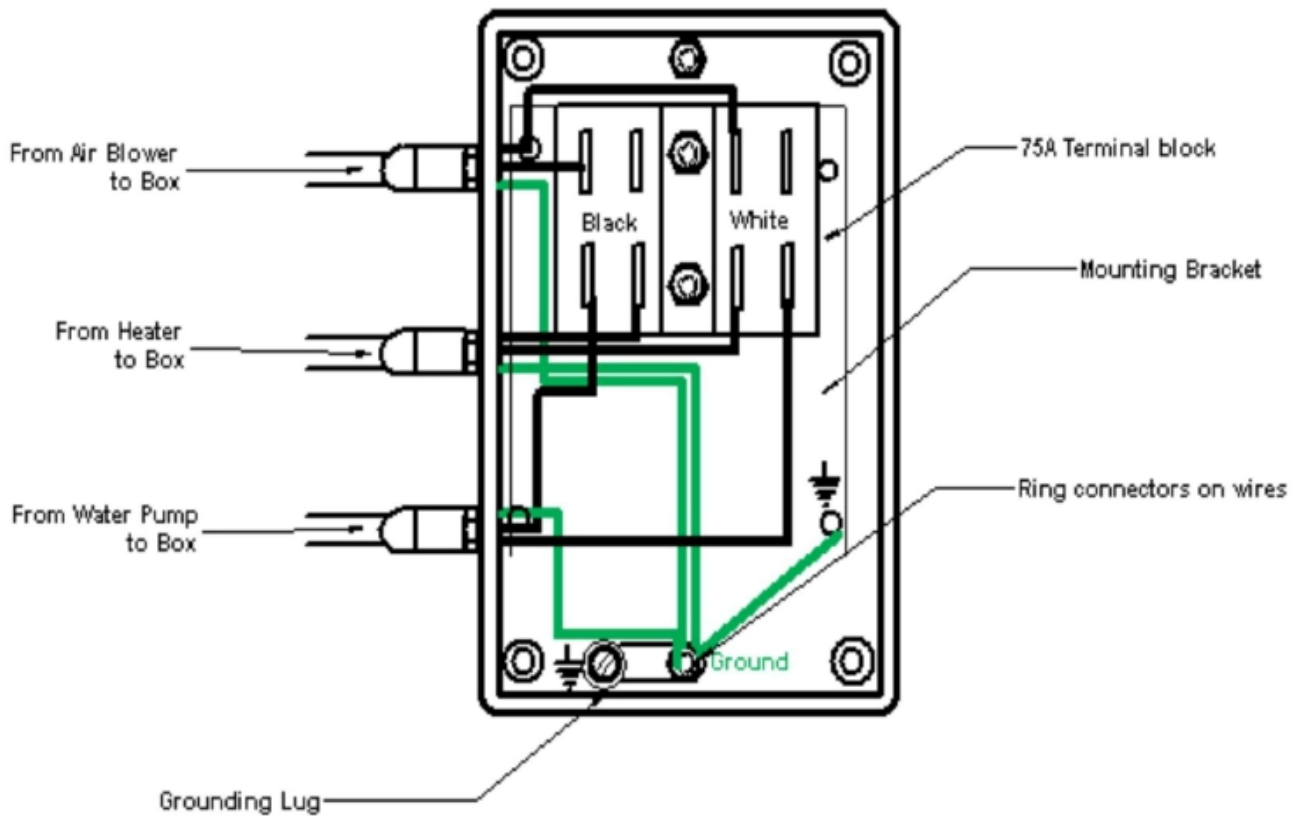
## Drain Assembly For Lifeguard



# Danger High Voltage

Disconnect power before opening the junction box for service

## Junction Box Wiring Diagram

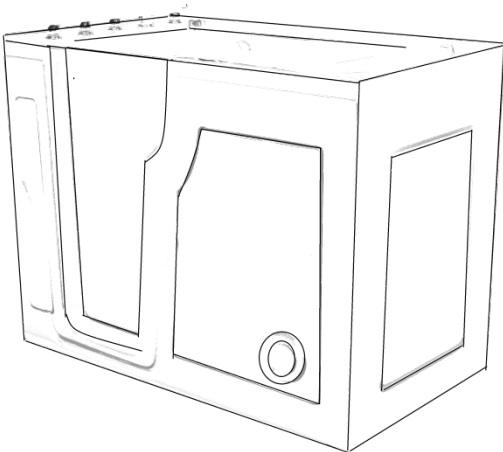




***Thank you for purchasing your A+ Walk-In Bathtub product. We hope that you will enjoy decades of safe and relaxing comfort, while bathing in your new Walk-In Bathtub.***

### Our Commitment to Quality

A+ Walk in Tubs are hand-crafted using the finest parts and materials available. Upon completion of the manufacturing and assembly process, they are subjected to strict quality control testing procedures; however in the event a problem should arise please contact our customer service department promptly, so that we are able to correct it in a timely manner.



Customer Service: 1-800-373-4322

