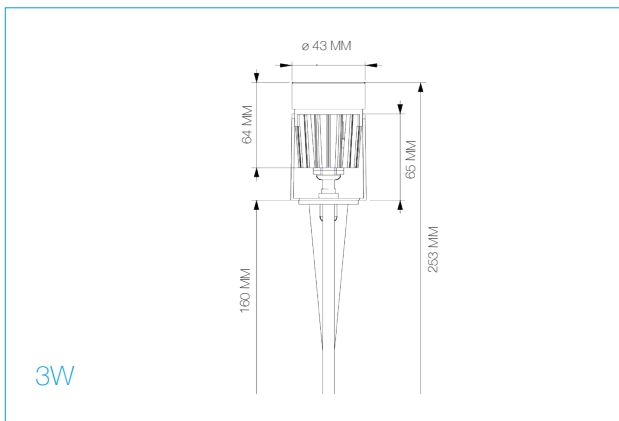


ASPK01 3W LED INTEGRATED GARDEN SPIKE LUMINAIRE



PRODUCT FEATURES

- Black Powder Coat Finish
- Cast Aluminium Body
- Halogen Style Lens
- High Output 3W LED
- Intergrated LED Driver
- Preflexed 2m Toughened Rubber Cable
- IP65
- Supplied with Spike



PRODUCT CODE	ASPK01/30	ASPK01/40	ASPK01/BL
Consumption	3W	3W	3W
Lumens	≤110 lm	≤120 lm	≤30 lm
Colour Temperature	3000K	4000K	Blue
Beam Angle	34°	34°	34°
CRI	>80	>80	>80
IP	IP65	IP65	IP65
Lifetime (Hours to lm70)	25,000 h	25,000 h	25,000 h
Voltage	220-240 V AC	220-240 V AC	220-240 V AC
Temperature	-20~+50°C	-20~+50°C	-20~+50°C