

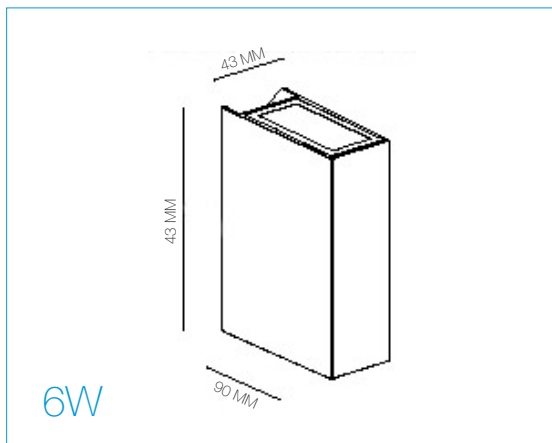
## TECHNICAL DATASHEET

AWL04  
6W LED DECORATIVE WALL LIGHT



### PRODUCT FEATURES

- Non-Corrosive Powder Coat Finish
- Cast Aluminium Body
- Up / Down Lighting Effect
- High Output LEDs
- Available in White or Anthracite
- Cree Diodes Inside



| PRODUCT CODE             | AWL04/WH     | AWL04/BK     |
|--------------------------|--------------|--------------|
| Consumption              | 6W (2x3w)    | 6W (2x3w)    |
| Lumens                   | 134 lm       | 134 lm       |
| Colour Temperature       | 3000K        | 3000K        |
| Beam Angle               | 65°          | 65°          |
| CRI                      | >80          | >80          |
| IP                       | IP54         | IP54         |
| Lifetime (Hours to lm70) | 25,000 h     | 25,000 h     |
| Voltage                  | 200-240 V AC | 200-240 V AC |
| Temperature              | -20°C ~ 55°C | -20°C ~ 55°C |