

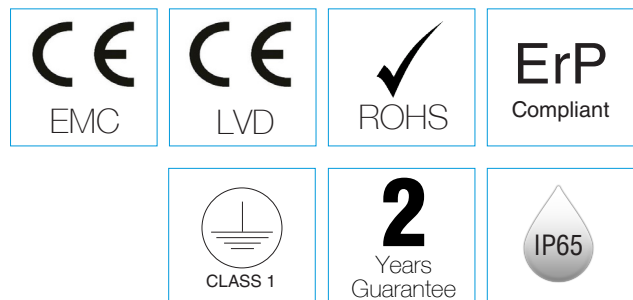
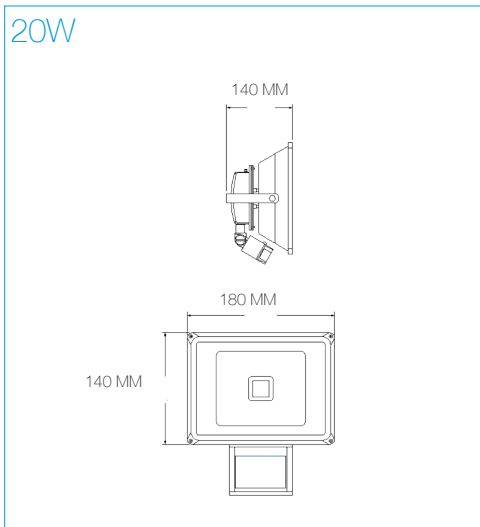
TECHNICAL DATASHEET

AFLD020PIR
COB LED FLOODLIGHT WITH PIR



PRODUCT FEATURES

- COB LED
- Pre- Flexed In Cable
- Black Powder Coat Finish
- IP65



PRODUCT CODE	AFLD020PIR
Consumption	20W
Beam Angle	120°
CRI	>70
IP	IP65
Lifetime (Hours to Im70)	30,000 h
Voltage	100-240 V AC