

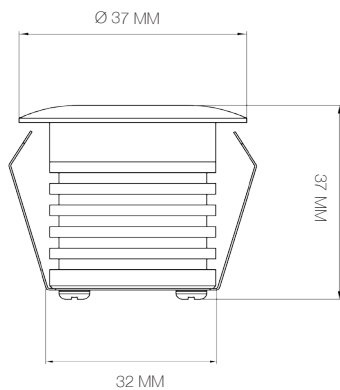
TECHNICAL DATASHEET

1W LED POWDER-COAT MARKER LIGHT



PRODUCT FEATURES

- Powder Coated Polar White Finish
- Integrated Lens
- Ideal for Use in Bathrooms
- Cree Diode Inside
- Ideal Walk-Over Luminaire
- Paintable Finish



PRODUCT CODE	AMKR032WH/30	AMKR032WH/40	AMKR032WH/BL
Consumption	1W	1W	1W
Lumens	≤85 lm	≤95 lm	≤40 lm
Colour Temperature	3000K	4000K	BLUE
Beam Angle	45°	45°	45°
CRI	>80	>80	>80
IP	IP65	IP65	IP65
Lifetime (Hours to lm70)	50,000 h	50,000 h	50,000 h
Operating Current	350mA	350mA	350mA
Temperature	-20~+50°C	-20~+50°C	-20~+50°C