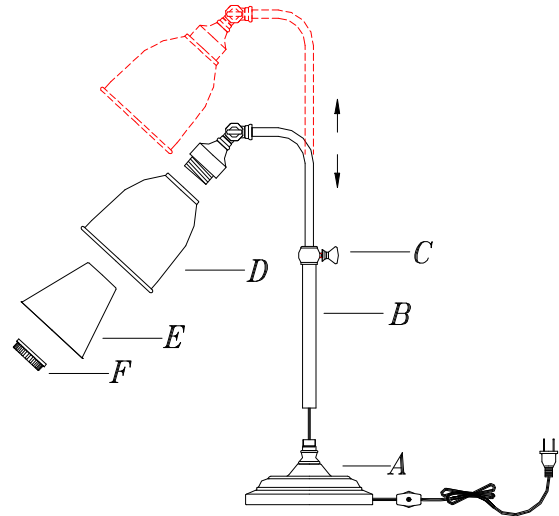


ASSEMBLY INSTRUCTIONS:

ITEM NO.: BO-2032TB-RU

1. Carefully unpack and lay out the parts as shown in illustration.
2. Screw lamp body (B) onto base (A).
3. Put reflector (E), shade (D) onto socket on lamp body (B), then tighten it with ring (F).
4. Loosen screw (C) a little, adjust the lamp to a suitable height (please gently pull the cord when lower the lamp height), then tighten screw (C).



Your lamp now is ready to enjoy

Use 60 Wattage (Maximum) type A bulb (bulb not included)

IMPORTANT SAFETY INSTRUCTIONS:

THIS PORTABLE LAMP HAS A POLARIZED PLUG (ONE BLADE IS WIDER THAN THE OTHER) AS A SAFETY FEATURE TO REDUCE THE RISK OF ELECTRIC SHOCK. THIS PLUG WILL FIT IN A POLARIZED OUTLET ONLY ONE WAY. IF IT DOES NOT FIT FULLY IN THE OUTLET, REVERSE THE PLUG. IF IT STILL DOES NOT FIT, CONTACT A QUALIFIED ELECTRICIAN. NEVER USE WITH AN EXTENSION CORD UNLESS THE PLUG CAN BE FULLY AND EASILY INSERTED. DO NOT ATTEMPT TO ALTER THE PLUG.

SAVE THESE INSTRUCTIONS FOR FUTURE REFERENCE.