

Ax16



Bx8



Cx8



Dx2



Ex2



Fx2



Gx2



Hx2



Ix24

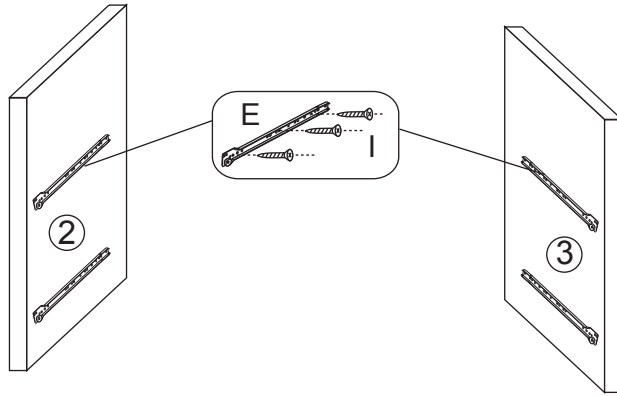


Jx4

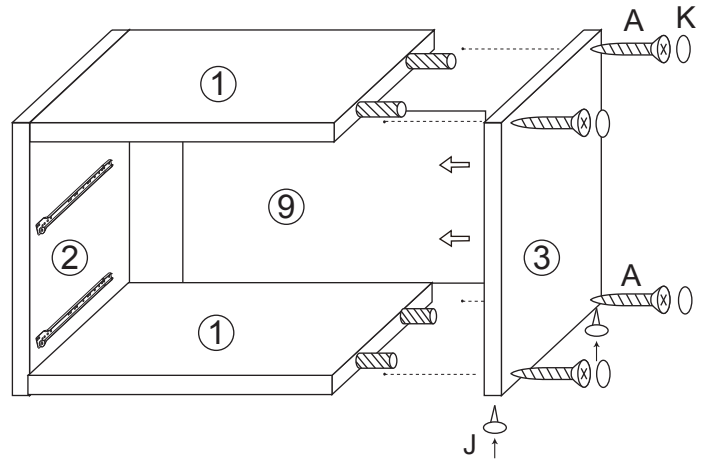
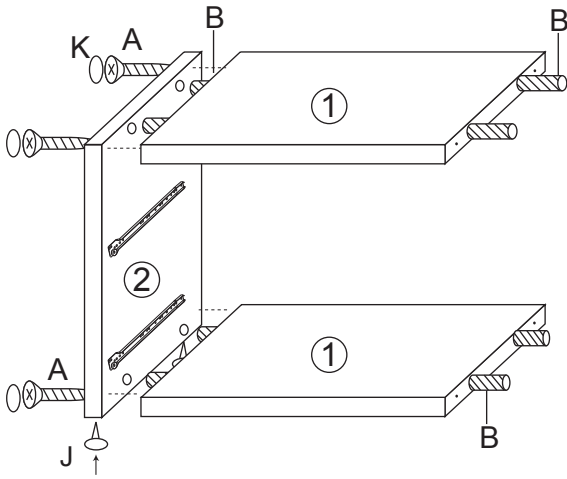


Kx1

1



2



3

