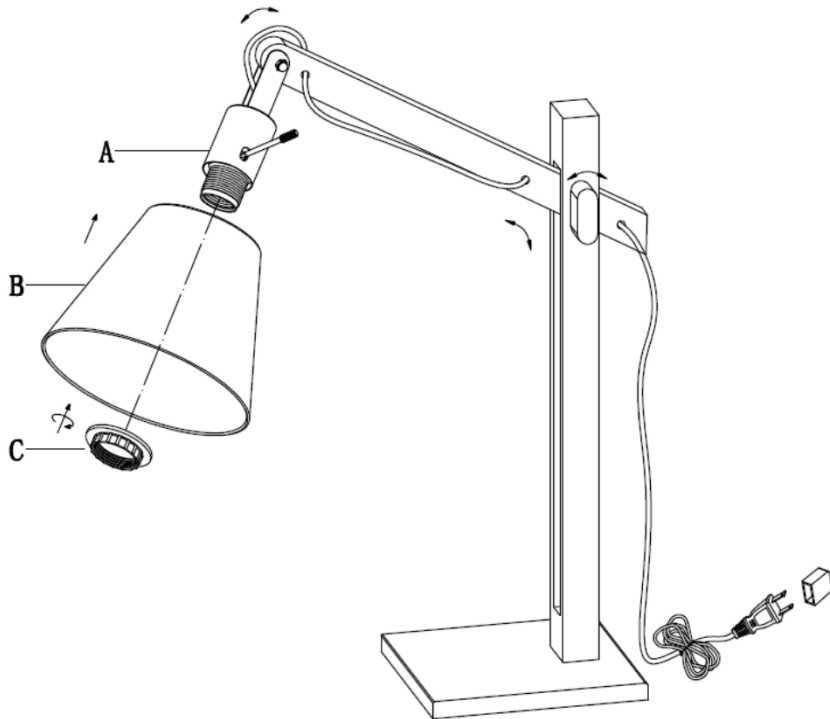


Walden Table Lamp

Model# 4088-12



1. Place the shade (B) onto socket holder (A) and screw it by socket ring (C).

GENERAL PRODUCT INFORMATION:

This product is suitable for dry locations only.

**IMPORTANT SAFETY INSTRUCTIONS:**

This portable lamp has a polarized plug as a feature to reduce the risk of electric shock (one blade is larger than the other). This plug will fit in a polarized outlet only one way. If the plug does not fit fully in the outlet, reverse the plug. If it still does not fit, contact a qualified electrician. Do not use with an extension cord unless the plug can be fully inserted. **DO NOT ALTER THE PLUG.**

BULB TYPE: Use only with one type A Max 60W bulb (bulbs not included).

PARTS DIAGRAM

(1) * Socekt ring(C)