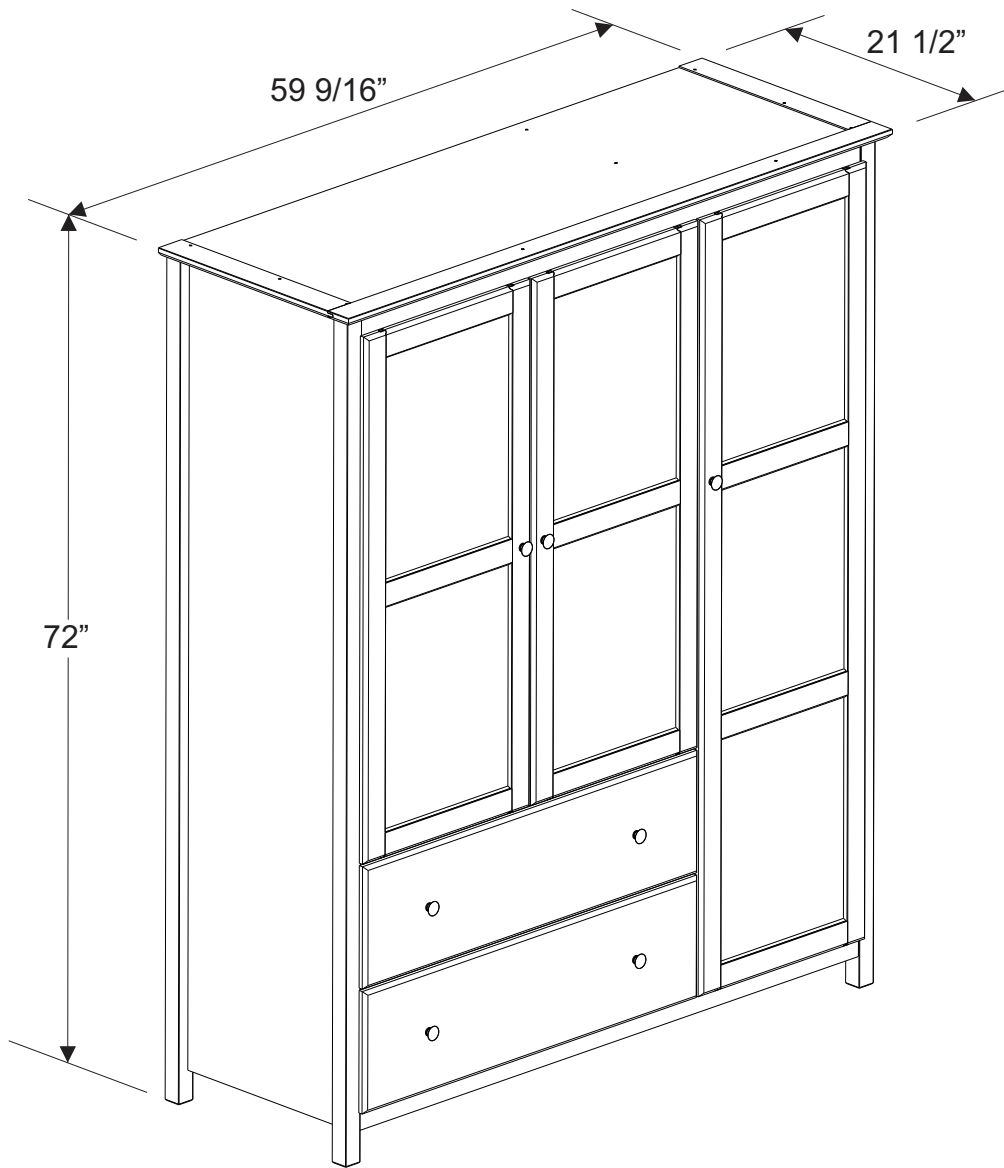


Assembly Instructions

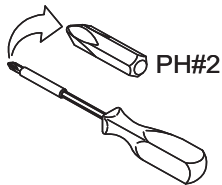
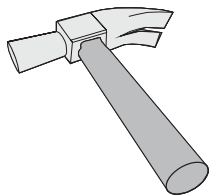
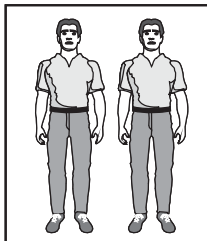
Shaker Collection

Wardrobe 3 Door 2 Drawer



Thank you for purchasing our furniture, it's an honor to be in your home!

Every effort has been made to ensure your Wood Furniture is of the finest quality. If you have any questions or need any replacement parts, please do not hesitate to contact us at support@grainwoodfurniture.com before attempting to return this item to the store.



| Model # | Finish |
|----------|----------|
| SH090112 | Cherry |
| SH090212 | Expresso |
| SH090312 | Honey |



MADE IN BRAZIL

PLEASE READ BELOW BEFORE BEGINNING YOUR ASSEMBLY

Here are some tips on assembling your flat-pack furniture in order to minimize your assembly time and frustrations:

- Do Not throw away packaging material until assembly is complete.
- Assemble the item on a soft surface, such as cardboard or old blanket, to protect finish from possible dents or scratches.
- Choose a spacious, open area near where the piece will be located. It is easier to move parts than to relocate the furniture after it is fully assembled, depending on its size and weight.
- Organize everything and count it twice. If you organize the items by parts, you'll find it much easier to grab each piece as you build.
- Check each on for cracks or flaws, such as improperly drilled holes, and count multiple parts. If there are any problems or missing pieces, contact us by email support@grainwoodfurniture.com providing model number, part number and description of the problem to arrange a replacement.
- Real Wood furniture may present imperfections such as wood knots, minor splits or cracks that are part of the natural aspect of the material. In few cases, also can be caused by variations of air moisture and temperature. Whenever stability of the piece of furniture is not compromised we recommend customers to perform cosmetic touch-ups by wax crayon fillers sold at all major hardware stores.
- It is best to use any tools the kit provides, such as a hex key, because they may be specially sized for that piece of furniture. We do not recommend the use of power drill, it can damage your furniture if not used correctly.
- Read the entire list of instructions, arranging your parts in order of use as you go.
- Finally, Enlist a help from friends and family since proper assembly of most items require 2 people.



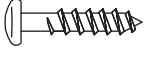

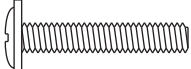
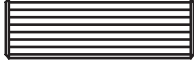
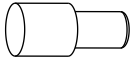
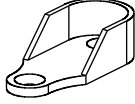
Wood Furniture Care:

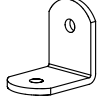
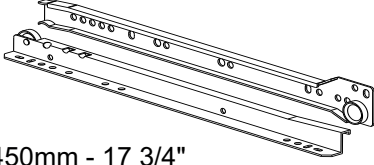
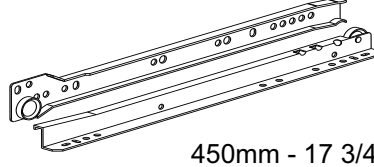
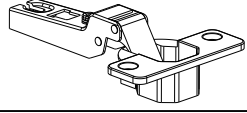




- *Clean with a cloth dampened with water or furniture polish following the pattern of the grain.*
- *Do NOT use solvents such as alcohol for cleaning.*
- *Avoid placing under direct sun light, to prevent UV damage.*
- *Avoid positioning very close to heaters or AC vents.*
- *Hot pads should always be used when placing warm serving dishes on your furniture.*
- *Very hot items such as a sauce pan or baking dish should never be placed on a tabletop, even with a hot pad.*
- *Place mats will help to protect the finish from dishes and silverware, and coasters will help protect your furniture from moisture.*

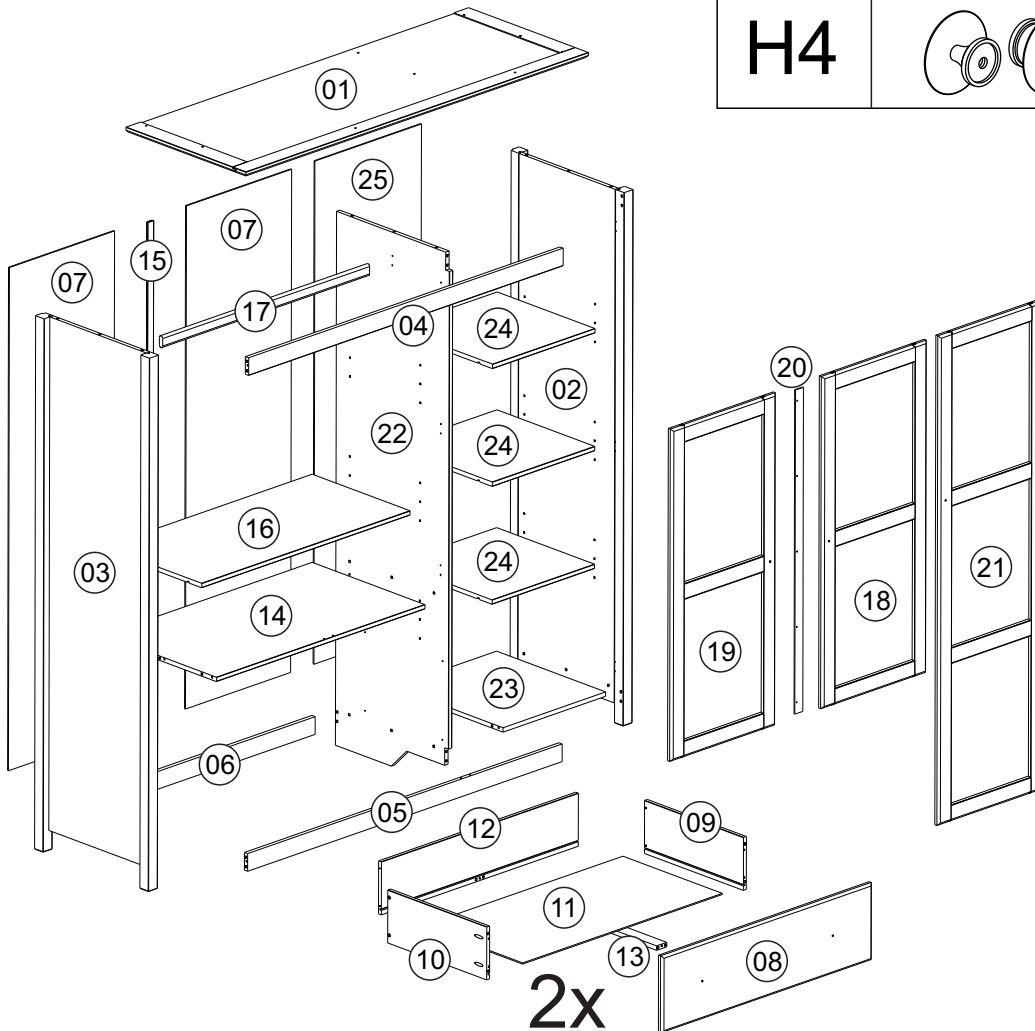
Enjoy your Real Wood Furniture!



HARDWARE LIST

| | | | |
|-----|---|---------|----|
| A1 |  | 4,0x30 | 38 |
| A4 |  | 3,5x14 | 40 |
| A9 |  | 3,5x16 | 41 |
| A16 |  | 4,0x40 | 11 |
| A25 |  | M4x25 | 07 |
| C2 |  | 8,0x25 | 53 |
| D22 |  | Plastic | 16 |
| D10 |  | | 02 |

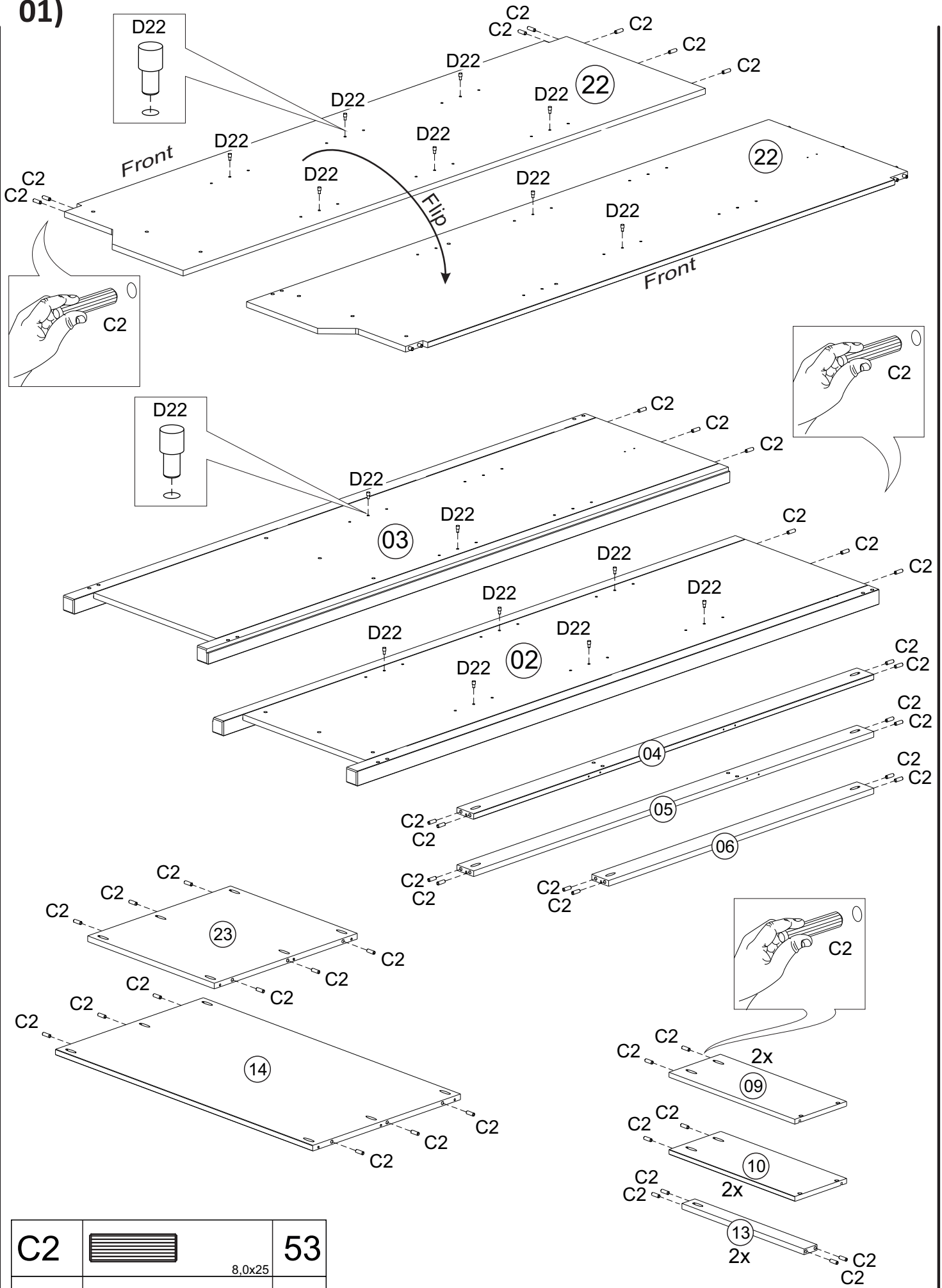
| | | | |
|-----|---|-----------------|----|
| D16 |  | | 02 |
| E10 |  | 450mm - 17 3/4" | 02 |
| E11 |  | 450mm - 17 3/4" | 02 |
| F4 |  | | 09 |
| F5 |  | | 09 |
| F7 |  | | 04 |
| G1 |  | 10x10 | 70 |
| H4 |  | Pz04 | 07 |


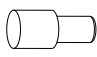


Parts list

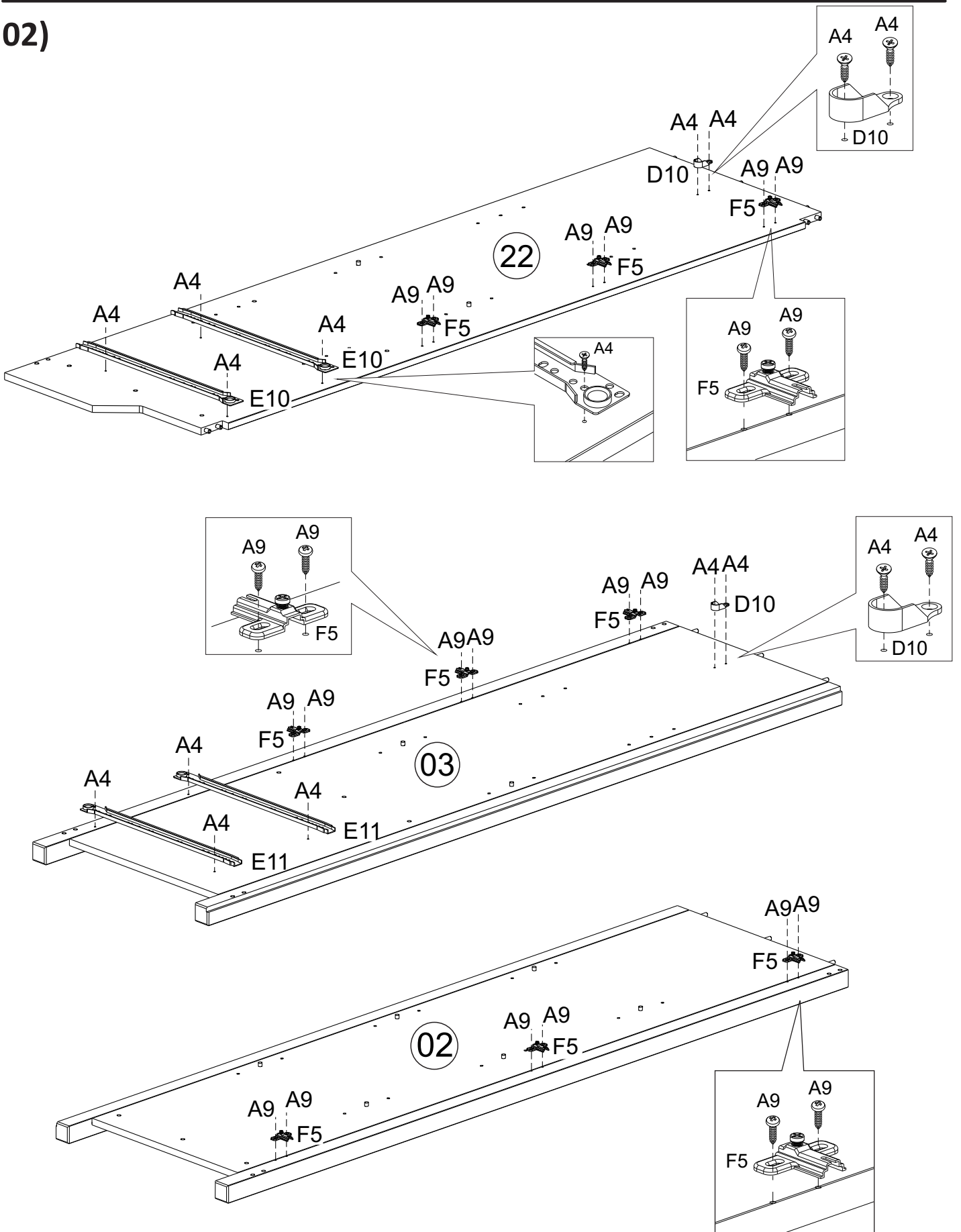
| Part # | Description | qty |
|--------|---------------------------|-----|
| 01 | Top | 1 |
| 02 | Right Side | 1 |
| 03 | Left Side | 1 |
| 04 | Upper Crosspiece | 1 |
| 05 | Lower Crosspiece | 1 |
| 06 | Rear Crosspiece | 1 |
| 07 | Back Panel | 2 |
| 08 | Drawer Front | 2 |
| 09 | Drawer Right Side | 2 |
| 10 | Drawer Left Side | 2 |
| 11 | Drawer Bottom | 2 |
| 12 | Drawer Back | 2 |
| 13 | Drawer bottom support | 2 |
| 14 | Fixed Shelf | 1 |
| 15 | Profile "H" | 1 |
| 16 | Wide Shelf (adjustable) | 1 |
| 17 | Hanging bar | 1 |
| 18 | Center door - short | 1 |
| 19 | Left door - short | 1 |
| 20 | Door stop | 1 |
| 21 | Right door - tall | 1 |
| 22 | Division | 1 |
| 23 | Base Short | 1 |
| 24 | Narrow shelf (adjustable) | 3 |
| 25 | Back Panel | 1 |



01)

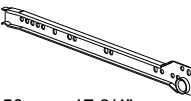
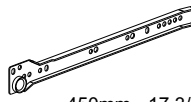


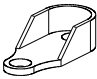

| | | | |
|-----|---|---------|----|
| C2 |  | 8,0x25 | 53 |
| D22 |  | Plastic | 16 |

02)

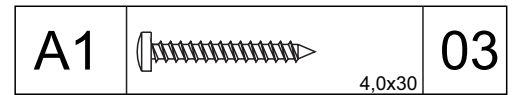
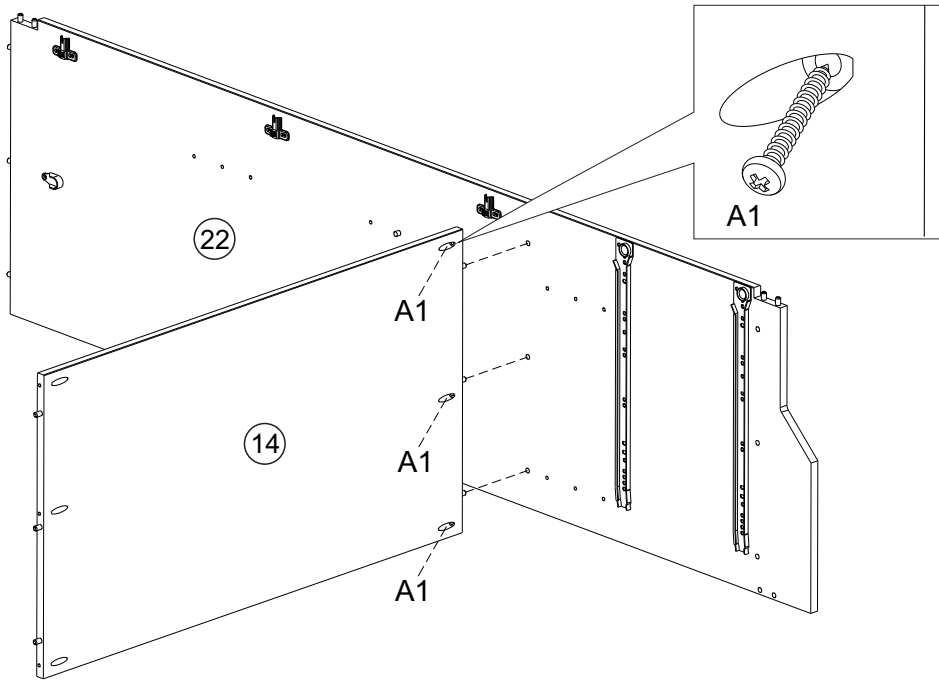


| | | |
|----|---|----|
| A4 |  | 12 |
| | 3,5x14 | |
| A9 |  | 18 |
| | 3,5x16 | |

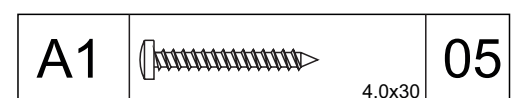
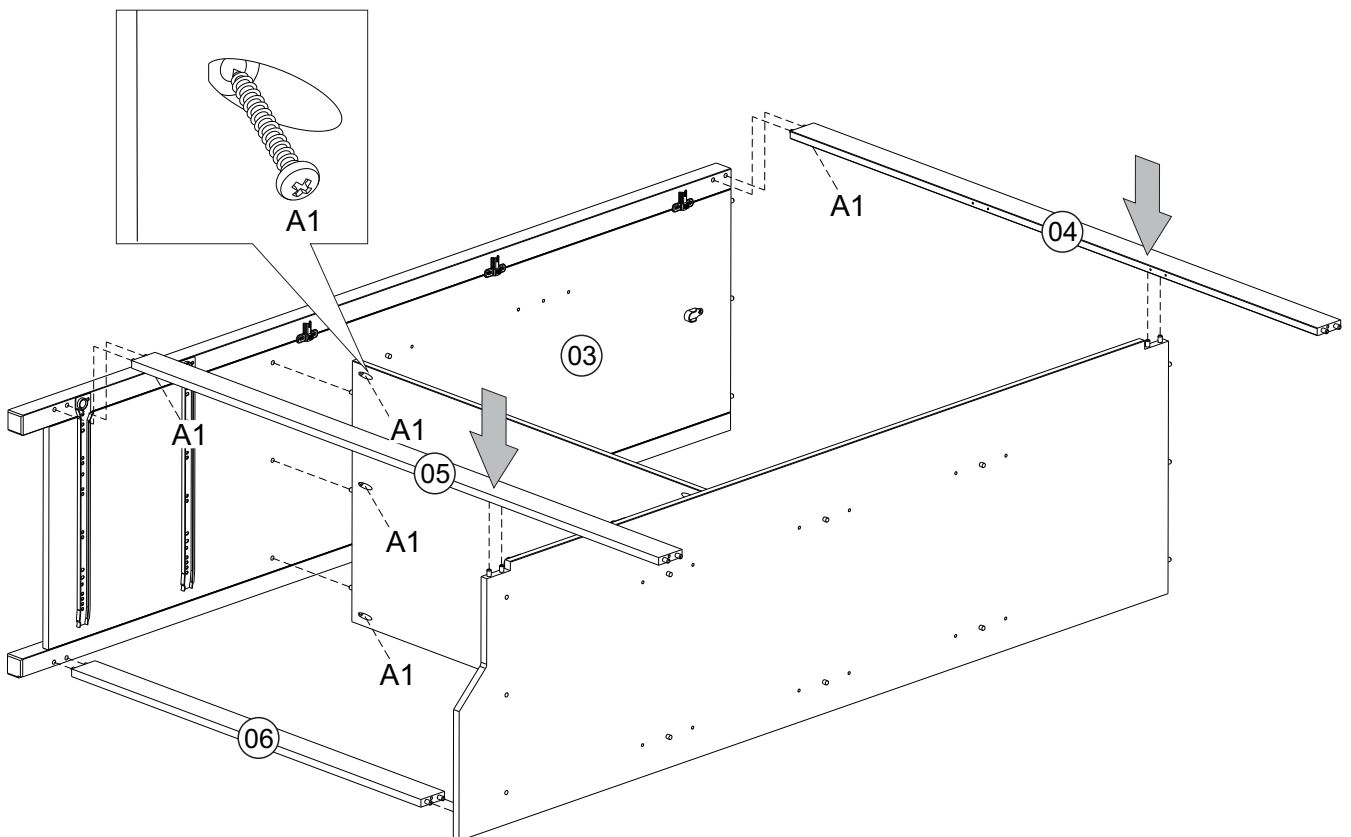
| | | |
|-----|---|----|
| E10 |  | 02 |
| | 450mm - 17 3/4" | |
| E11 |  | 02 |
| | 450mm - 17 3/4" | |

| | | |
|-----|---|----|
| D10 |  | 02 |
| F5 |  | 09 |

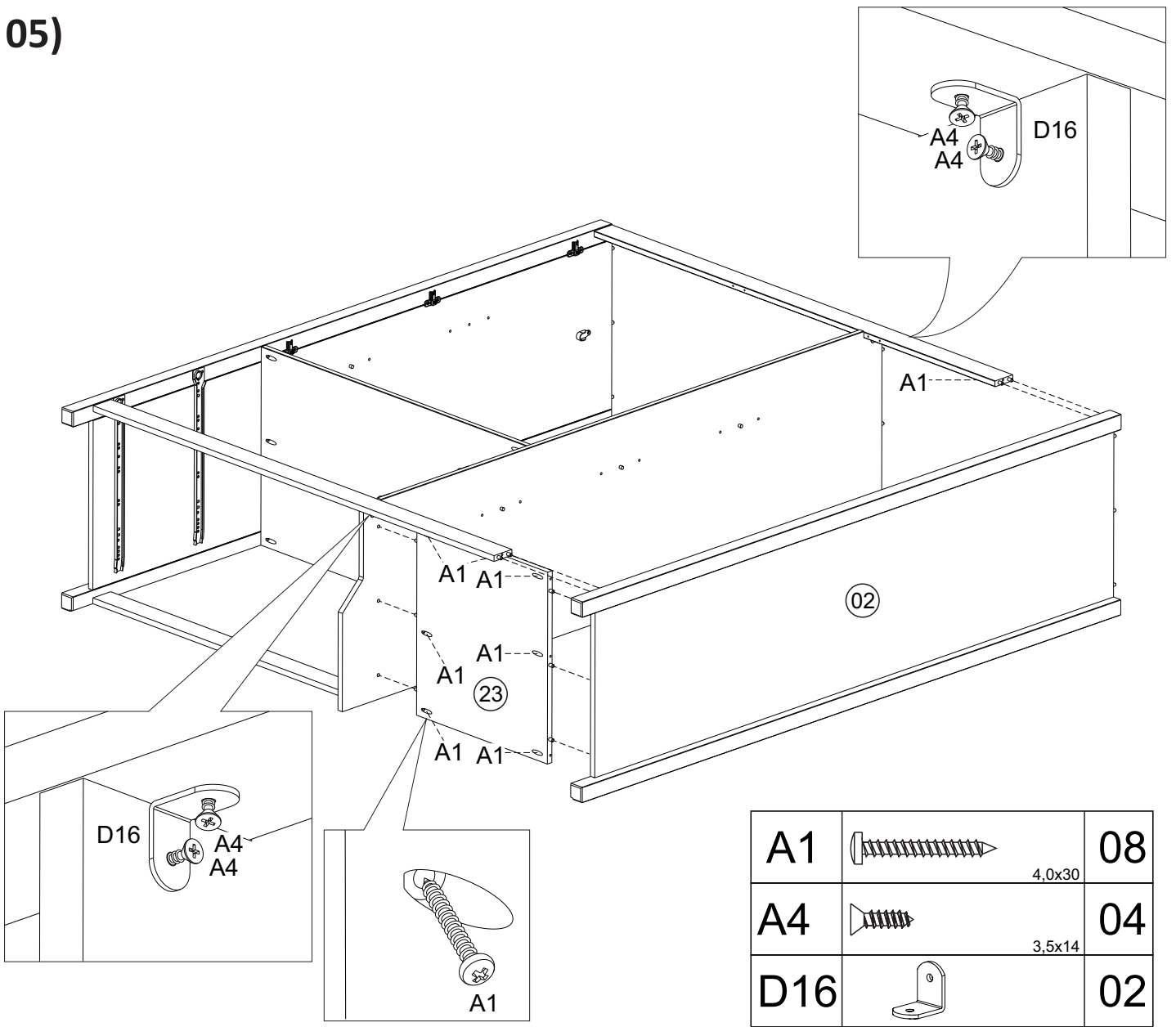
03)



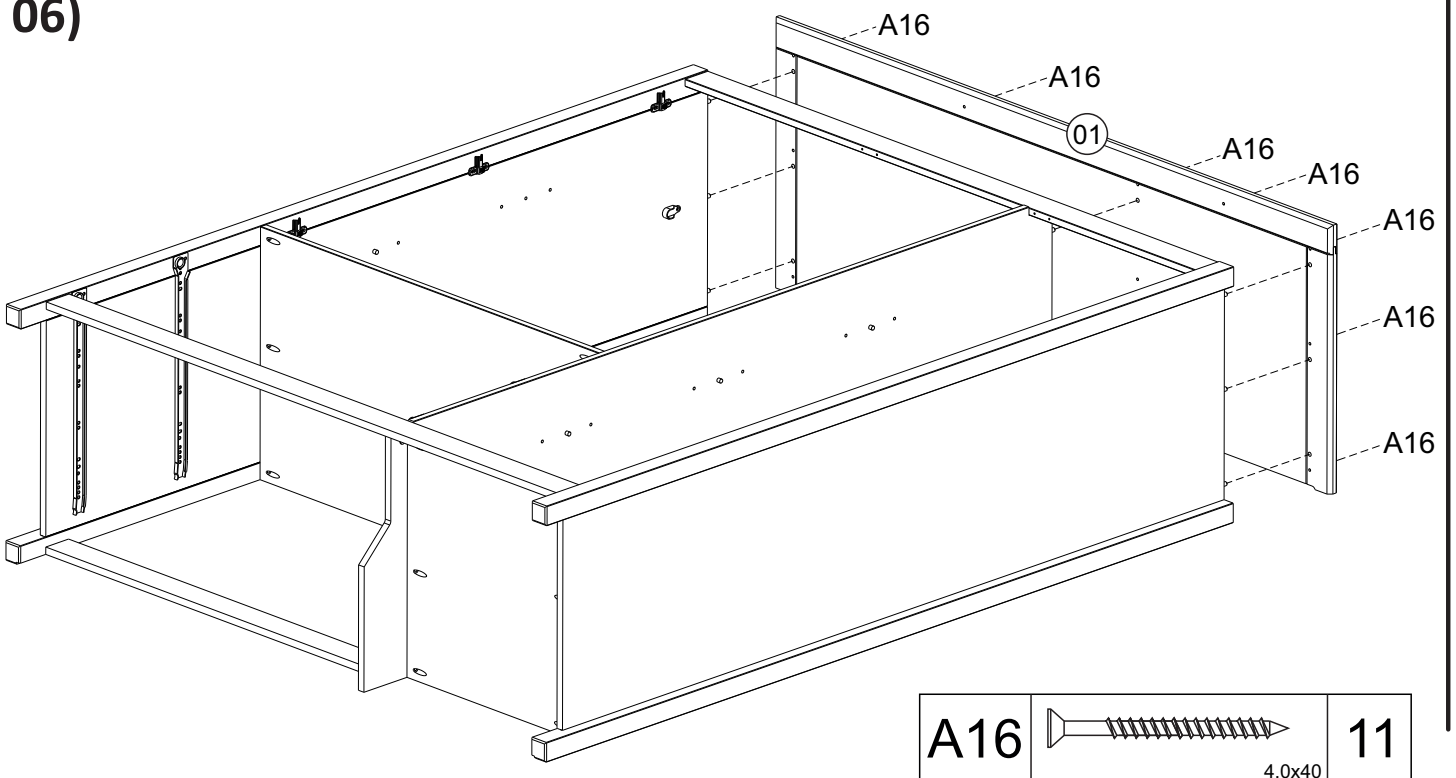
04)



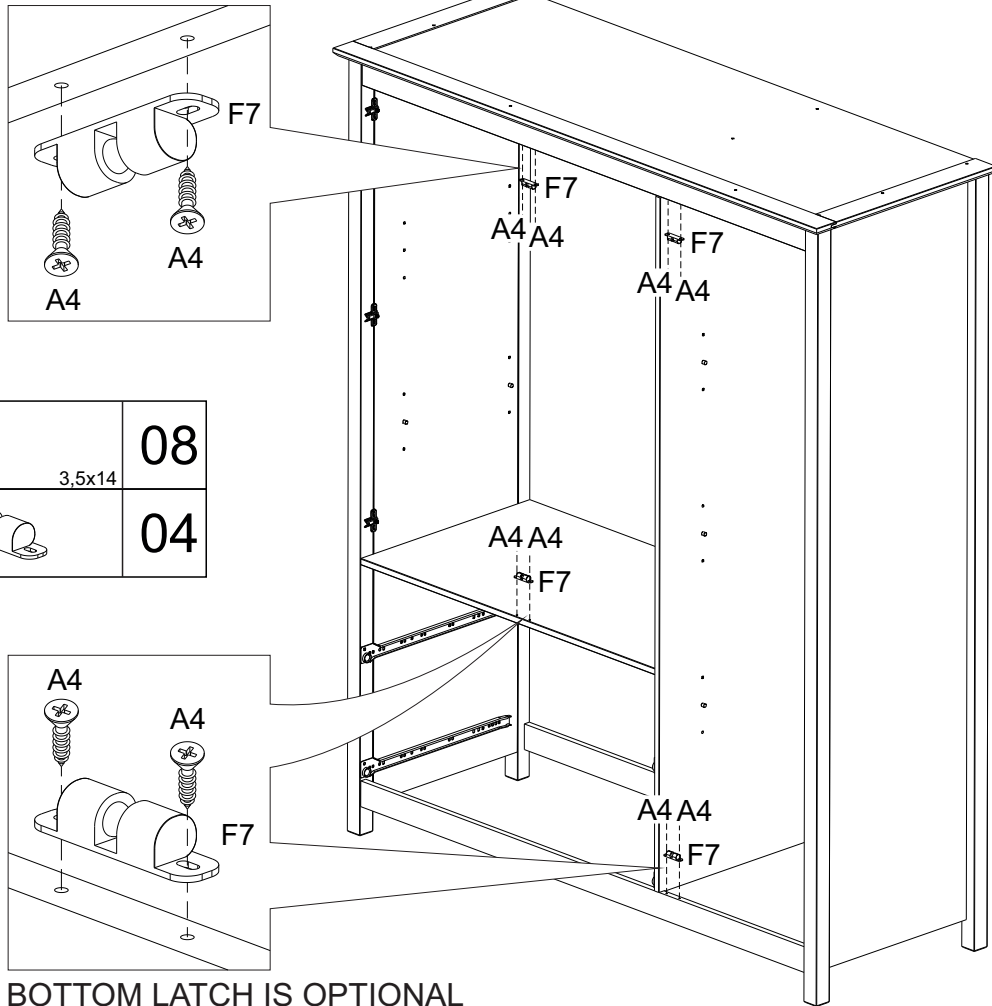
05)


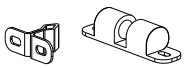


06)



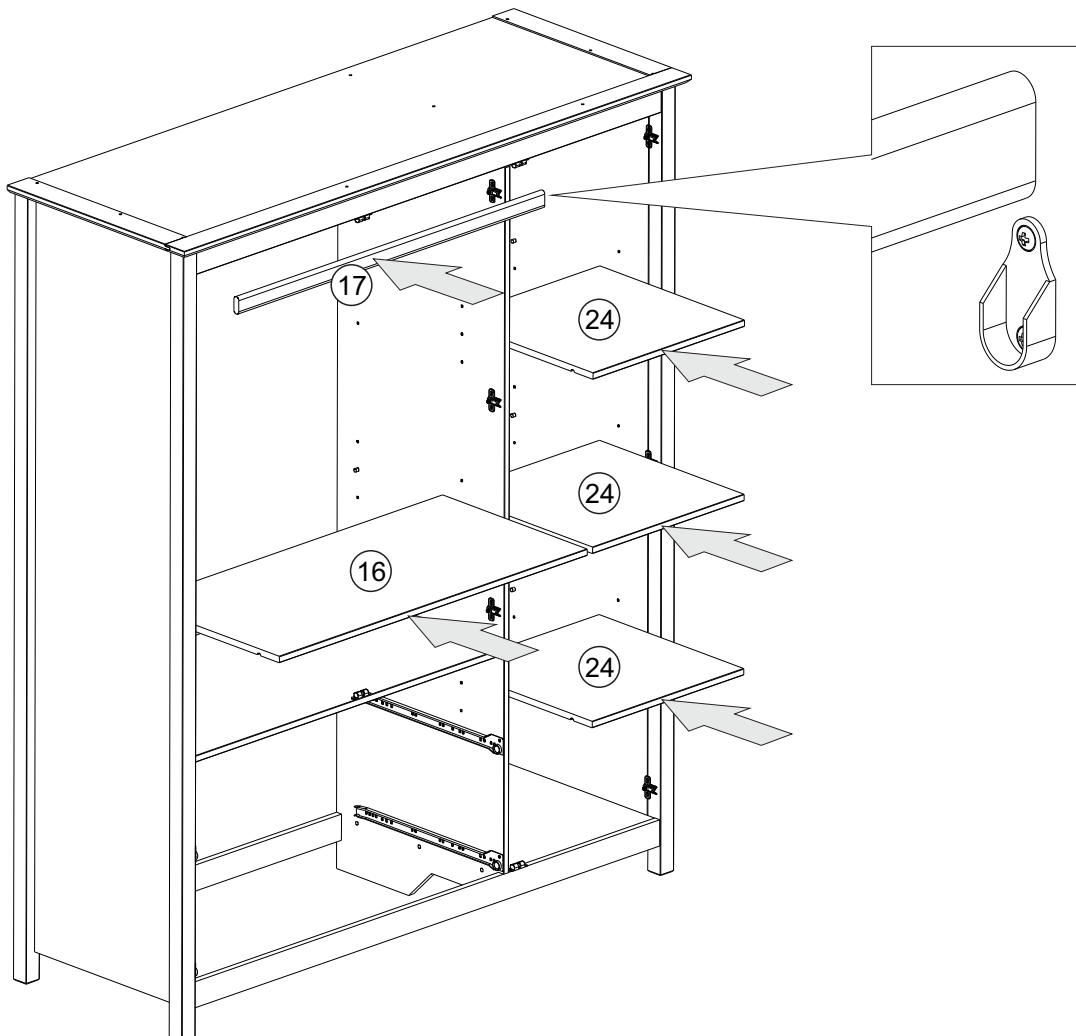
09)



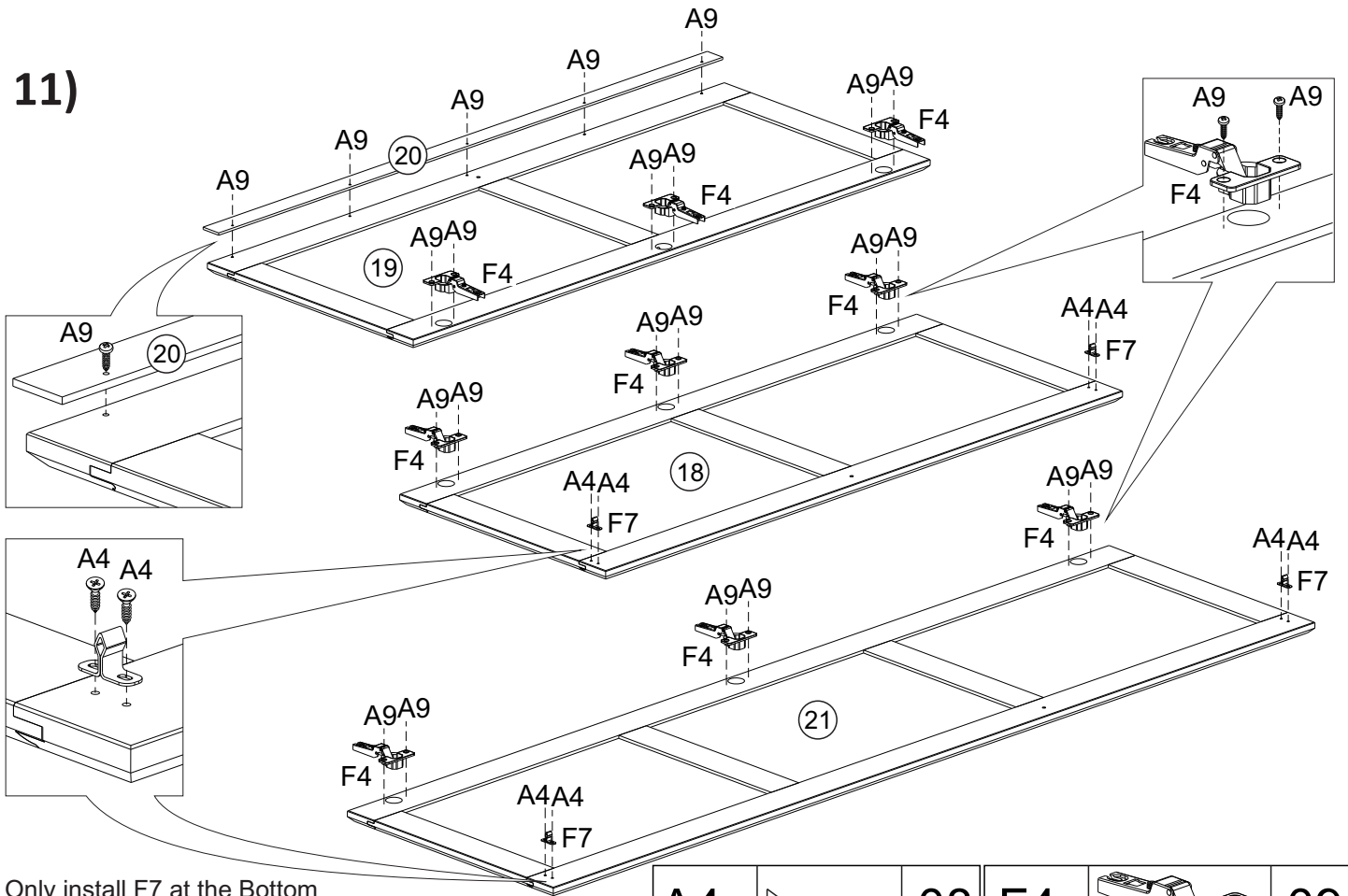
| | | |
|----|---|----|
| A4 |  | 08 |
| | 3,5x14 | |
| F7 |  | 04 |

BOTTOM LATCH IS OPTIONAL

10)

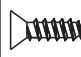

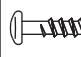



11)

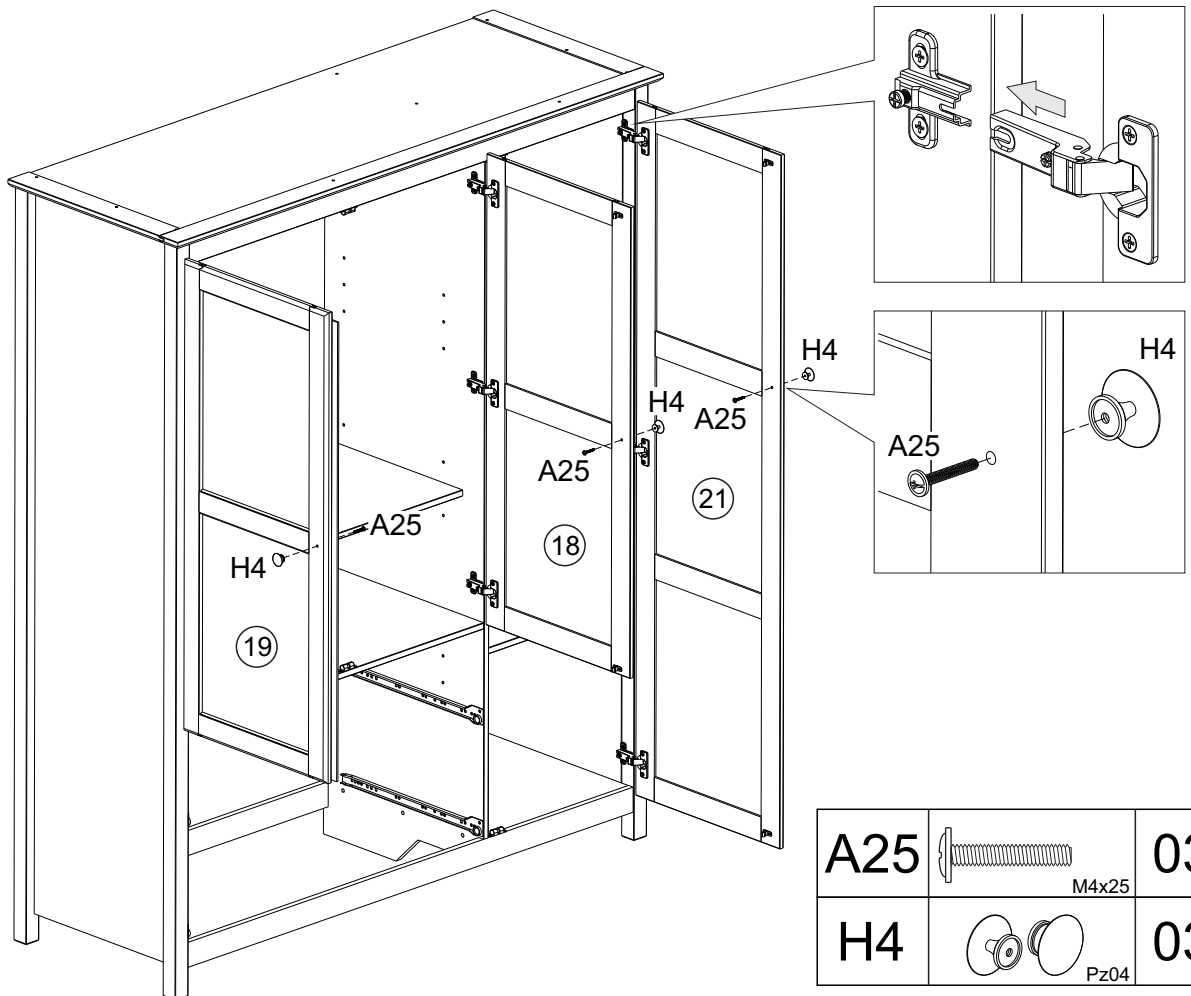




Only install F7 at the Bottom of the doors if the optional bottom latch was installed on Step 8.

Assembly Tip: Door adjustment will be easier without installing the bottom latches.

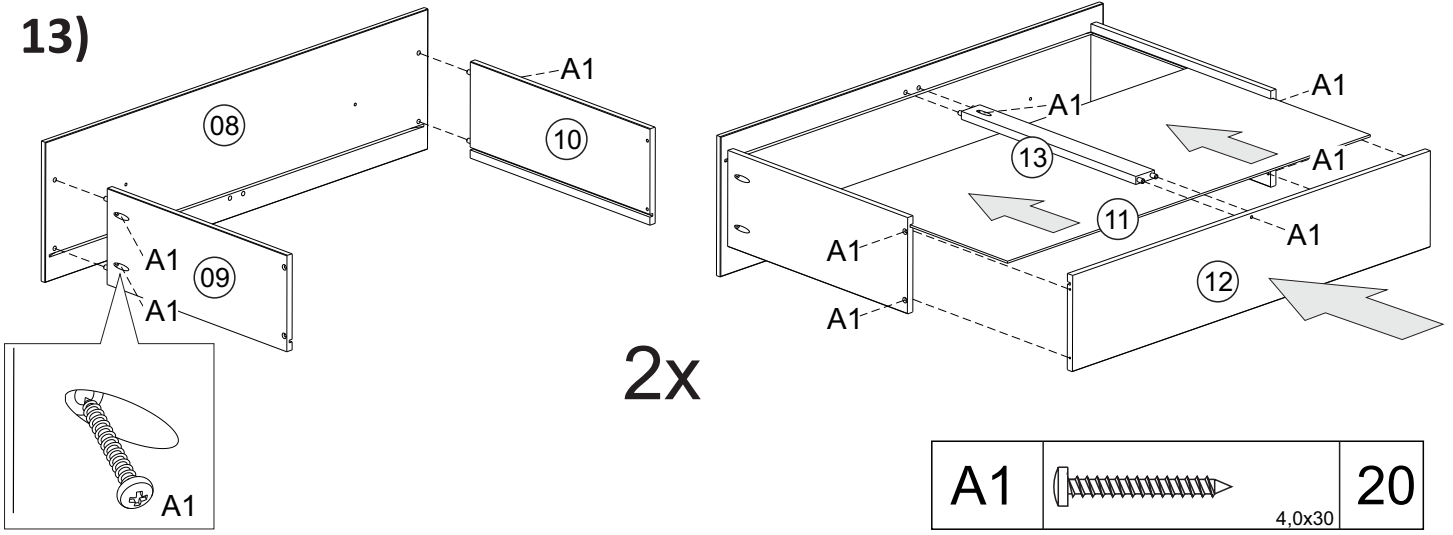
| | | | | | |
|----|--|----|----|---|----|
| A4 |  3,5x14 | 08 | F4 |  | 09 |
| A9 |  3,5x16 | 23 | F7 |  | 04 |

12)

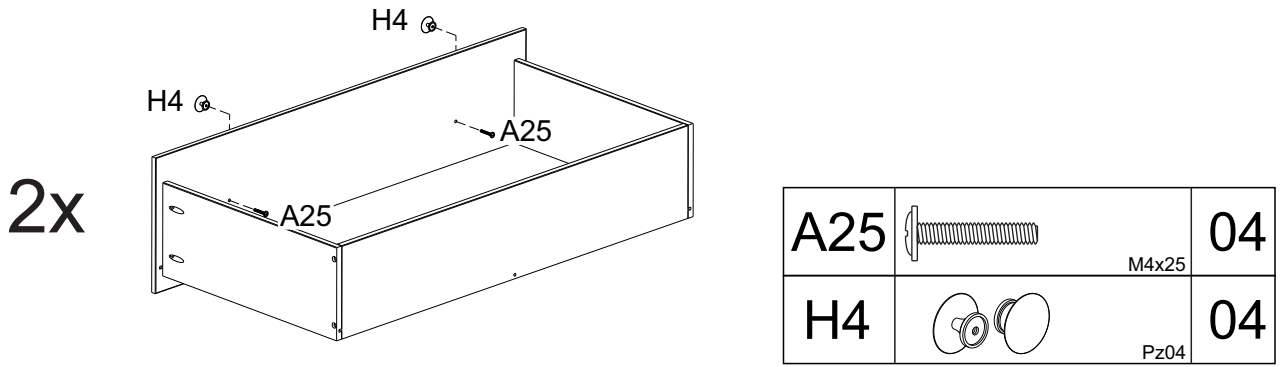


| | | |
|-----|---|----|
| A25 |  M4x25 | 03 |
| H4 |  Pz04 | 03 |

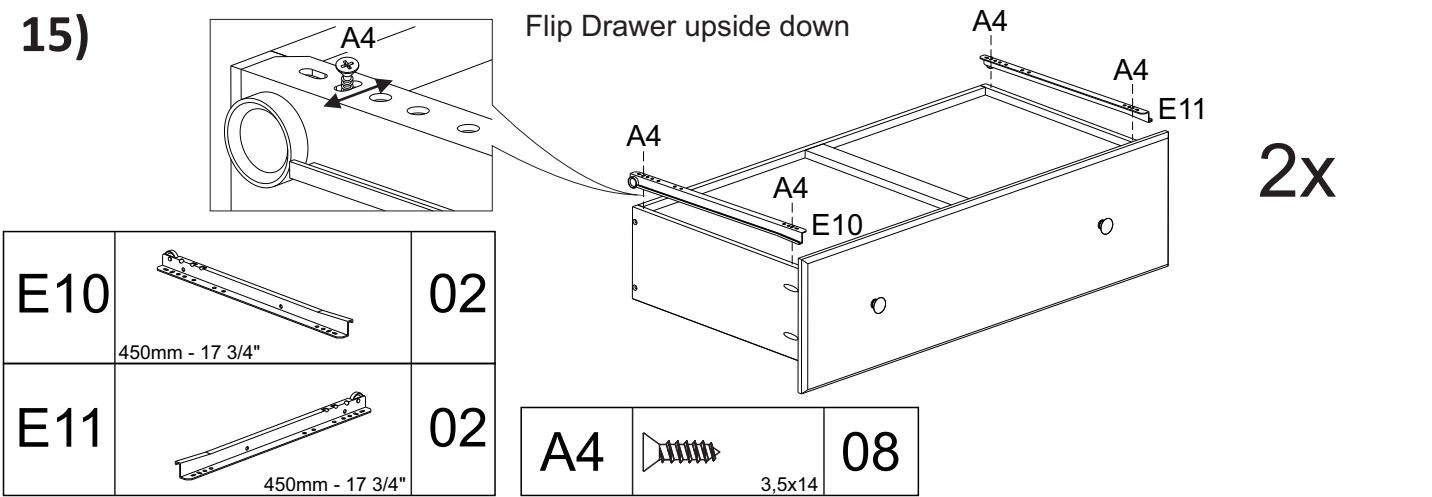
13)



14)



15)



16)

If fine tuning on the glides is needed please follow the steps below

