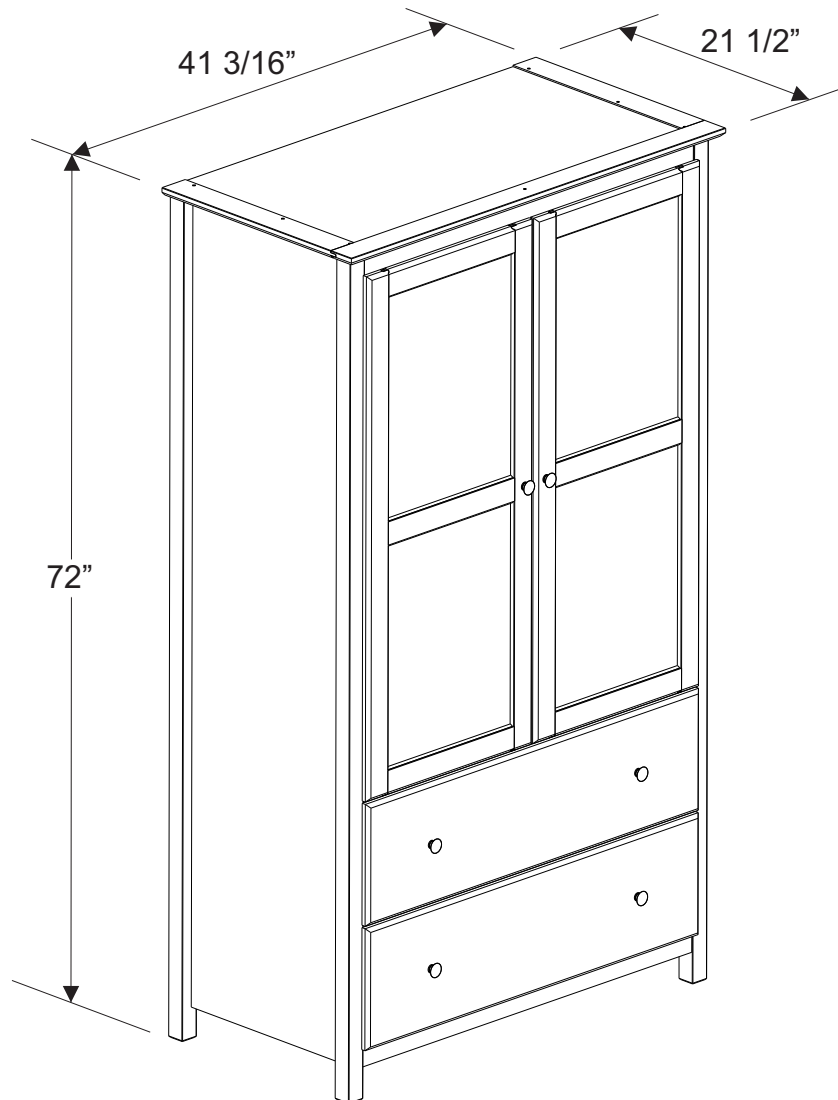


Assembly Instructions

Shaker Collection

Wardrobe 2 Door 2 Drawer



Thank you for purchasing our furniture, it's an honor to be in your home!

Every effort has been made to ensure your Wood Furniture is of the finest quality. If you have any questions or need any replacement parts, please do not hesitate to contact us at support@grainwoodfurniture.com before attempting to return this item to the store.

			Model #	Finish
			SH080112	Cherry
			SH080212	Expresso
			SH080312	Honey



MADE IN BRAZIL

PLEASE READ BELOW BEFORE BEGINNING YOUR ASSEMBLY

Here are some tips on assembling your flat-pack furniture in order to minimize your assembly time and frustrations:

- Do Not throw away packaging material until assembly is complete.
- Assemble the item on a soft surface, such as cardboard or old blanket, to protect finish from possible dents or scratches.
- Choose a spacious, open area near where the piece will be located. It is easier to move parts than to relocate the furniture after it is fully assembled, depending on its size and weight.
- Organize everything and count it twice. If you organize the items by parts, you'll find it much easier to grab each piece as you build.
- Check each part for cracks or flaws, such as improperly drilled holes, and count multiple parts. If there are any problems or missing pieces, contact us by email support@grainwoodfurniture.com providing model number, part number and description of the problem to arrange a replacement.
- Real Wood furniture may present imperfections such as wood knots, minor splits or cracks that are part of the natural aspect of the material. In few cases, also can be caused by variations of air moisture and temperature. Whenever stability of the piece of furniture is not compromised we recommend customers to perform cosmetic touch-ups by wax crayon fillers sold at all major hardware stores.
- It is best to use any tools the kit provides, such as a hex key, because they may be specially sized for that piece of furniture. We do not recommend the use of power drill, it can damage your furniture if not used correctly.
- Read the entire list of instructions, arranging your parts in order of use as you go.
- Finally, Enlist a help from friends and family since proper assembly of most items require 2 people.


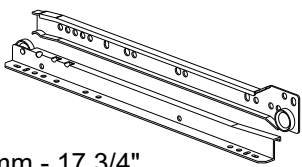

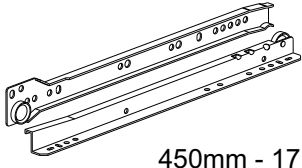
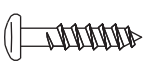
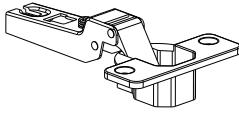
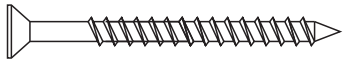
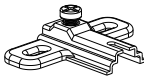

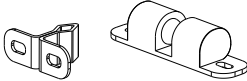


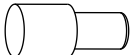
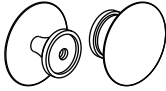
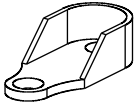
Wood Furniture Care:

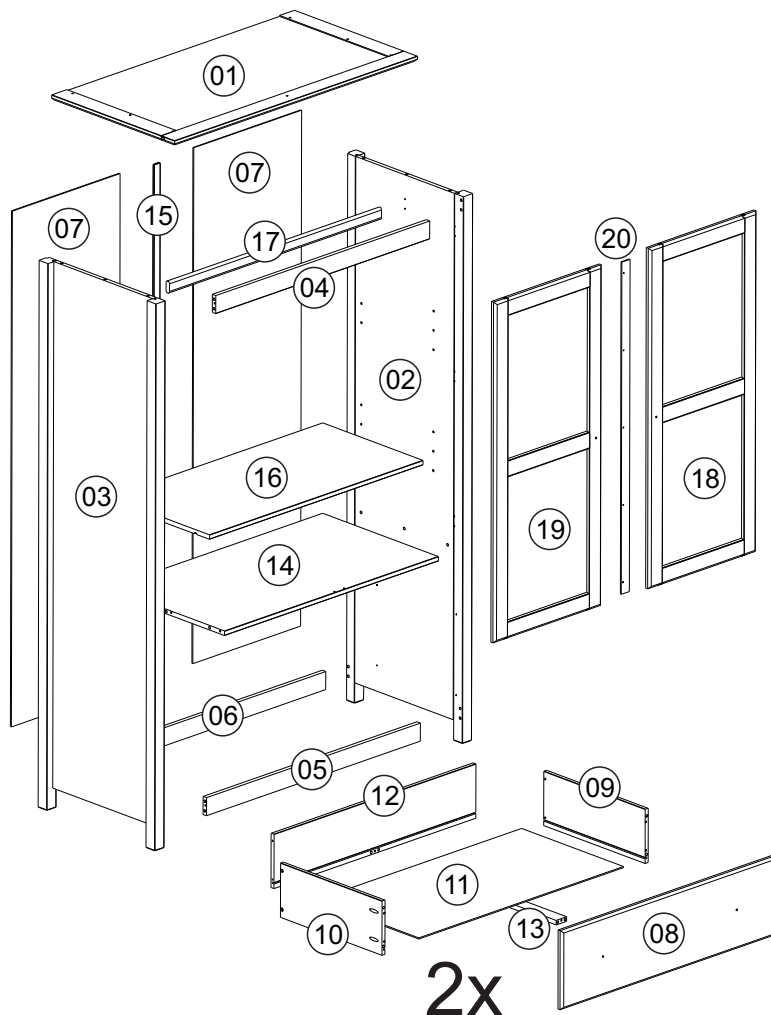
- *Clean with a cloth dampened with water or furniture polish following the pattern of the grain.*
- *Do NOT use solvents such as alcohol for cleaning.*
- *Avoid placing under direct sun light, to prevent UV damage.*
- *Avoid positioning very close to heaters or AC vents.*
- *Hot pads should always be used when placing warm serving dishes on your furniture.*
- *Very hot items such as a sauce pan or baking dish should never be placed on a tabletop, even with a hot pad.*
- *Place mats will help to protect the finish from dishes and silverware, and coasters will help protect your furniture from moisture.*

Enjoy your Real Wood Furniture!



HARDWARE LIST

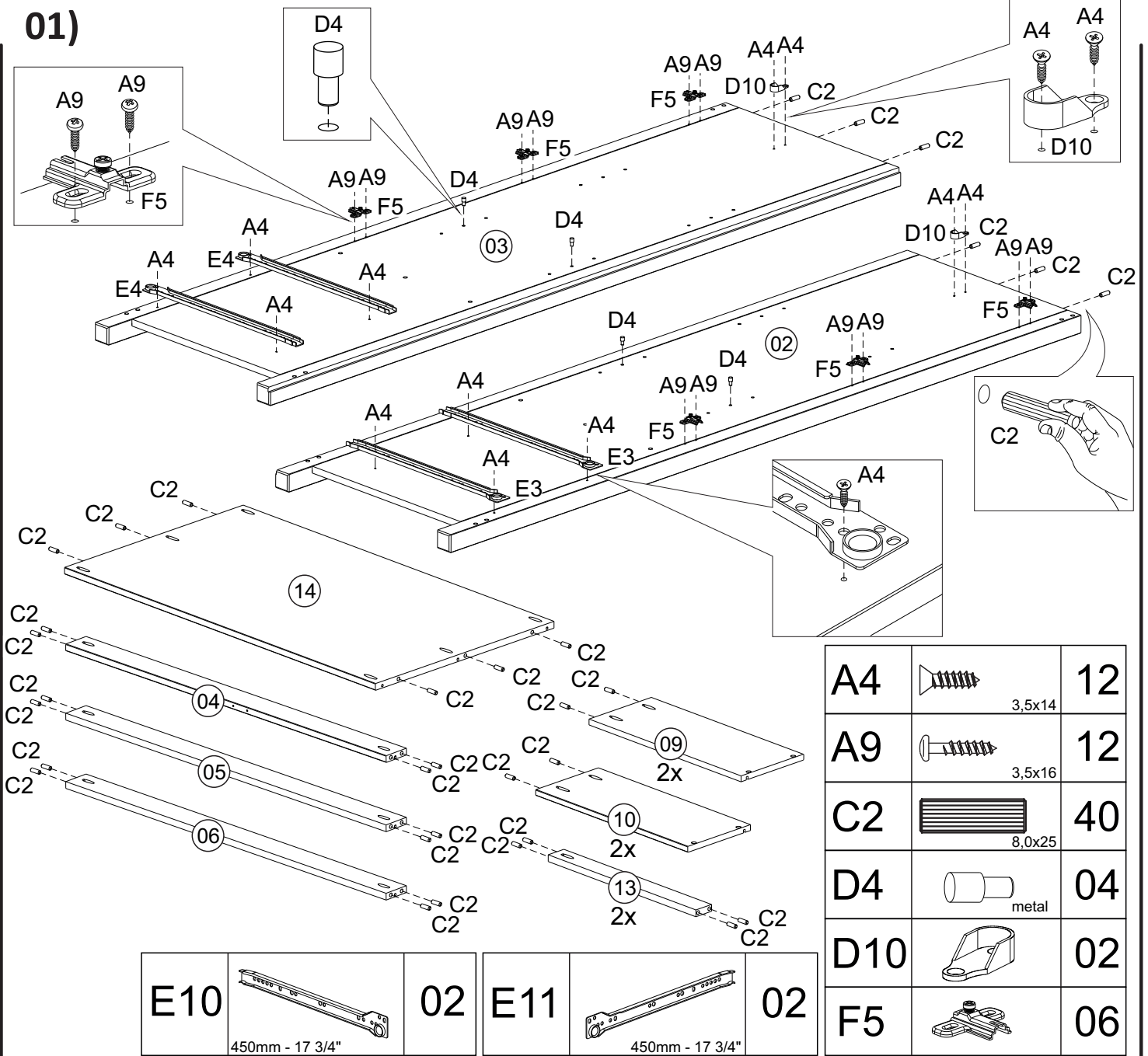
A1	 4,0x30	32		E10	 450mm - 17 3/4"	02
A4	 3,5x14	28		E11	 450mm - 17 3/4"	02
A9	 3,5x16	29		F4		06
A16	 4,0x40	07		F5		06
A25	 M4x25	06		F7		02
C2	 8,0x25	40		G1	 10x10	44
D4	 metal	04		H4	 Pz04	06
D10		02				



Parts list

Part #	Description	qty
01	Top	1
02	Right Side	1
03	Left Side	1
04	Upper Crosspiece	1
05	Lower Crosspiece	1
06	Rear Crosspiece	1
07	Back Panel	2
08	Drawer Front	2
09	Drawer Right Side	2
10	Drawer Left Side	2
11	Drawer Bottom	2
12	Drawer Back	2
13	Drawer bottom support	2
14	Fixed Shelf	1
15	Profile "H"	1
16	Wide Shelf (adjustable)	1
17	Hanging bar	1
18	Center door - short	1
19	Left door - short	1
20	Door stop	1

01)

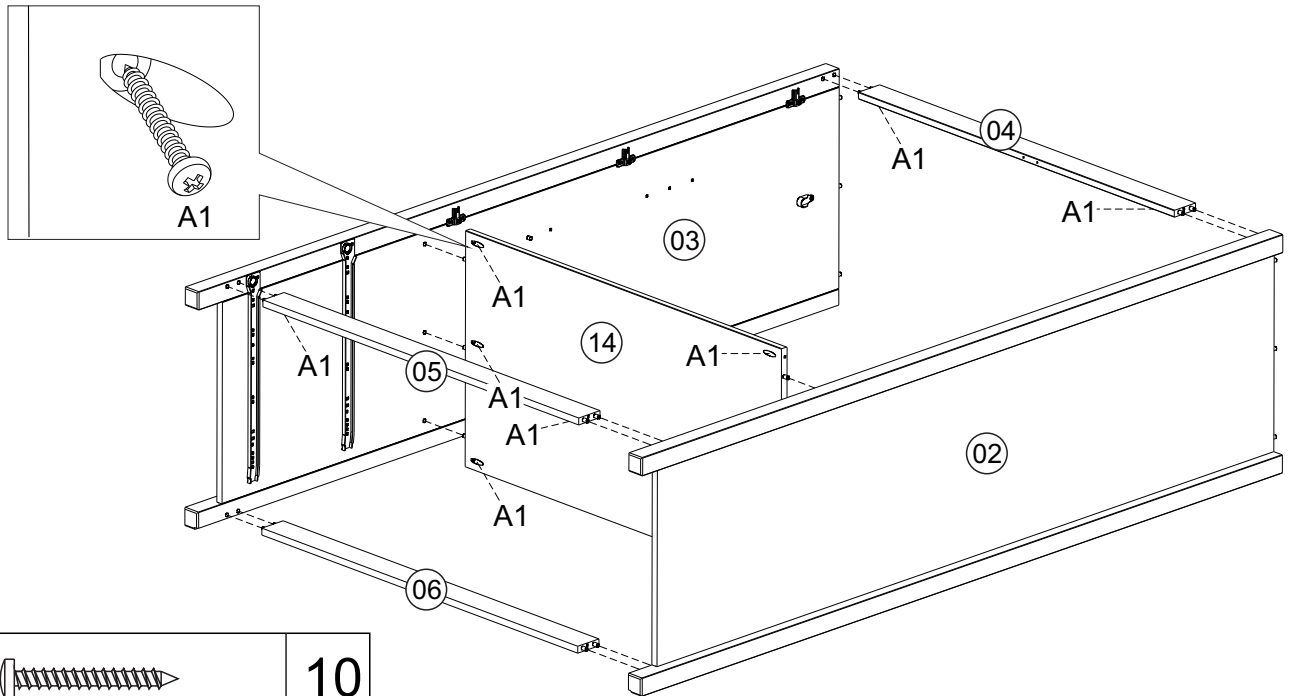


A4		3,5x14	12
A9		3,5x16	12
C2		8,0x25	40
D4		metal	04
D10			02
F5			06

E10		02
450mm - 17 3/4"		

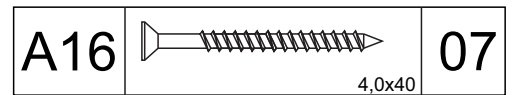
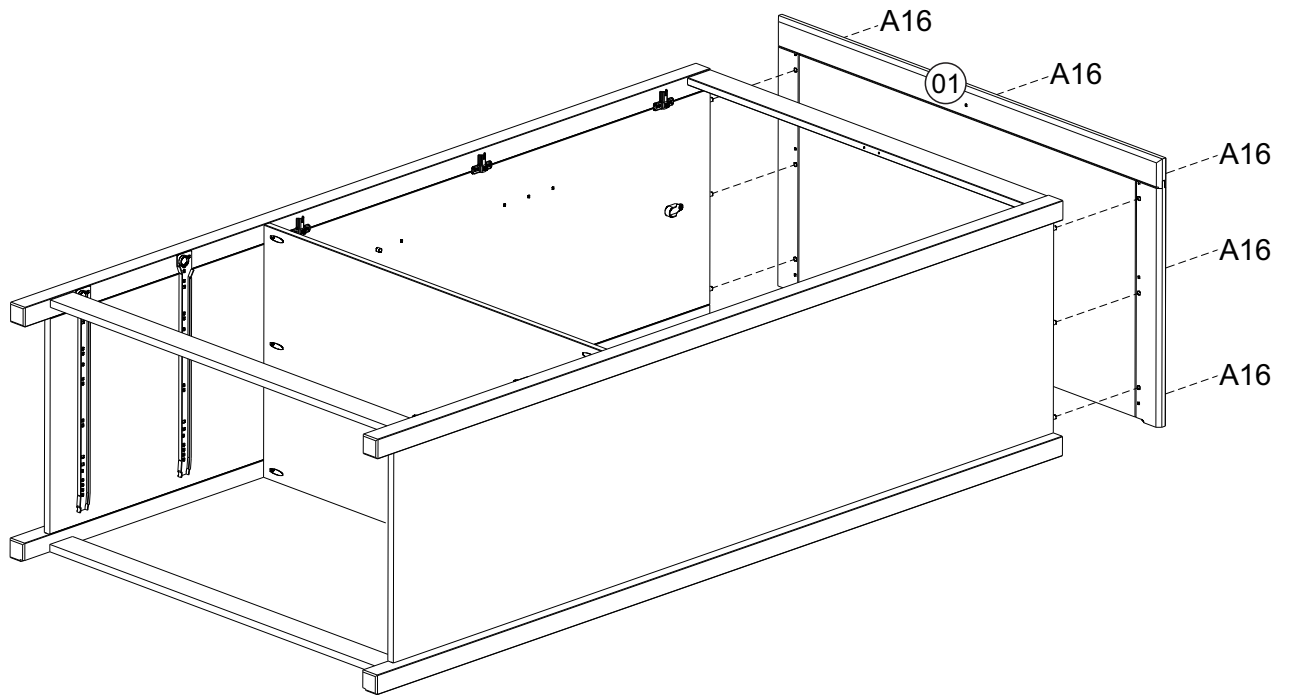
E11		02
450mm - 17 3/4"		

02)

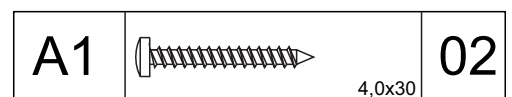
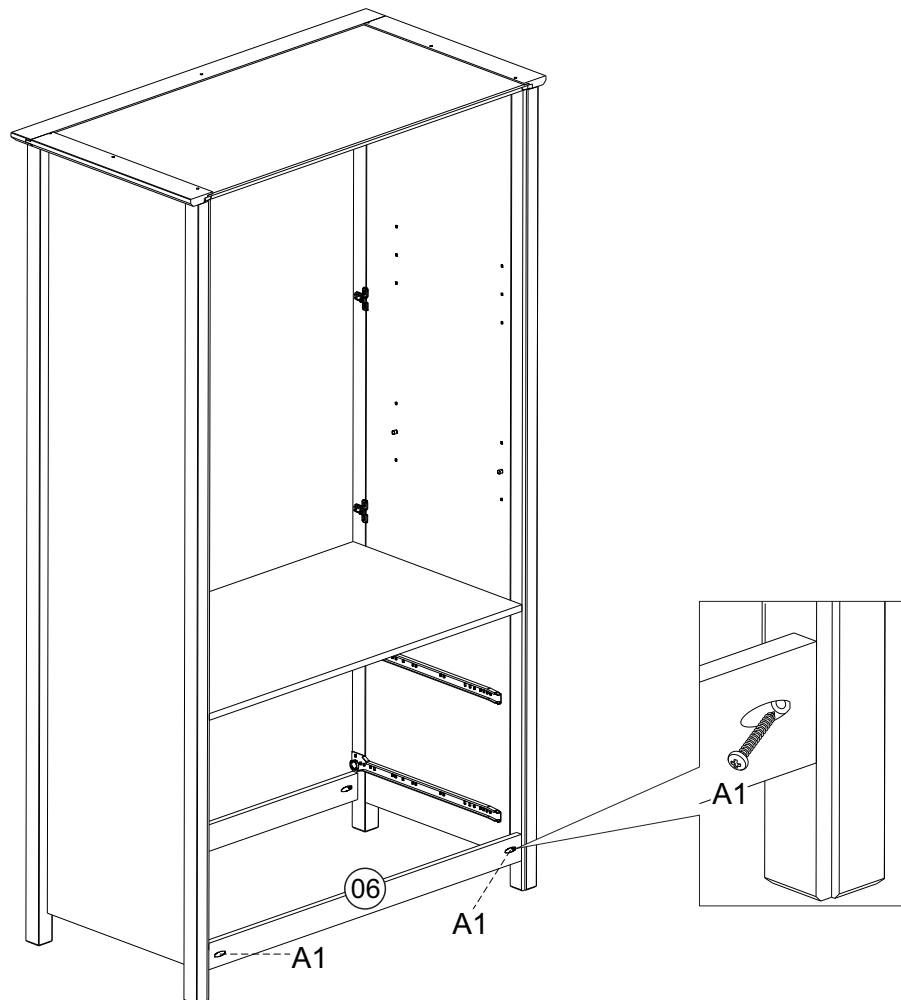


A1		4,0x30	10
----	--	--------	----

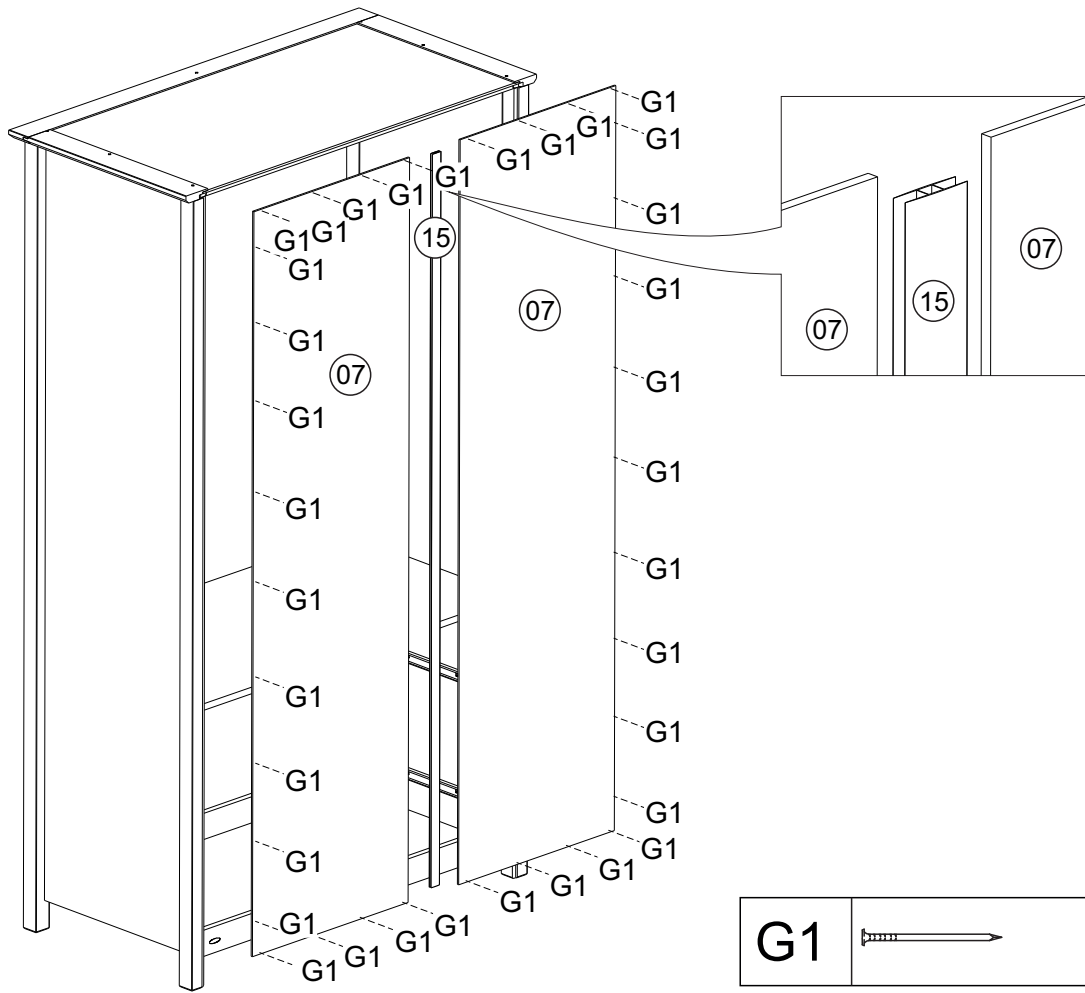
03)




04)

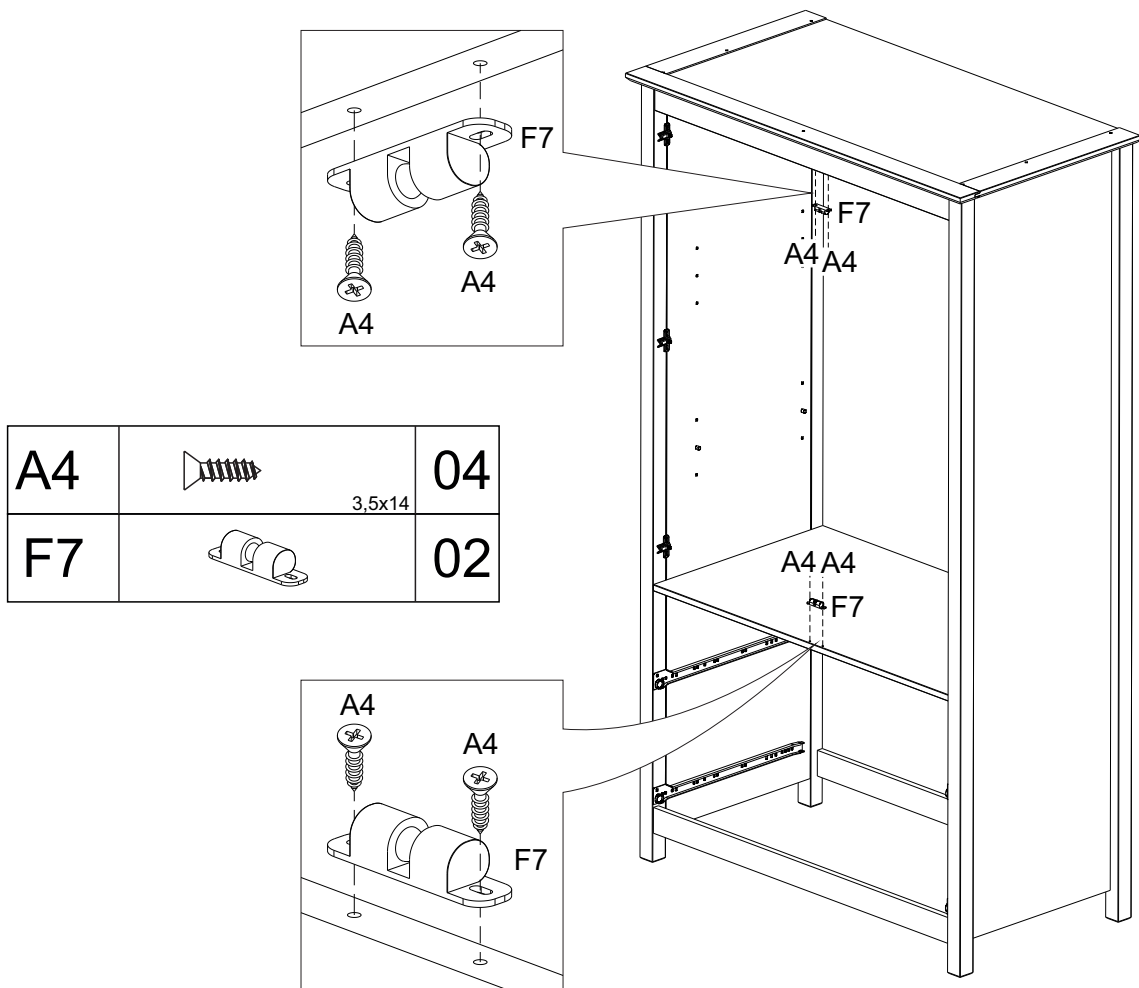



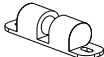
05)



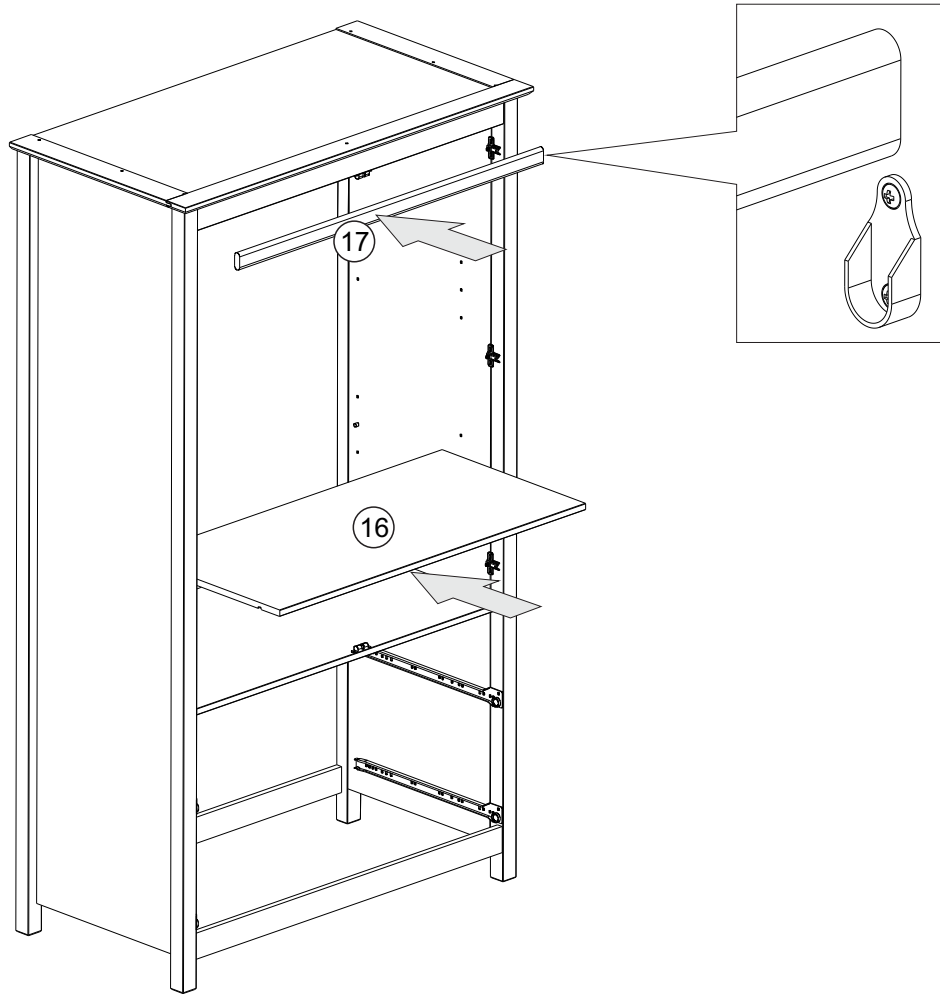
G1		44
		10x10

06)

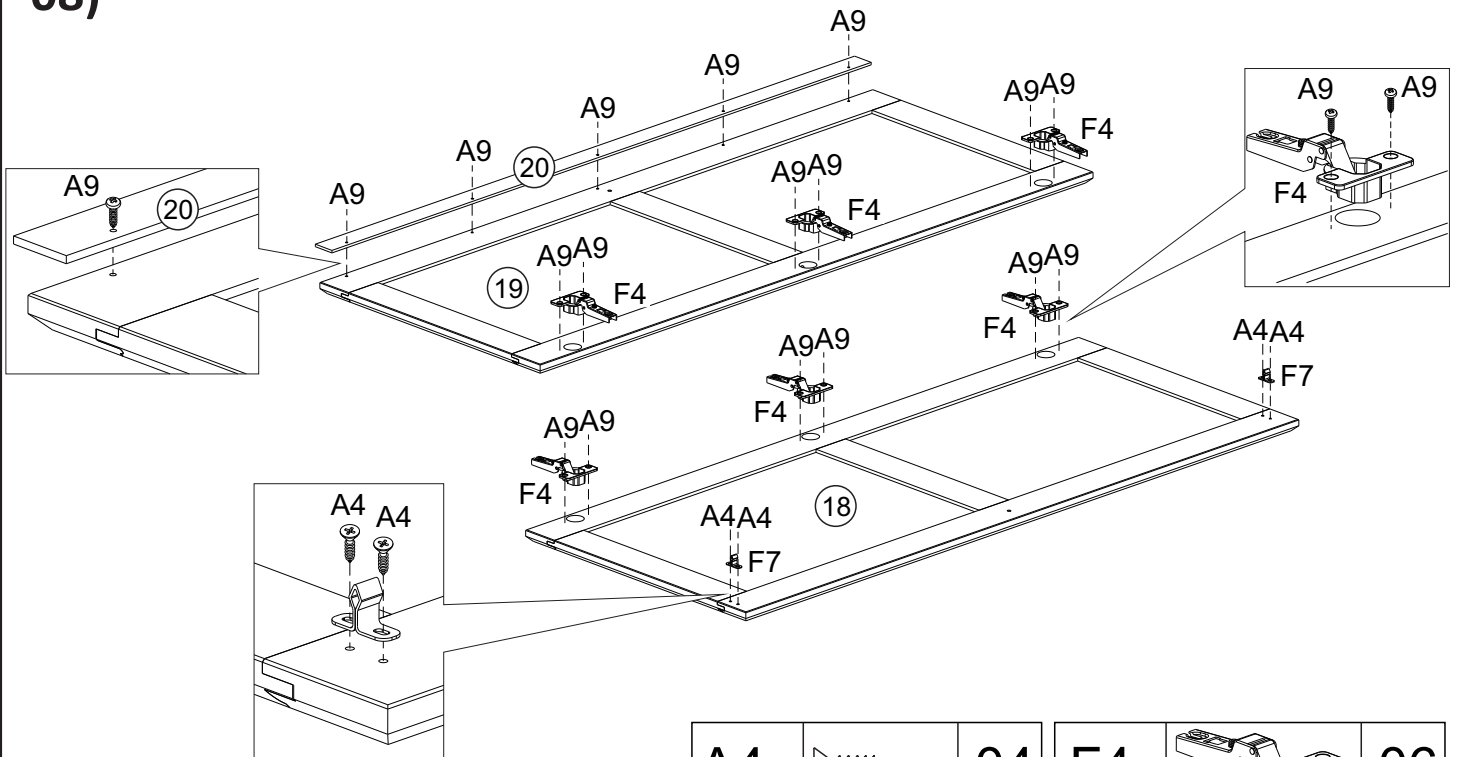




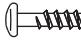

A4		04
		3,5x14
F7		02

07)

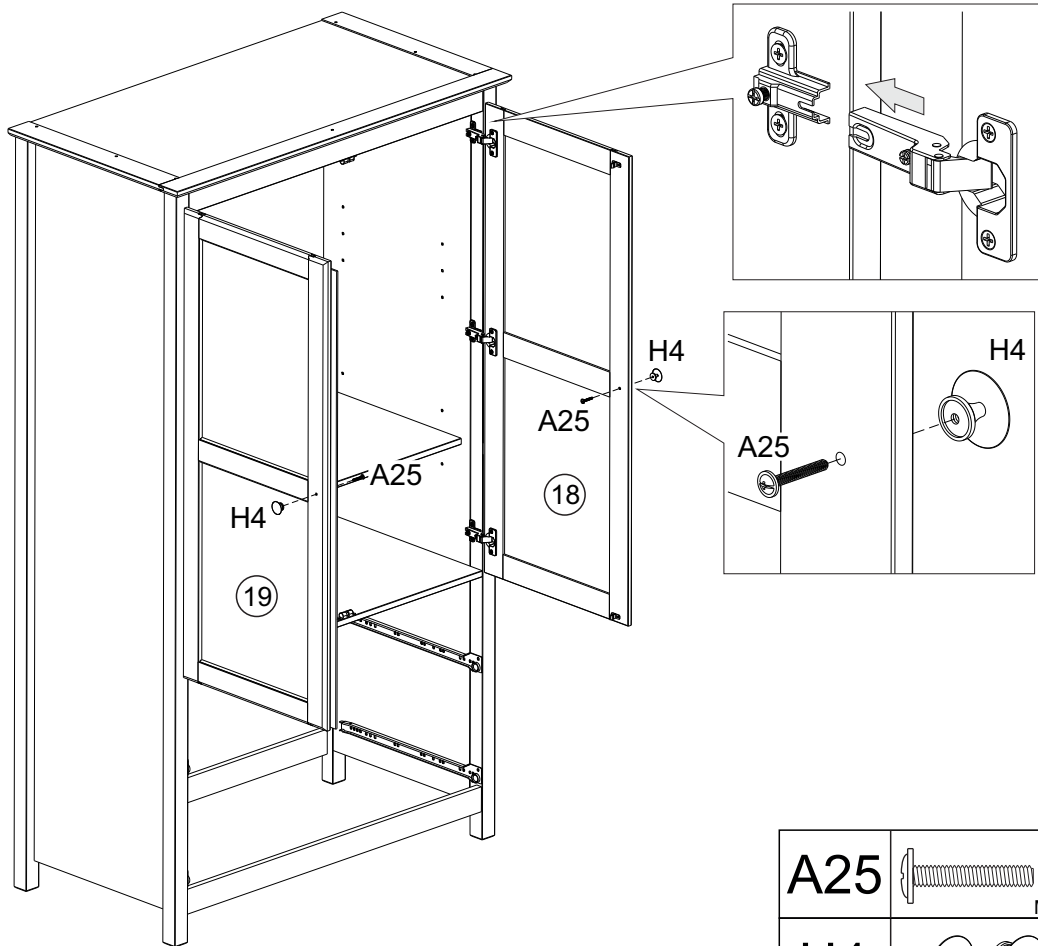


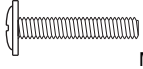

08)



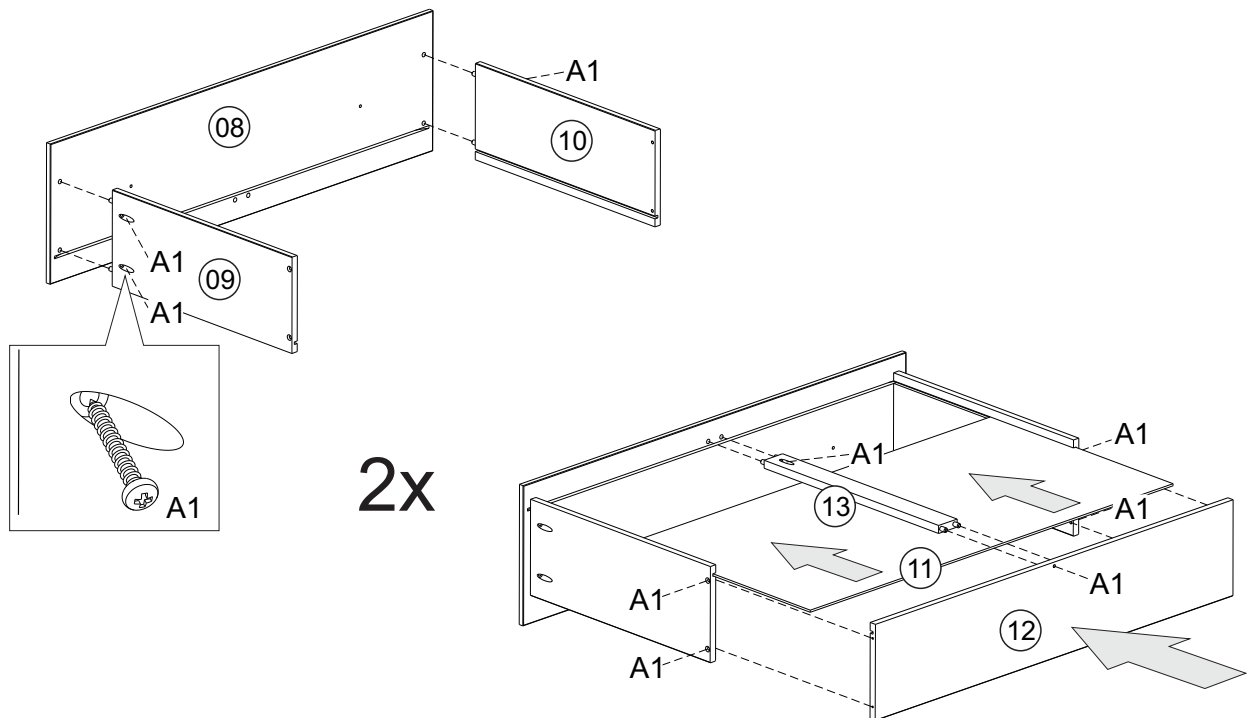
A4	 3,5x14	04	F4		06
A9	 3,5x16	17	F7		02


09)



A25	 M4x25	02
H4	 Pz04	02

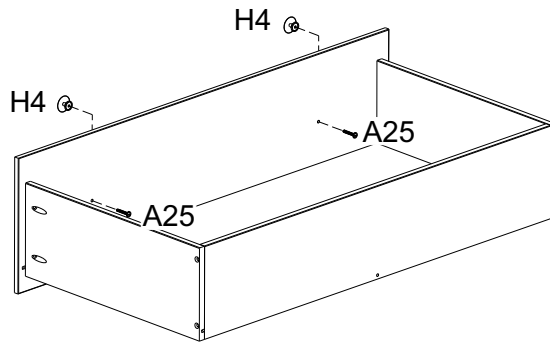
10)


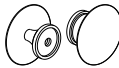


A1	 4,0x30	20
----	---	----

11)

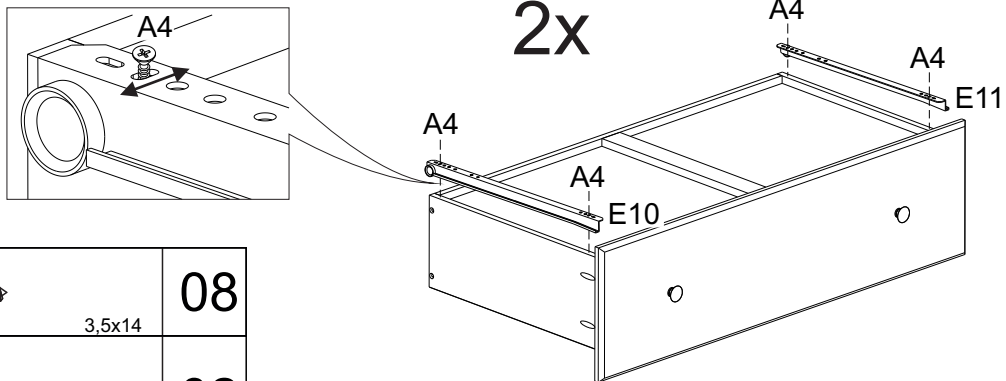
2x


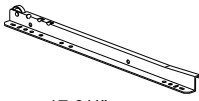



A25		M4x25	04
H4		Pz04	04

12)

2x



A4		3,5x14	08
E10		450mm - 17 3/4"	02
E11		450mm - 17 3/4"	02

13)

If fine tuning on the glides is needed please follow the steps below

