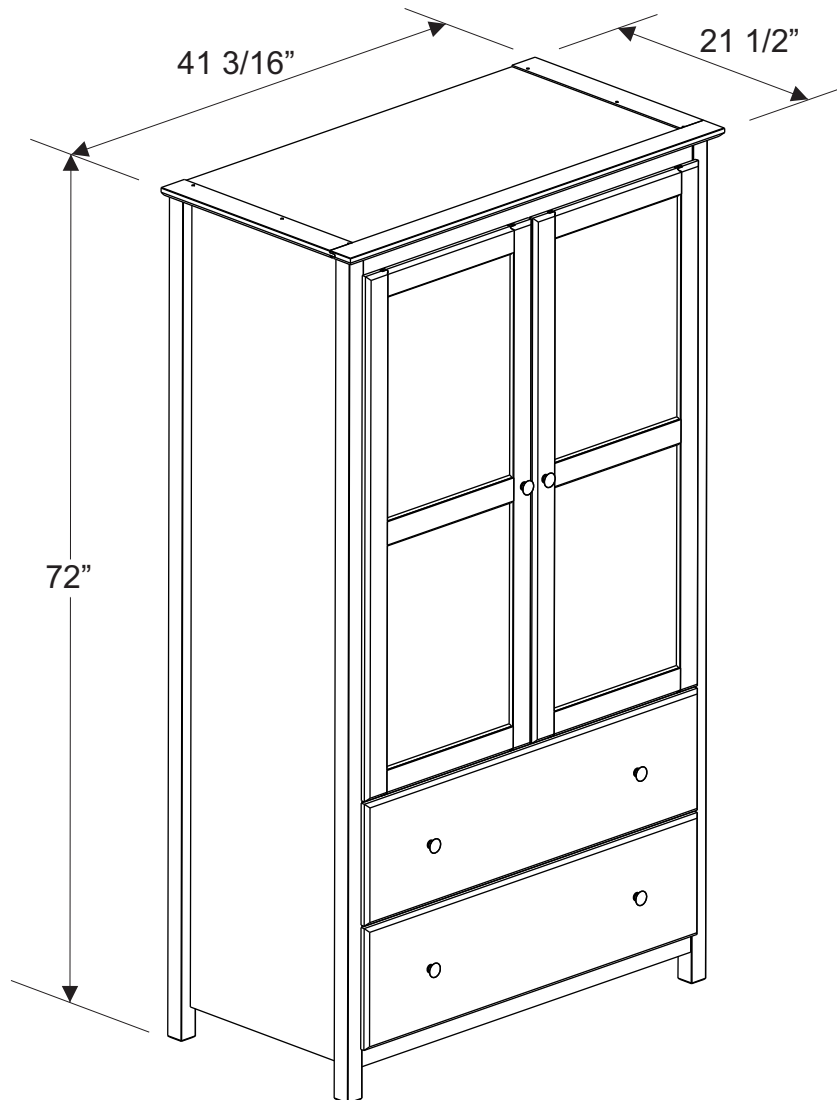


Assembly Instructions

Shaker Collection

Wardrobe 2 Door 2 Drawer



Thank you for purchasing our furniture, it's an honor to be in your home!

Every effort has been made to ensure your Wood Furniture is of the finest quality. If you have any questions or need any replacement parts, please do not hesitate to contact us at support@grainwoodfurniture.com before attempting to return this item to the store.



				Model #	Finish
				SH080112	Cherry
				SH080212	Expresso
				SH080312	Honey

MADE IN BRAZIL

PLEASE READ BELOW BEFORE BEGINNING YOUR ASSEMBLY

Here are some tips on assembling your flat-pack furniture in order to minimize your assembly time and frustrations:

- Do Not throw away packaging material until assembly is complete.
- Assemble the item on a soft surface, such as cardboard or old blanket, to protect finish from possible dents or scratches.
- Choose a spacious, open area near where the piece will be located. It is easier to move parts than to relocate the furniture after it is fully assembled, depending on its size and weight.
- Organize everything and count it twice. If you organize the items by parts, you'll find it much easier to grab each piece as you build.
- Check each part for cracks or flaws, such as improperly drilled holes, and count multiple parts. If there are any problems or missing pieces, contact us by email support@grainwoodfurniture.com providing model number, part number and description of the problem to arrange a replacement.
- Real Wood furniture may present imperfections such as wood knots, minor splits or cracks that are part of the natural aspect of the material. In few cases, also can be caused by variations of air moisture and temperature. Whenever stability of the piece of furniture is not compromised we recommend customers to perform cosmetic touch-ups by wax crayon fillers sold at all major hardware stores.
- It is best to use any tools the kit provides, such as a hex key, because they may be specially sized for that piece of furniture. We do not recommend the use of power drill, it can damage your furniture if not used correctly.
- Read the entire list of instructions, arranging your parts in order of use as you go.
- Finally, Enlist a help from friends and family since proper assembly of most items require 2 people.

Wood Furniture Care:

- *Clean with a cloth dampened with water or furniture polish following the pattern of the grain.*
- *Do NOT use solvents such as alcohol for cleaning.*
- *Avoid placing under direct sun light, to prevent UV damage.*
- *Avoid positioning very close to heaters or AC vents.*
- *Hot pads should always be used when placing warm serving dishes on your furniture.*
- *Very hot items such as a sauce pan or baking dish should never be placed on a tabletop, even with a hot pad.*
- *Place mats will help to protect the finish from dishes and silverware, and coasters will help protect your furniture from moisture.*

Enjoy your Real Wood Furniture!

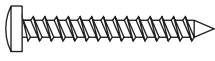

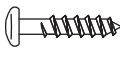

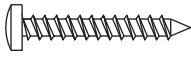


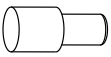
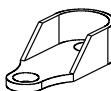
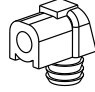
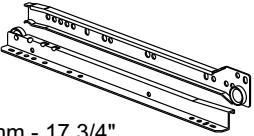
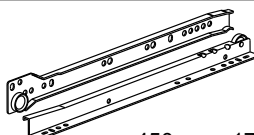
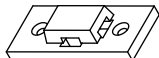



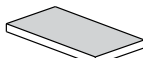



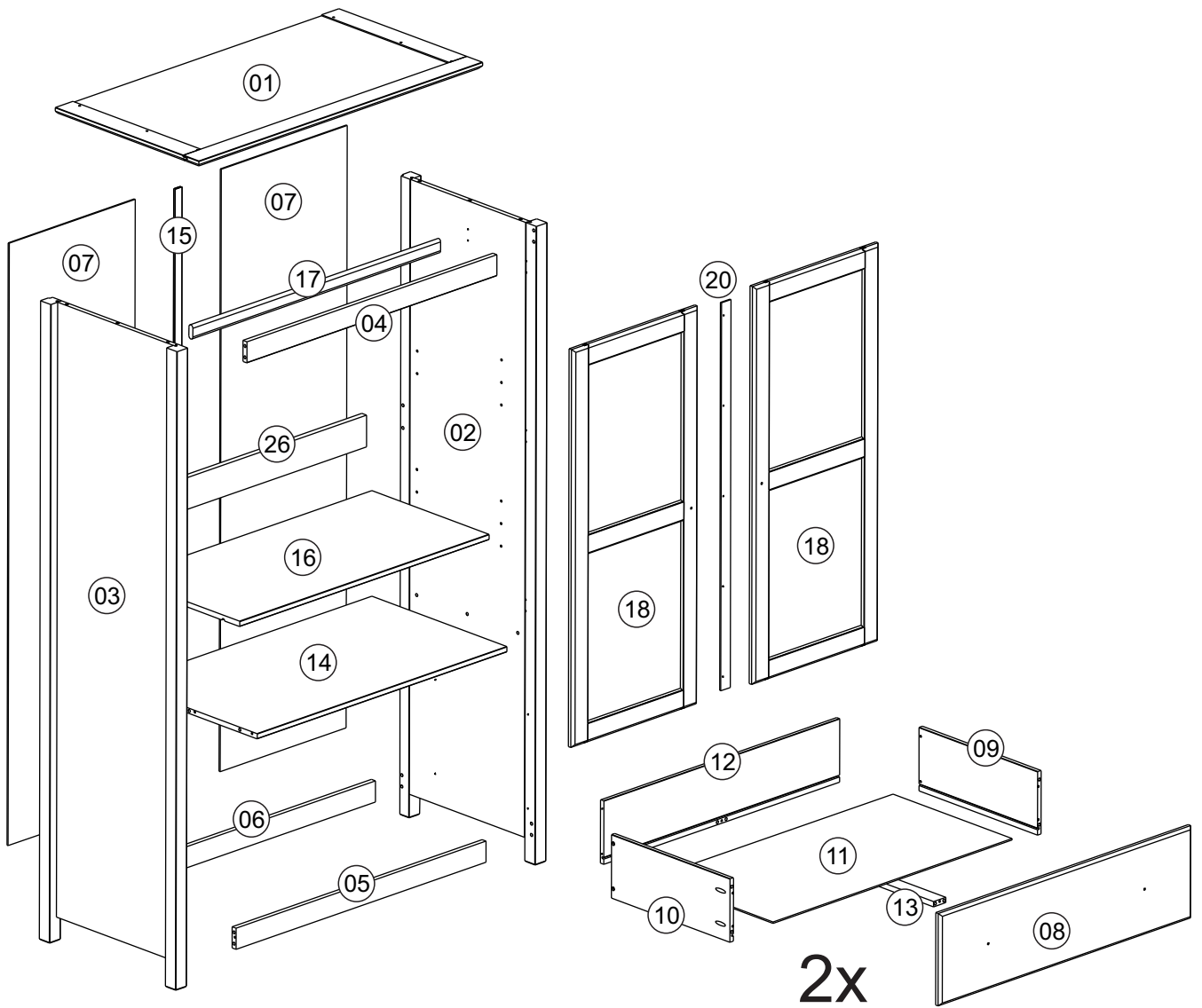
HARDWARE LIST

ATTENTION

Before starting assembly please verify if the hardware set is complete.

For missing hardware please contact support@grainwoodfurniture.com

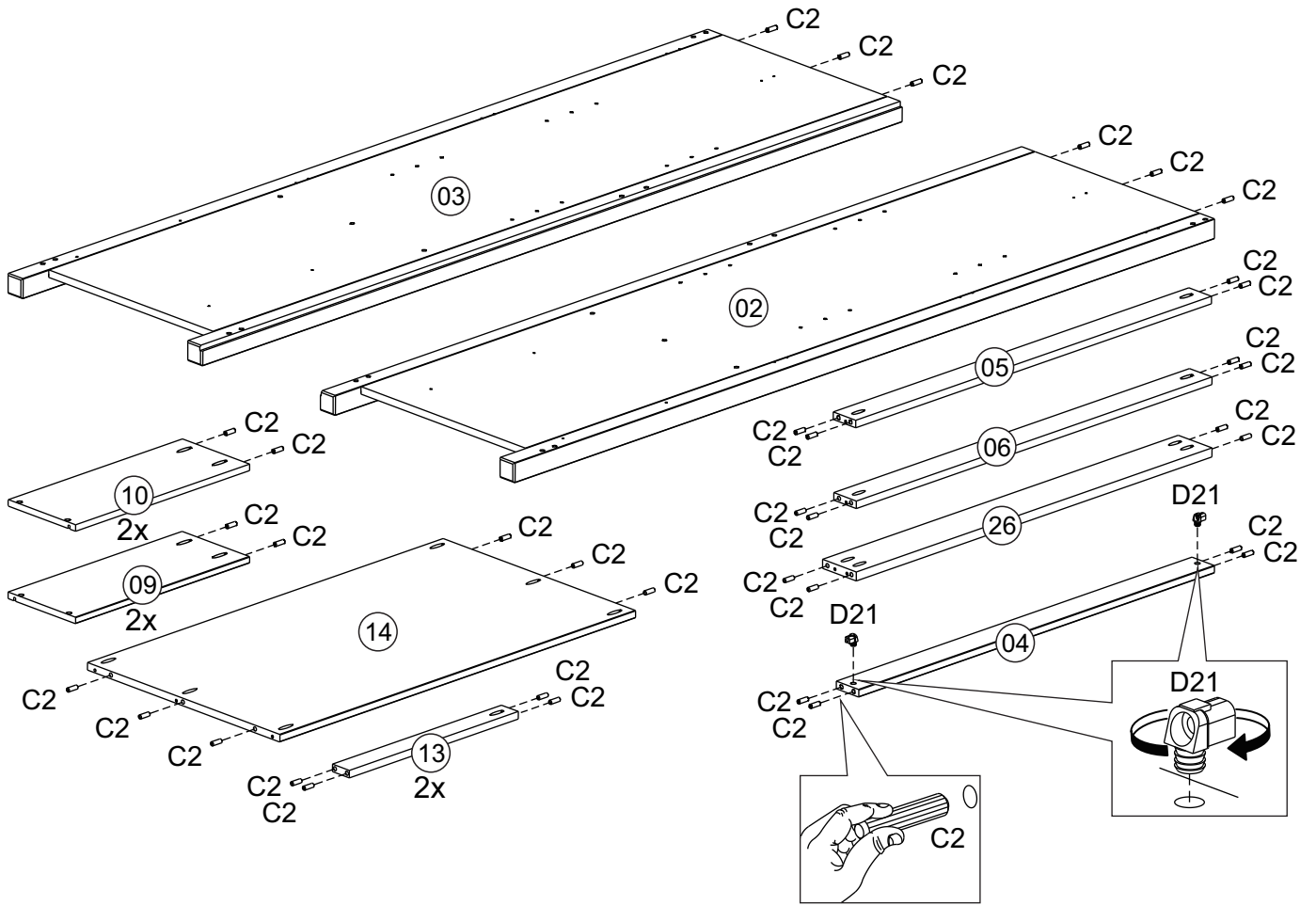
A1	 4,0x30	34 + 2
A4	 3,5x14	26 + 2
A9	 3,5x16	33 + 2
A16	 4,0x40	06 + 1
A18	 4,0x25	02 + 1
A25	 M4x25	06 + 1
C2	 8,0x25	44 + 2
D4	 metal	04 + 1
D10		02
D21		02 + 1
E10	 450mm - 17 3/4"	02
E11	 450mm - 17 3/4"	02
F8		02
F9		01
F10		06
G1	 10x10	44
G11		04
H4		06





Parts list

Box 1			Box 2		
Part #	Description	qty	Part #	Description	qty
01	Top	1	04	Upper crosspiece	1
02	Right side	1	05	Lower crosspiece	1
03	Left side	1	06	Rear crosspiece	1
07	Back panel	2	08	Drawer front	2
15	Profile "H"	1	09	Drawer right side	2
20	Door stop	1	10	Drawer Left side	2
			11	Drawer bottom	2
			12	Drawer back	2
			13	Drawer bottom support	2
			14	Fixed shelf	1
			16	Wide shelf (adjustable)	1
			17	Hanging bar	1
			18	Door - short	2
			26	Long stabilizer	1
				Hardware	1

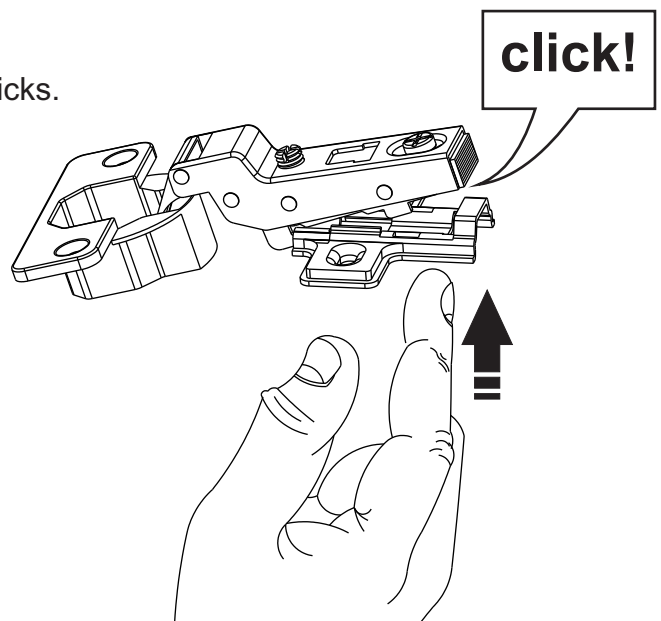
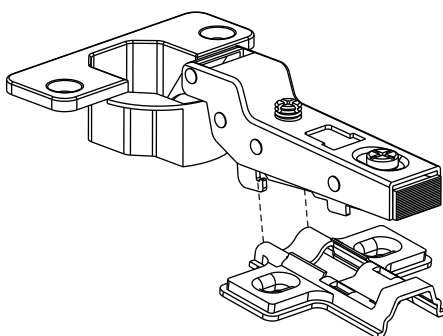
01)



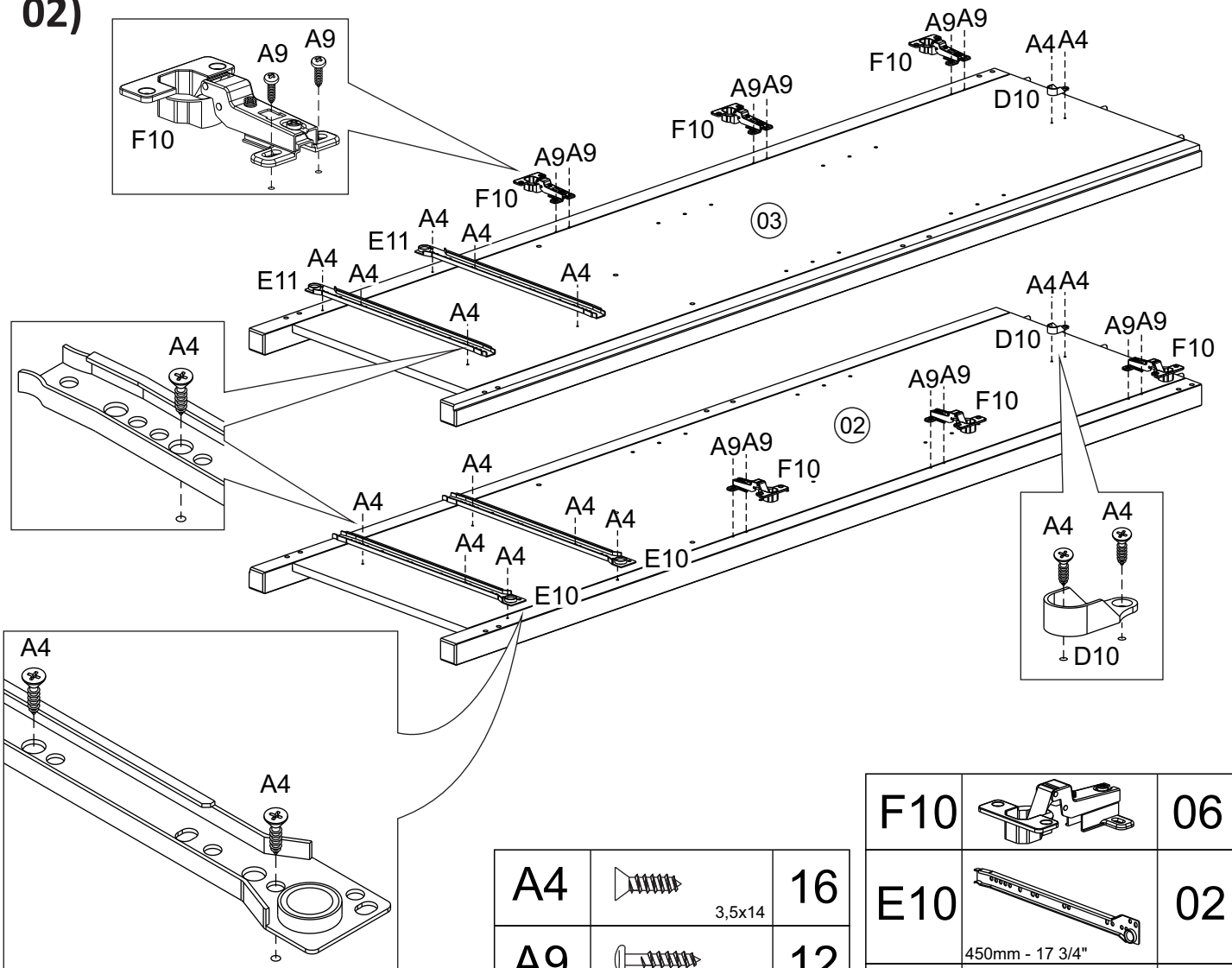
C2	 8,0x25	44
D21		02

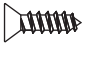
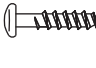

ATTENTION PLEASE!


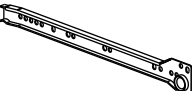
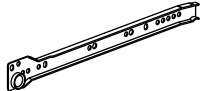
Assemble Hinge (F10) to hinge plate if it comes separated. Push the hinge against plate until it clicks.



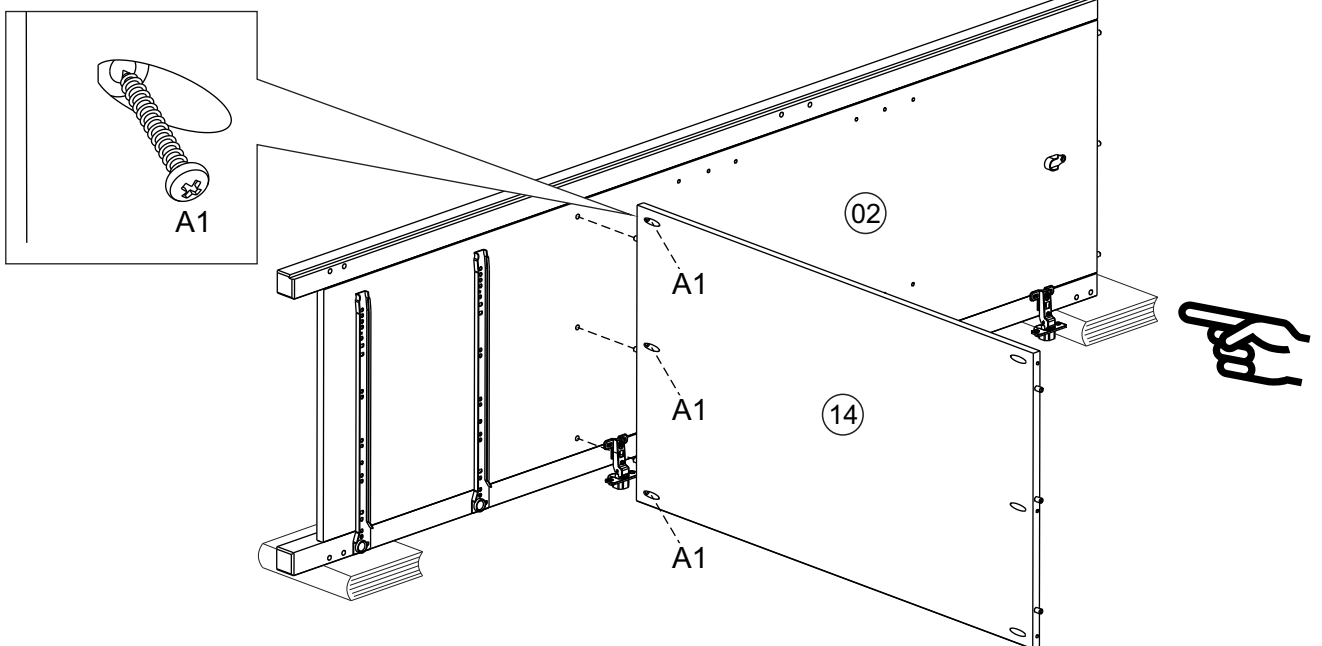
02)




A4		16
	3,5x14	
A9		12
	3,5x16	
D10		02

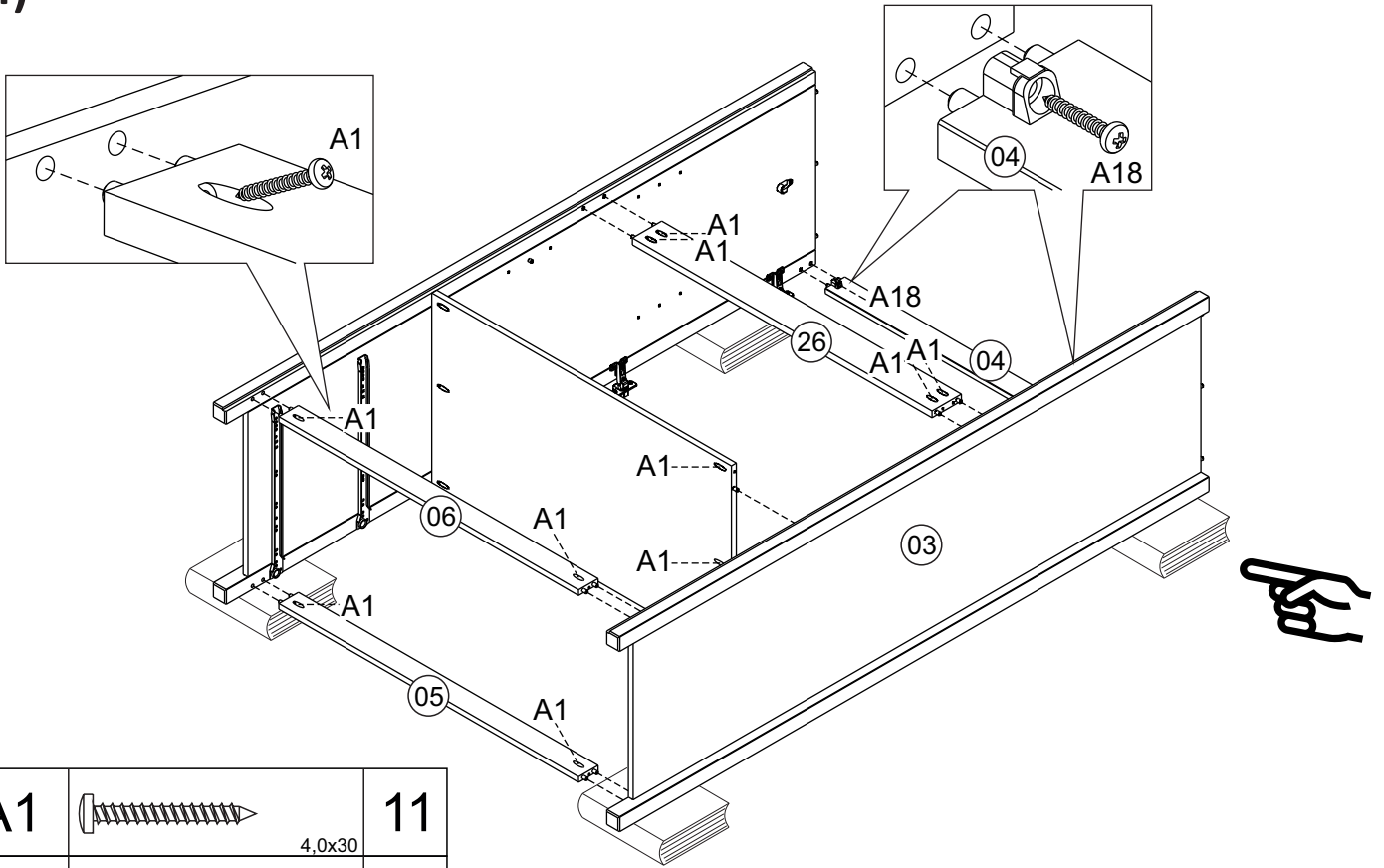
F10		06
E10	 450mm - 17 3/4"	02
E11	 450mm - 17 3/4"	02


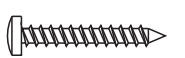
03)



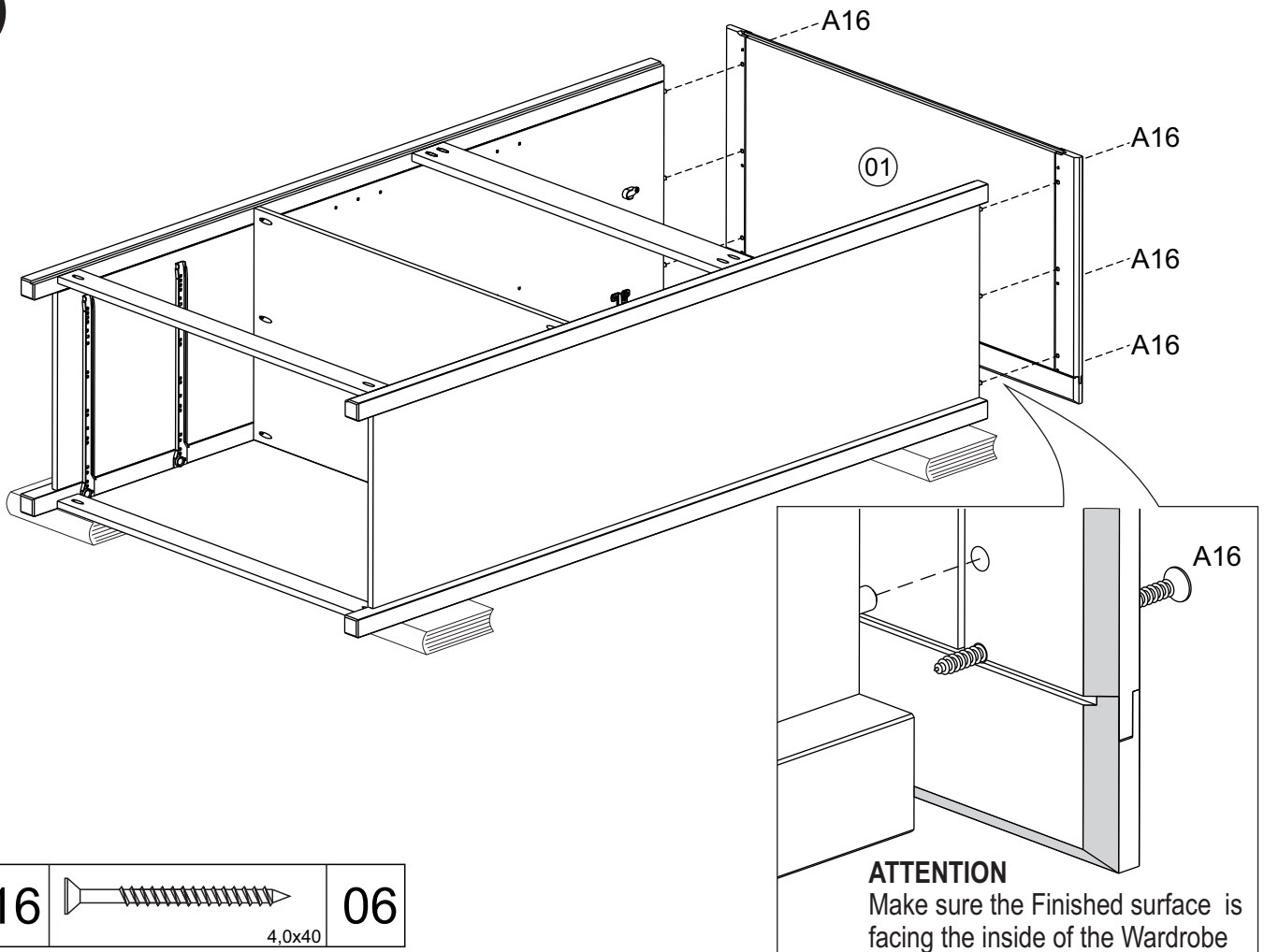
A1		03
	4,0x30	


04)



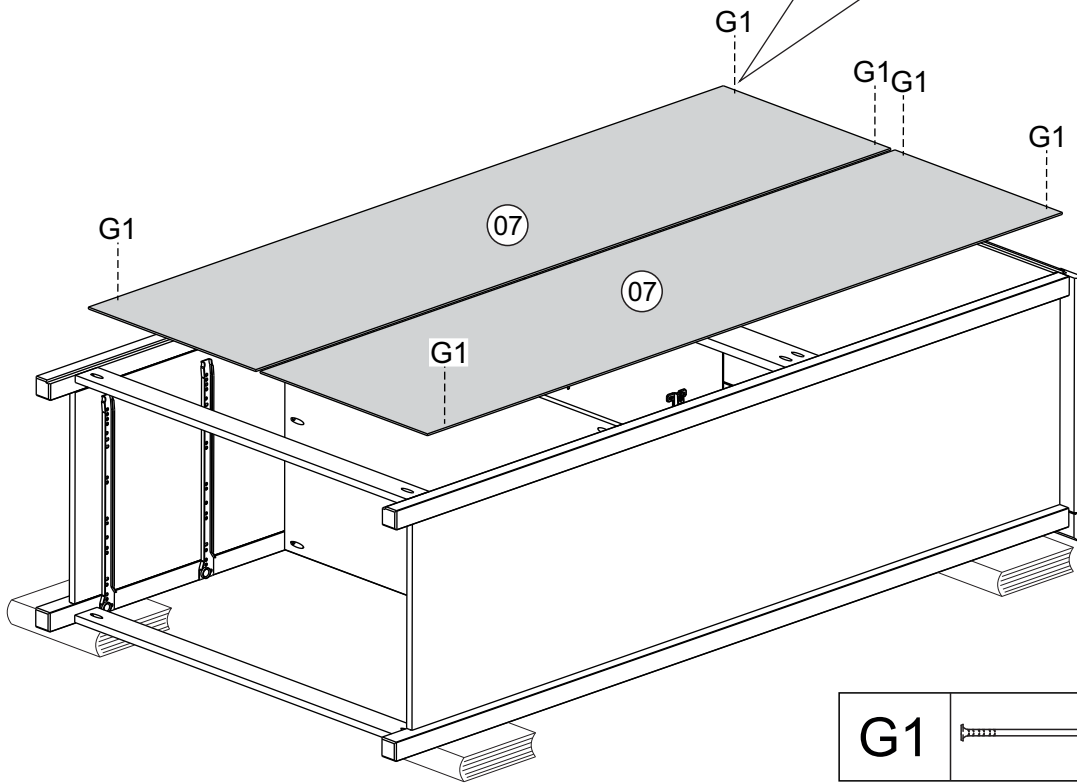
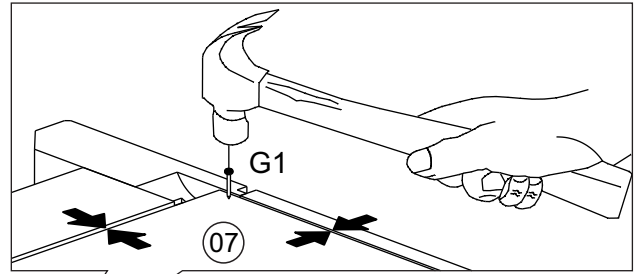
A1		4,0x30	11
A18		4,0x25	02

05)

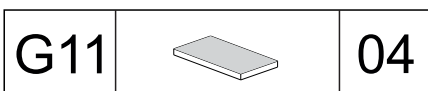
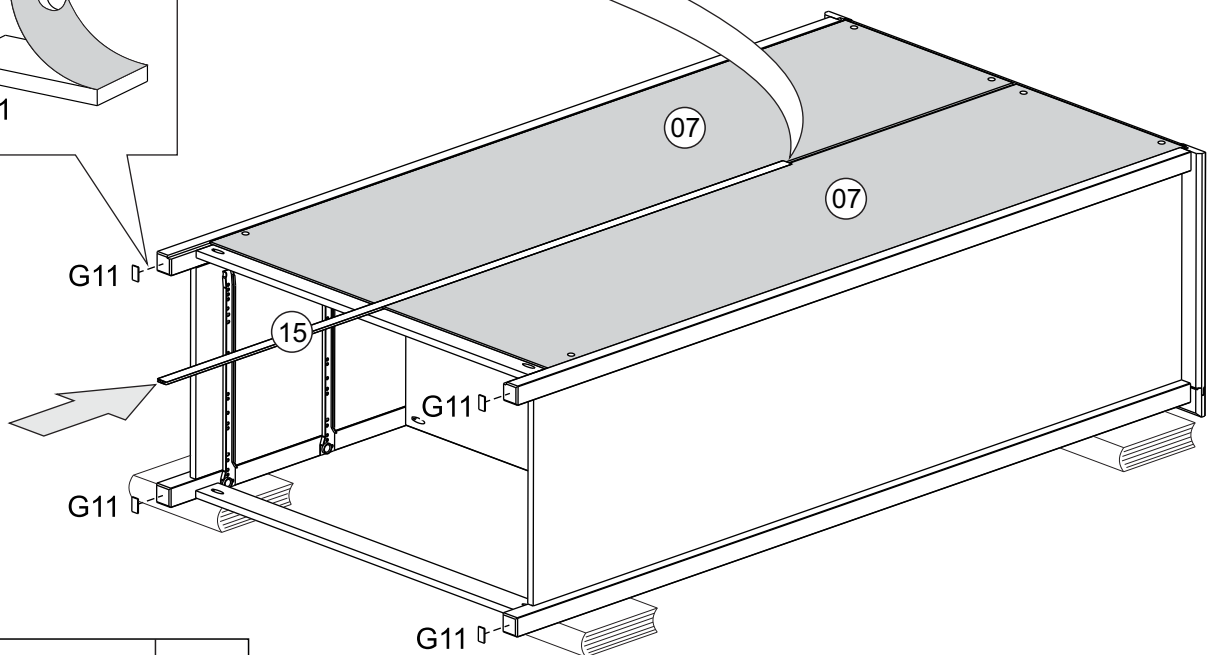
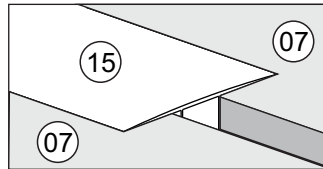
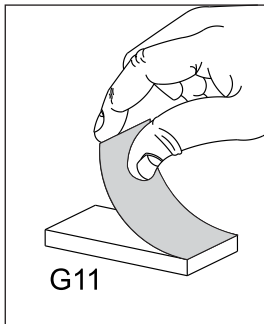


A16		4,0x40	06
-----	---	--------	----

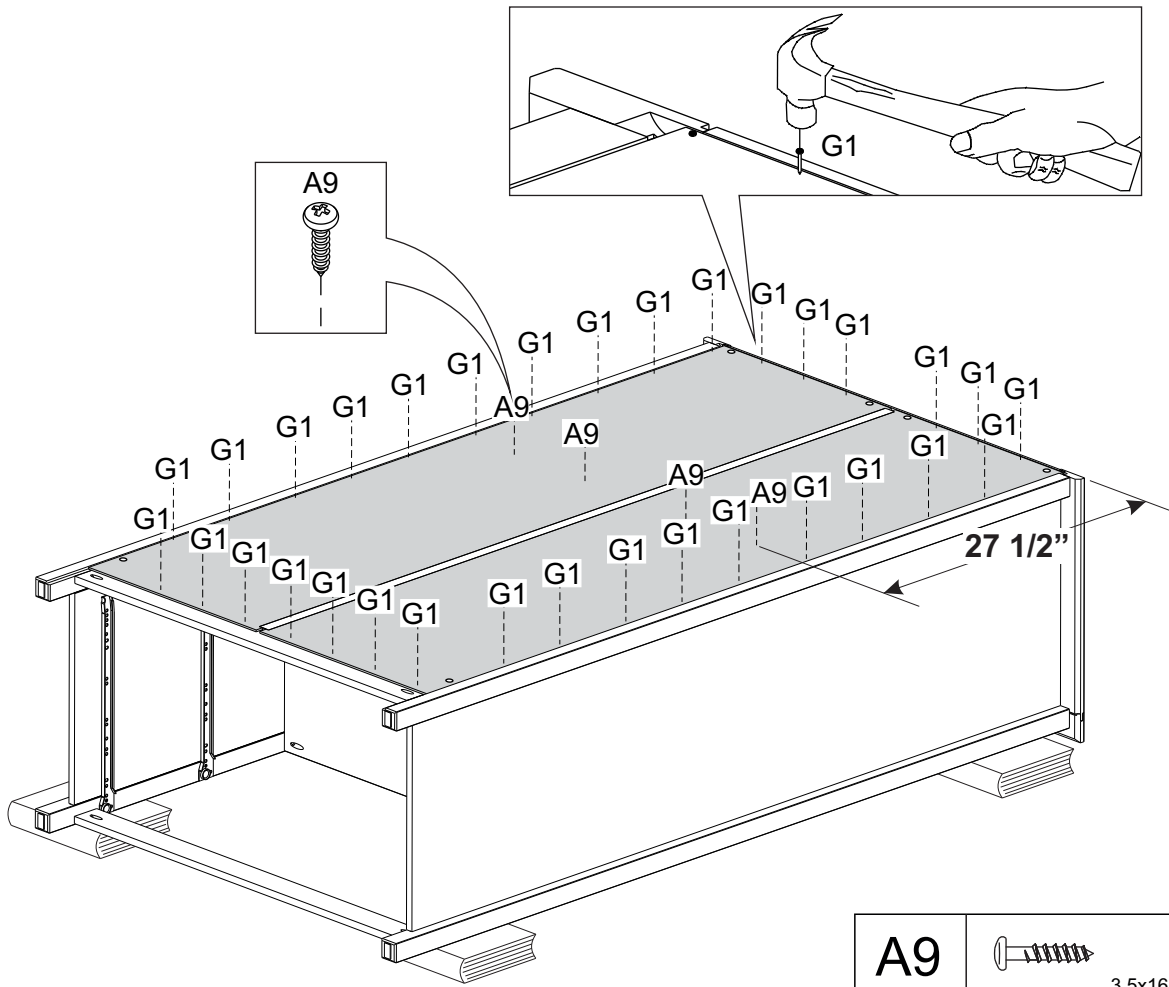
06)

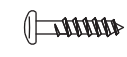



07)

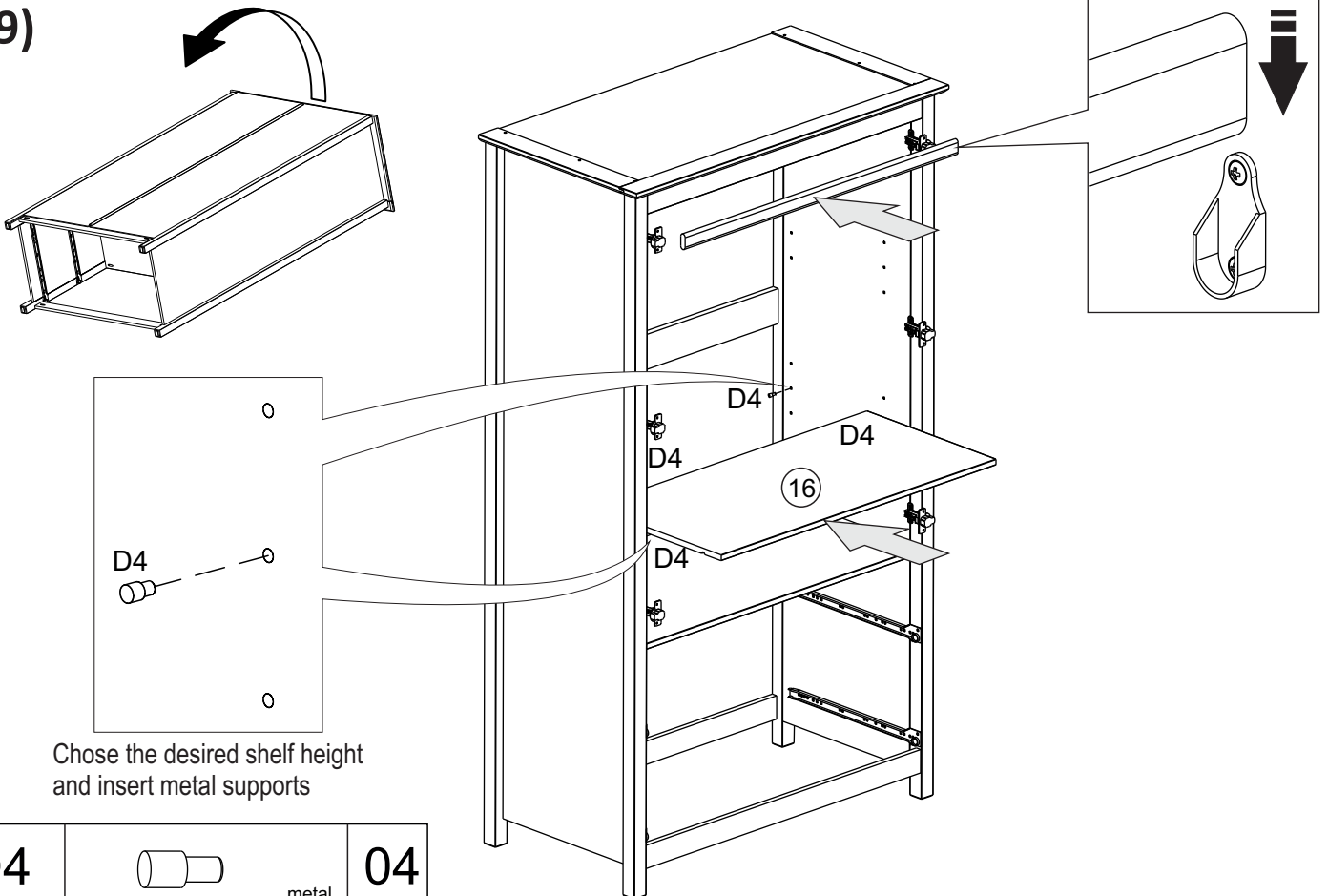


08)

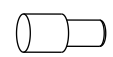


A9	 3,5x16	04
G1	 10x10	34

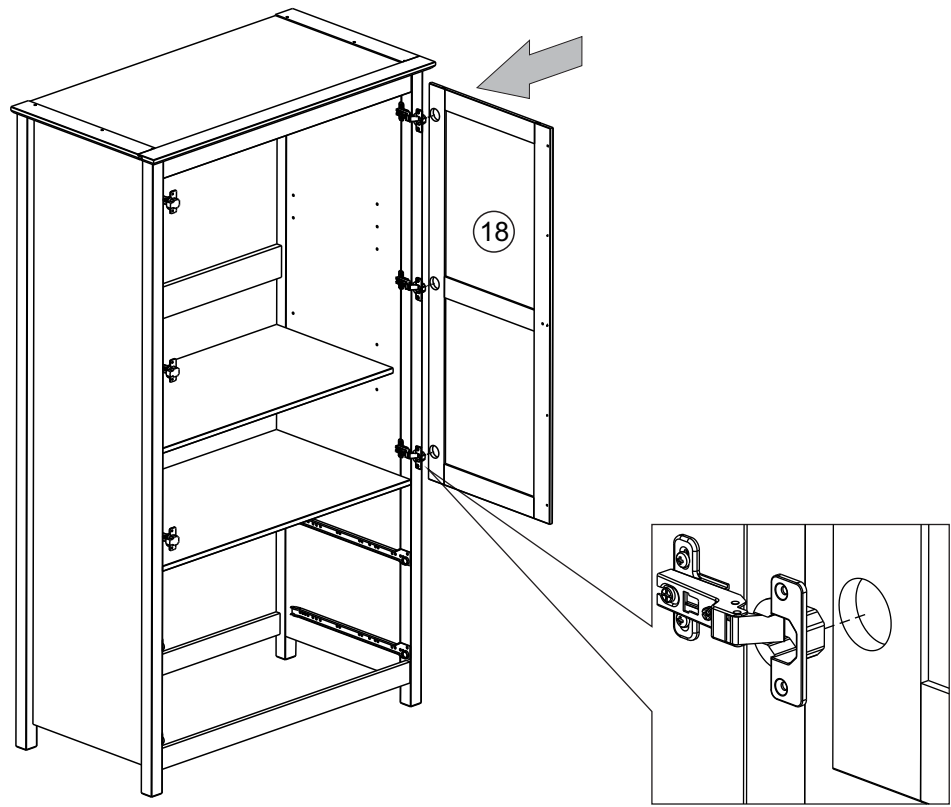
09)



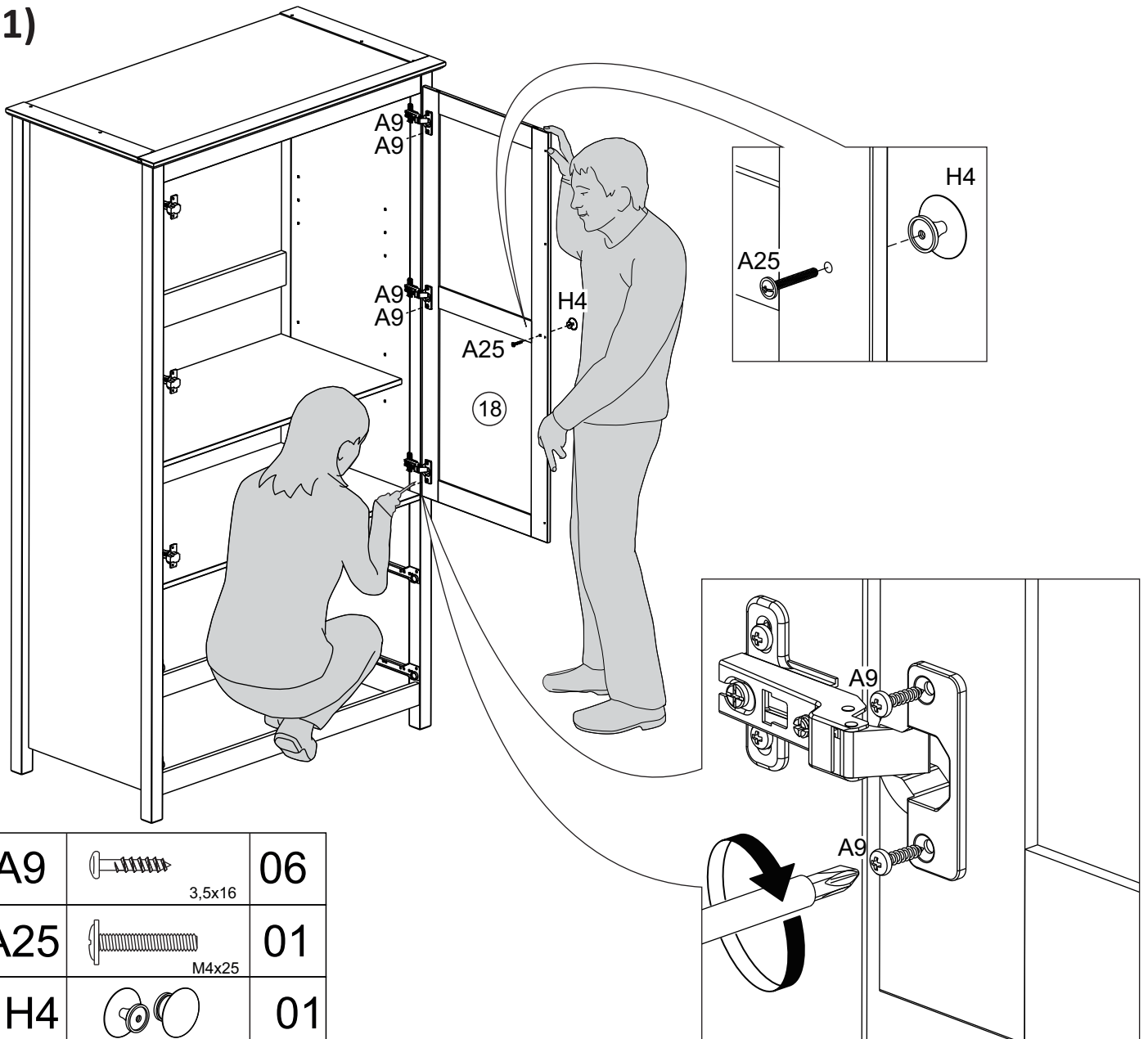
Chose the desired shelf height and insert metal supports



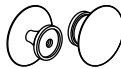
D4	 metal	04
----	---	----

10)

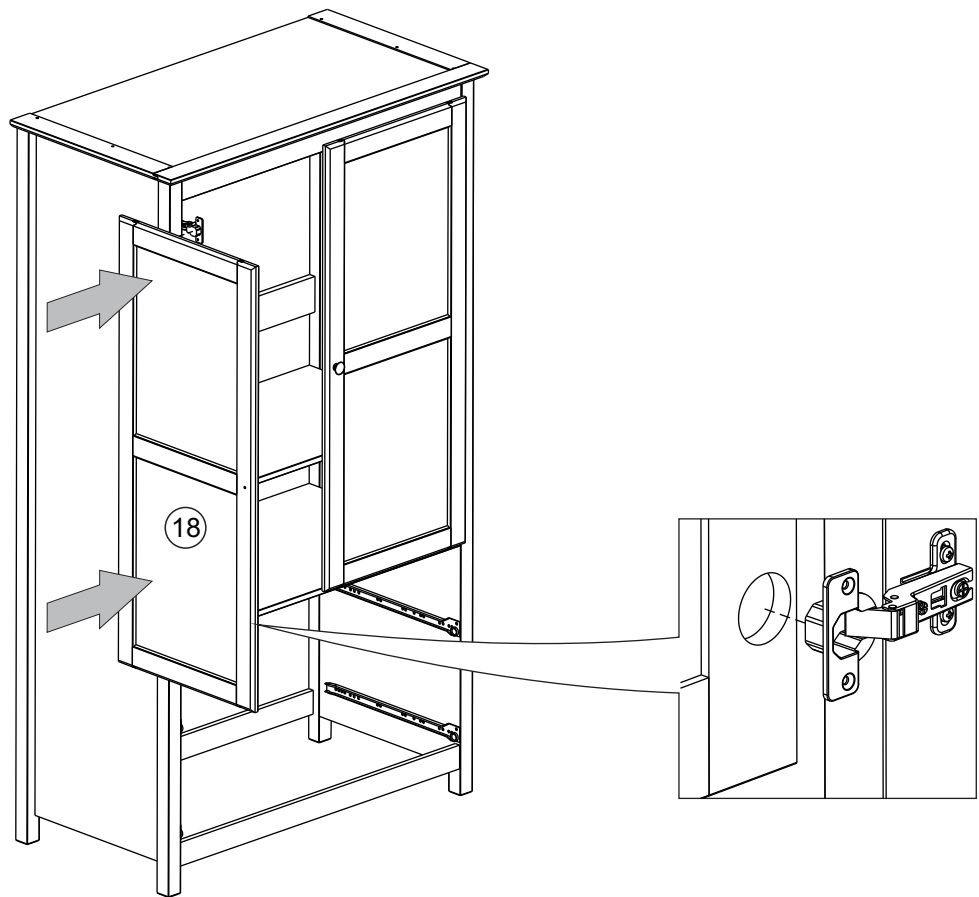


11)

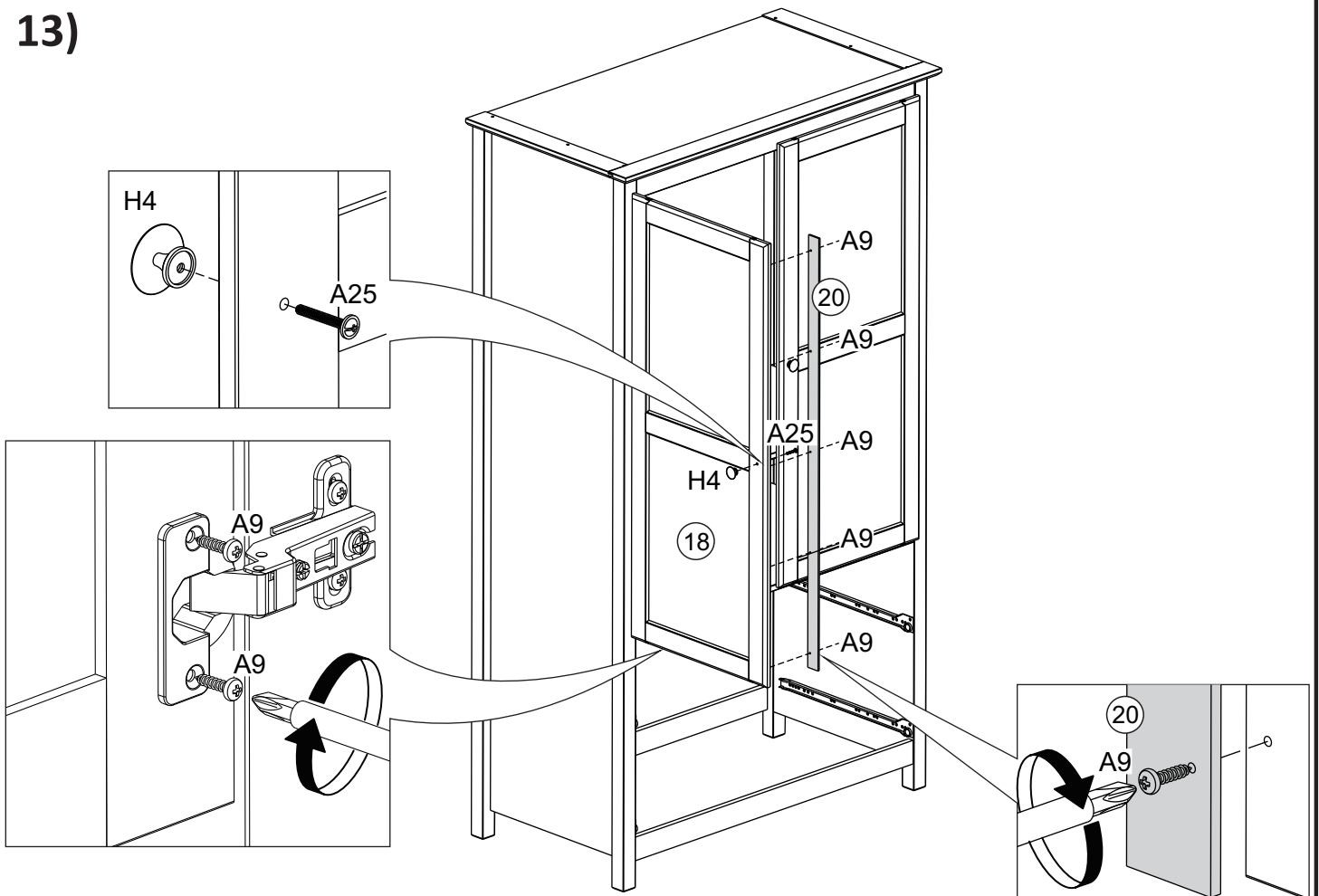





A9	 3,5x16	06
A25	 M4x25	01
H4		01

12)

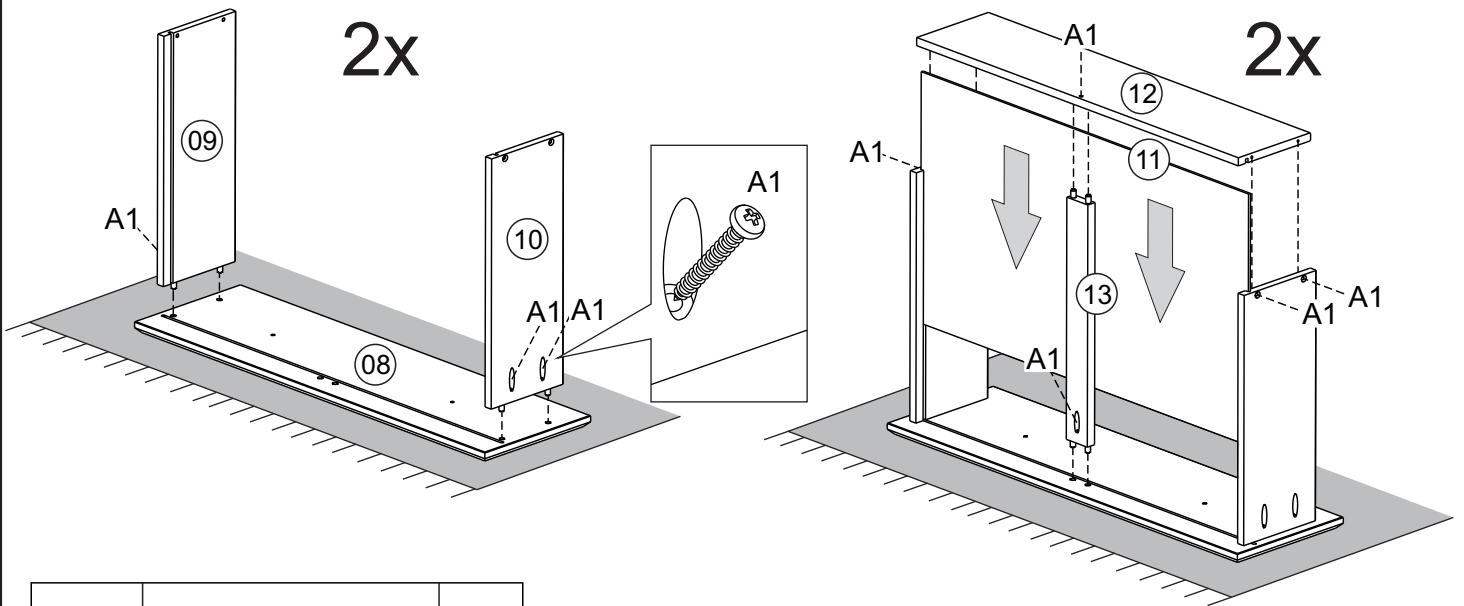



13)



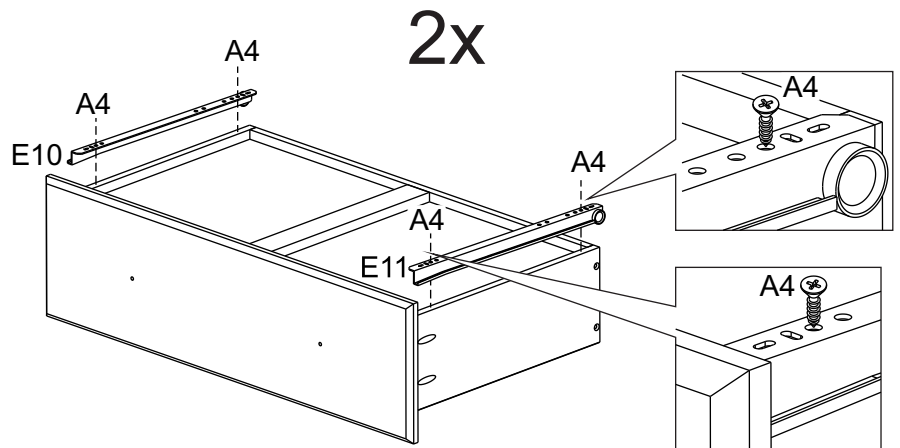
A9	 3,5x16	11	A25	 M4x25	01	H4		01
----	---	----	-----	--	----	----	---	----


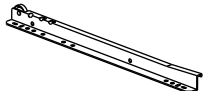
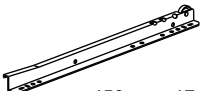
14)



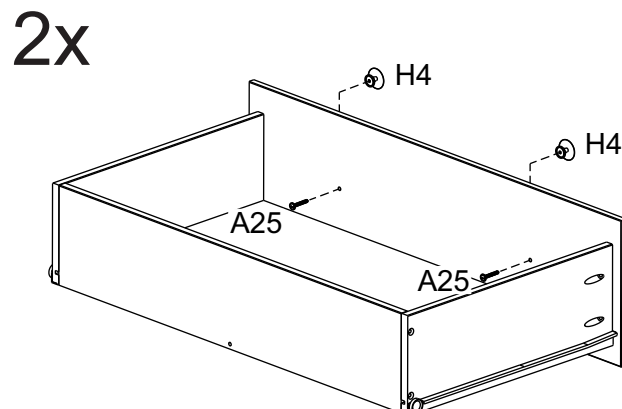
A1		20
	4,0x30	



15) FLIP THE ASSEMBLED DRAWER UPSIDE DOWN TO INSTALL GLIDES



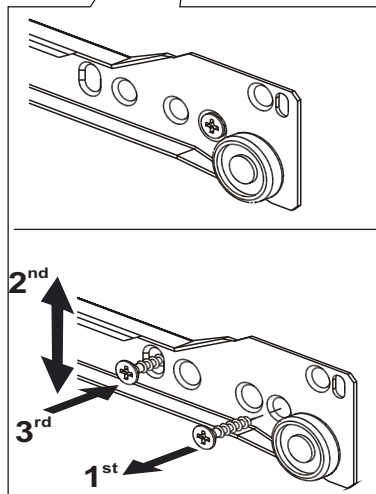
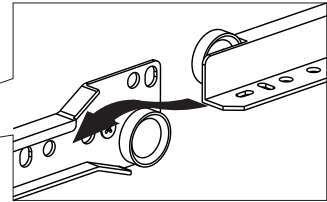
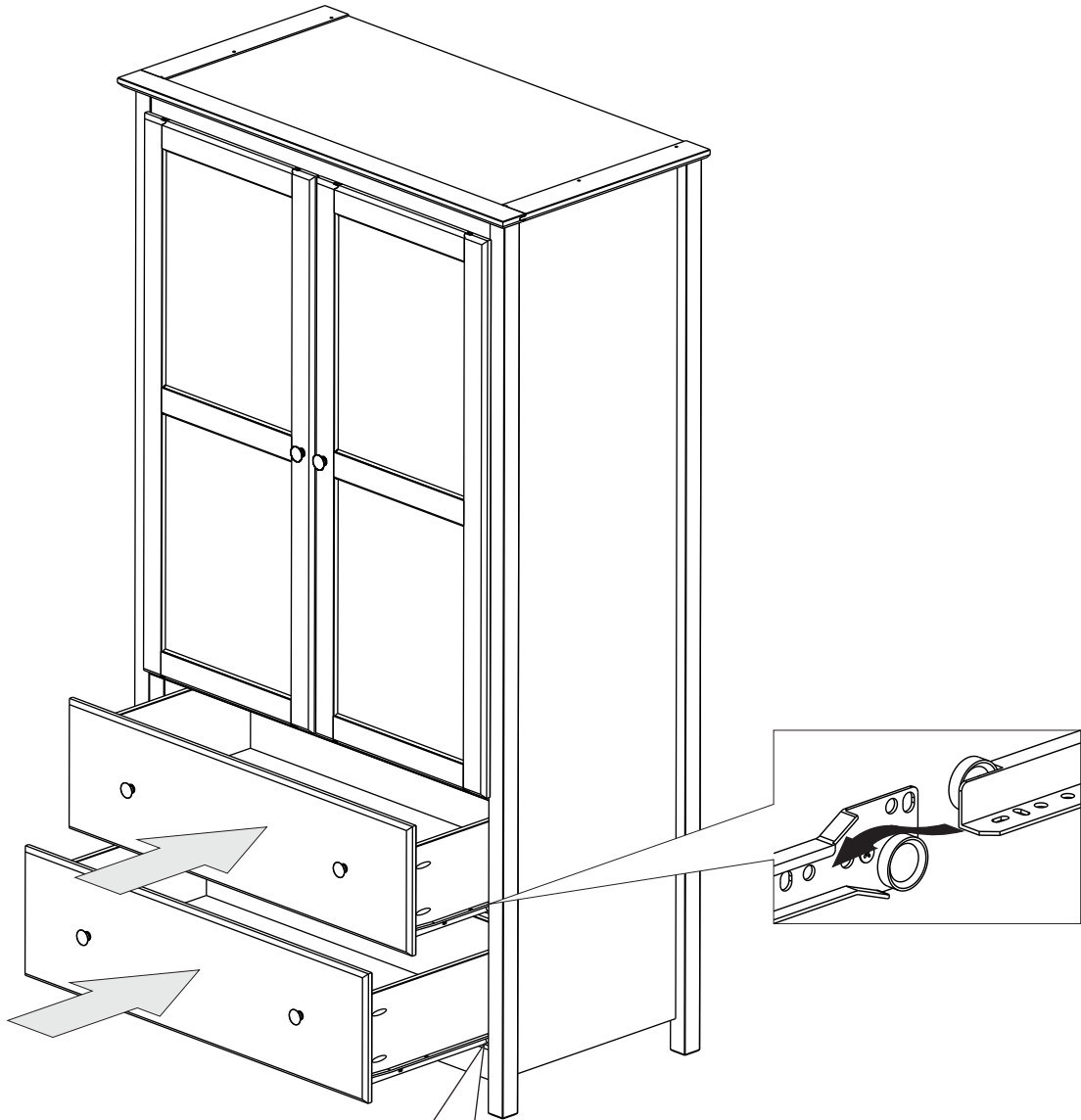
A4		08
	3,5x14	
E10		02
	450mm - 17 3/4"	
E11		02
	450mm - 17 3/4"	

16)



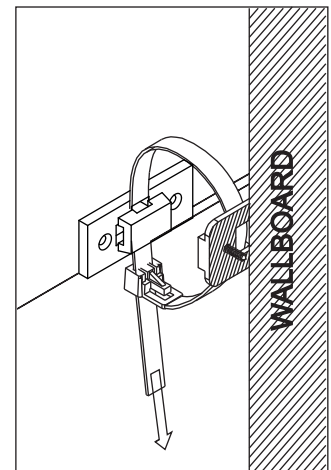
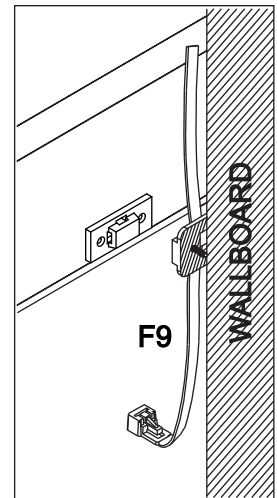
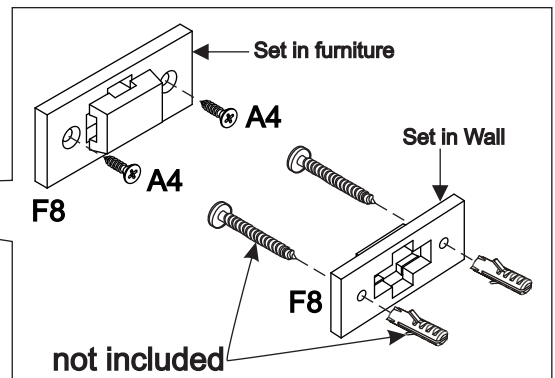
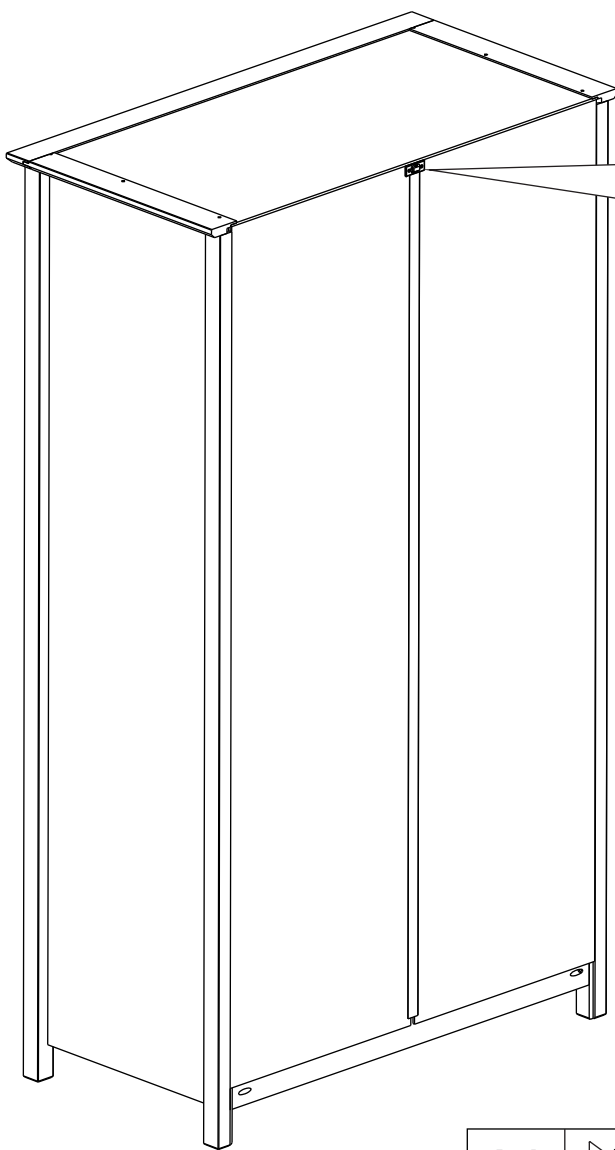
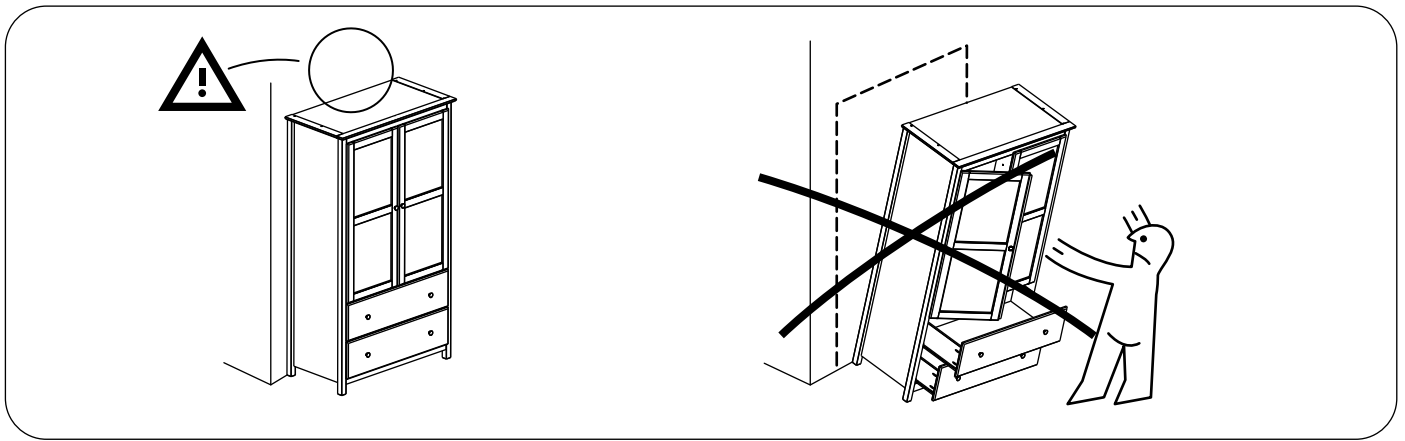
A25		04
	M4x25	
H4		04

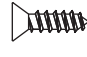


17)



If fine tuning on the glides is needed please follow the steps below

18)



A4		3,5x14	02
F8			02
F9			01

