



Single Bowl Kitchen Sink



50/50 Double Bowl Kitchen Sink



60/40 Double Bowl Kitchen Sink

Before You Start

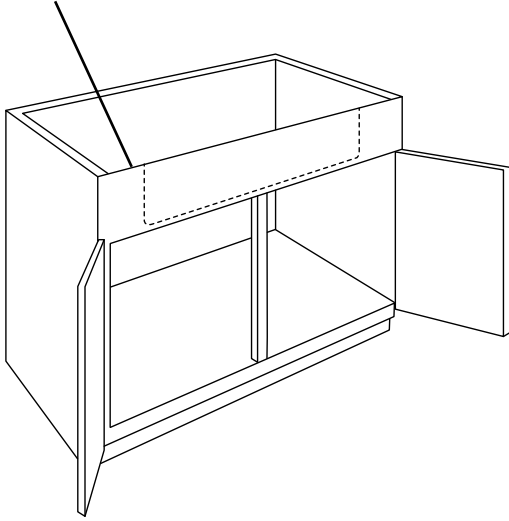
- Soleil recommends that all apron front sinks should be installed by an experienced, professional installer.
- **IMPORTANT:** The enclosed cutout template will create a countertop opening with a minimal (1/8" or less) reveal. It is recommended that you discuss with your installer and agree that the finished appearance is the desired effect. Soleil is not responsible for improper sink or countertop installations.
- **IMPORTANT:** The cabinet must be installed, secured, plumb, and level. The front sink apron must be secured to the front of the cabinet by attaching fasteners through the cabinet front and into the support framing. Failure of this step can lead to product damage.
- **IMPORTANT:** Long screws may damage adjacent cabinets. Ensure the screws are long enough to secure the support framing, but short enough not to go through the walls of adjacent cabinets.
- Soleil apron front sinks should only be fastened to a solid surface countertop (i.e. granite, Corian® or Silestone®).
- A custom sink base cabinet and support framing is required for proper installation. Soleil recommends providing the cabinet maker with the actual sink to be installed prior to cabinet fabrication.
- Soleil is not responsible for sink or countertop if damaged during installation. Be sure to inspect the sink for damage prior to beginning installation.
- Metal edges may be sharp – use caution when handling.
- Follow all local plumbing and building codes.

Recommended Tools & Materials (Not Included)

- | | |
|--|---|
| <input type="checkbox"/> Tape Measure | <input type="checkbox"/> Shims or Cabinet Fillers |
| <input type="checkbox"/> Safety Glasses | <input type="checkbox"/> Denatured Alcohol |
| <input type="checkbox"/> Painter's Tape | <input type="checkbox"/> Clamps |
| <input type="checkbox"/> Saw | <input type="checkbox"/> Construction Adhesive |
| <input type="checkbox"/> Level | <input type="checkbox"/> Silicone Sealant |
| <input type="checkbox"/> Framing Square | <input type="checkbox"/> Support Framing Material (1 ¼" (32mm) Max Thickness) |
| <input type="checkbox"/> Pencil (not permanent marker) | <input type="checkbox"/> Screws (recommended by countertop manufacturer) |

1: PREPARE THE BASE CABINET

OUTLINE FOR APRON FRONT SINK CUTOUT



1. Apply painter's tape to the cabinets for marking and cutting purposes. This will protect the cabinet from damage while cutting.
2. Position the template (provided with your sink) on the front of the cabinet, flush to the top and centered; secure with tape.
3. Trace the template and remove.
4. Using a sharp saw blade, carefully cut the cabinet on the traced line.

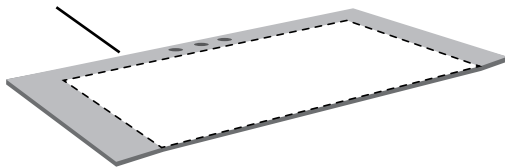
IMPORTANT: The cabinet must be installed, secured, plumb, and level BEFORE installing the sink.

IMPORTANT: Soleil recommends providing the cabinet maker with the actual sink prior to cabinet fabrication. Before installing the sink, verify that the distance from the top of the doors to the top of the cabinet is greater than the apron front.

IMPORTANT: Double check the measurement of the cabinet cutout and make any necessary adjustments by either adding filler strips or sanding the opening.

2: PREP COUNTERTOP

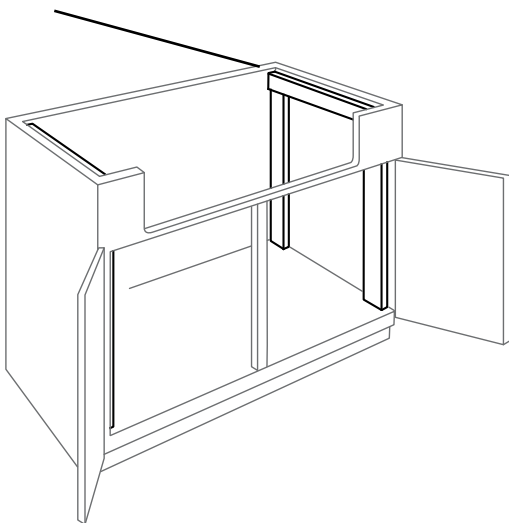
OUTLINE FOR APRON FRONT SINK CUTOUT



1. Position the template (provided with your sink) on the bottom of the countertop, flush to the front and centered; secure with tape.
2. Trace the template and remove. Dry fit the sink to verify the measurements.
3. Following the countertop manufacturer's instructions, carefully cut the countertop on the traced line.

3: INSTALL SUPPORT FRAMING

SUPPORT FRAMING SHOULD BE RECESSED SO THE SINK FITS FLUSH WITH THE TOP OF THE CABINET



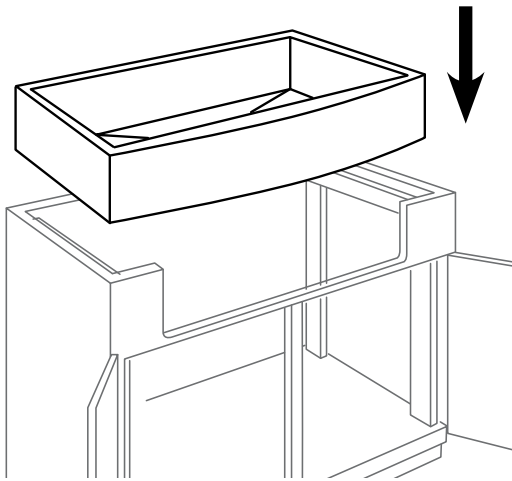
1. Cut two lengths of support framing to extend horizontally along the inside walls on each side of the cabinet.
2. Measure and mark the support mounting locations; ensure the sink rim will sit at or slightly below the top of the cabinet.
3. Position and level the supports.
4. Secure the supports with construction adhesive and screws (not provided).
5. Cut (4) lengths of support framing to extend from the bottom of the horizontal supports to the floor of the cabinet.
6. Secure the vertical supports with construction adhesive and screws (not provided).

IMPORTANT: Long screws may damage adjacent cabinets. Ensure the screws are long enough to secure the support framing, but short enough not to go through the walls of adjacent cabinets.

IMPORTANT: A custom sink base cabinet and support framing is required for proper installation.

IMPORTANT: Make sure the top of the sink does not extend above the top of the cabinet; otherwise it will interfere with countertop installation.

4: INSTALL THE SINK



1. Lower the sink onto the supports and verify the sink is supported by the frame.
2. Push the sink in to ensure the apron is flush to the front of the cabinet.
3. Verify the sink is level. Make any adjustments and shim as needed.
4. Secure the sink in place using the hardware provided.

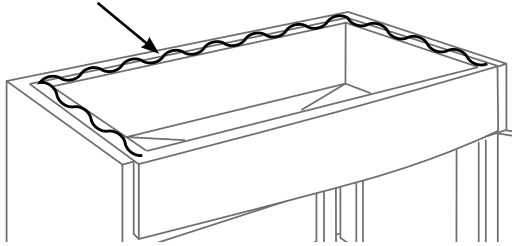
IMPORTANT: The front sink apron must be secured to the front of the cabinet by attaching fasteners through the cabinet front and into the support framing. Failure of this step can lead to product damage.

IMPORTANT: Soleil is not responsible for sink or countertop if damaged during installation. Be sure to inspect the sink for damage prior to beginning installation.

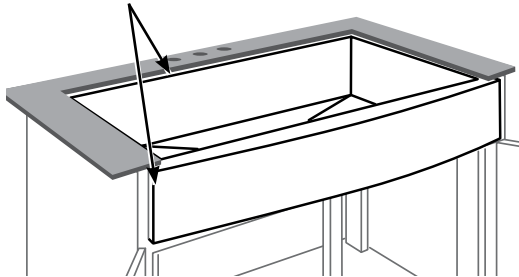
IMPORTANT: Metal edges may be sharp - use caution when handling.

5: INSTALL COUNTERTOP

APPLY SILICONE SEALANT AFTER CLEANING THE SINK EDGE AND COUNTERTOP



APPLY SILICONE SEALANT WHERE THE SINK MEETS THE COUNTERTOP AND CABINET.



1. Clean the bottom of the countertop and the top flange (or lip) of the sink with denatured alcohol.
2. Apply a narrow bead of silicone adhesive sealant around the side and back of the sink.
3. Carefully position and secure the sink to the countertop following the manufacturer's instructions.
4. Apply a thin bead of silicone sealant where the sink meets the countertop and cabinet.
5. Immediately remove excess sealant.

IMPORTANT: The enclosed cutout template will create a countertop opening with a minimal (1/8" or less) reveal. It is recommended that you discuss this with your installer and agree that this finished appearance is the desired effect. Soleil is not responsible for improper sink or countertop installations.

IMPORTANT: Soleil apron front sinks should only be fastened to a solid surface countertop (i.e. granite, Corian® or Silestone®).

IMPORTANT: Make sure the top of the sink does not extend above the top of the cabinet; otherwise it will interfere with countertop installation.

6: FINAL STEPS

1. Following all local plumbing and building codes, install the faucet according to the manufacturer's instructions.
2. Connect the drain and piping.
3. Run water into the sink and check all connections for leaks.

*IMPORTANT: For additional information or warranty issues visit www.soleilsinks.com or contact Soleil directly at:
Soleil Sink Company Inc.
820 Shallowford Rd
Kennesaw, GA 30144
(678) 445-4638*

This product has been manufactured and tested to the highest quality standards by SOLEIL Sinks. We offer our customers thoughtfully crafted fixtures & accessories, engineered for enduring performance over years of use.

WHO IS COVERED BY THE WARRANTY

This warranty extends to the original purchaser only. This warranty is not transferable, between homes or owners and is only applicable to residential use.

WHAT IS COVERED BY THE WARRANTY

SOLEIL warranties this product against defects due to material or craftsmanship error during the warranty period: SOLEIL will provide replacement parts at no charge, or at its option, replace any product or part of the product that is deemed defective, under normal installation, use, service and maintenance. If SOLEIL is unable to provide a replacement and repair is not practical or cannot be made in timely fashion, SOLEIL may elect to refund the purchase price in exchange for the return of the product.

CONDITIONS AND EXCLUSIONS

Like other home fixtures, SOLEIL products will require light maintenance to ensure proper function. We provide you with complete knowledge to perform this maintenance and can also recommend resources if you are unable to fulfill this service.

A. SOLEIL will not be responsible for product failures due to lack of maintenance or proper use. Please read your care and maintenance documentation to determine the limits of proper use.

B. The original sales receipt, order number, and/or proof of purchase must be presented at the time of the warranty claim, without exception, for this warranty to be applied to all SOLEIL products.

C. SOLEIL recommends installing all SOLEIL products with a licensed, professional plumber. SOLEIL will not be held responsible for any damage or product failure due to improper installation, misuse, or failure to use a licensed professional. Please read your care and maintenance documentation to determine the limits of proper use.

D. Commercial use will automatically void this warranty.

NON-APPLICABILITY OF THIS WARRANTY

By the purchase and use of our products, you agree that SOLEIL is not liable for incidental, consequential or special damages associated with the return, replacement, installation or use of your product. This includes freight costs, cartridge replacement, labor, travel time, lost profit, home damages and other contingent liabilities and costs (including, without limitation, costs associated with experts, investigations, analyses, attorneys and other professionals and services). The SOLEIL warranty is a comprehensive and explicit limit of liability and all items outside of it are not addressable by or the responsibility of SOLEIL. Certain states have variances regarding implied warranties and in those situations we remain fully compliant.

SOLEIL Sinks makes no implication that products comply with any or all local building or plumbing codes. It is the consumer's responsibility to determine local code compliance. This warranty extends to the original purchaser and first consumer.

For additional information or warranty issues visit www.soleilsinks.com or contact Soleil Sinks directly: PHONE (678) 445-4638