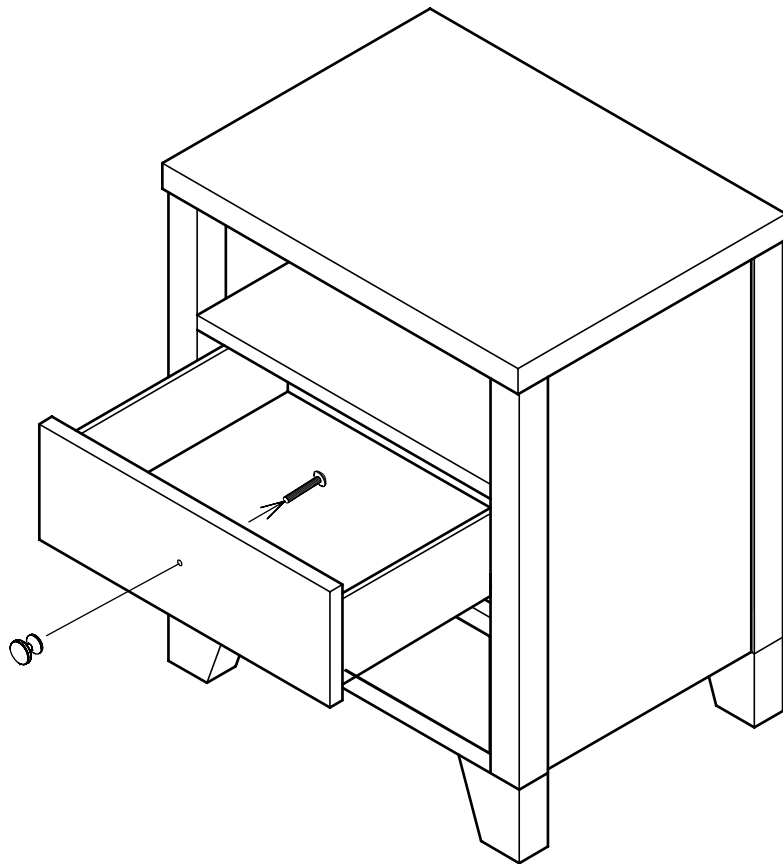


500 SERIES CASEGOODS

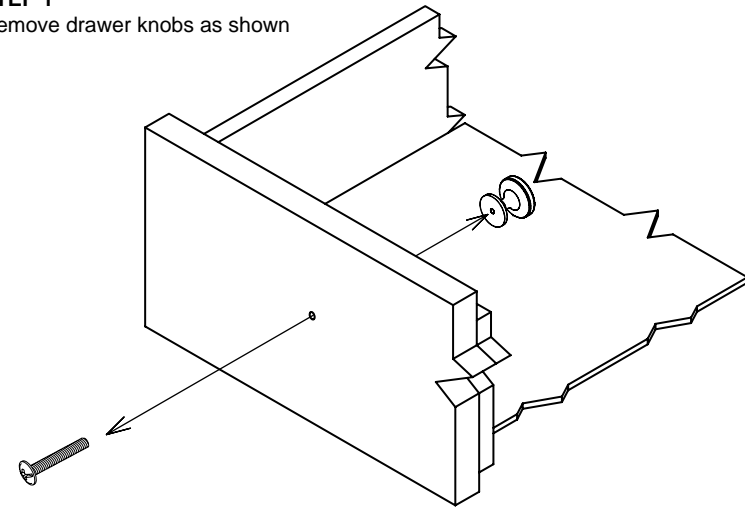
FIXING OF DRAWER HANDLES

The Drawer Handles are fixed inside the Drawers to reduce transportation related damages. You'll need to remove and fix it onto the correct orientation.



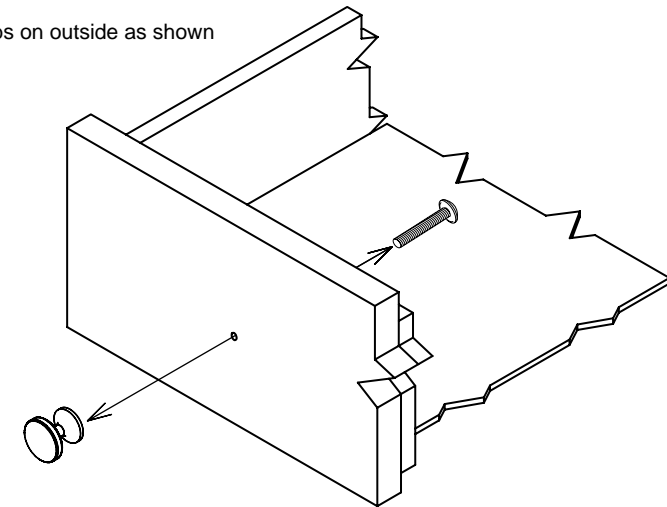
STEP 1

Remove drawer knobs as shown



STEP 2

Refix knobs on outside as shown



IMPORTANT

- Please ensure underside of furniture unit is wiped clean with cloth before placing to the desired location. Avoid dragging furniture on carpets to prevent possible staining.
- Placing Hot or Cold beverages on the item will damage the finish. Please use coaster to protect finish.