

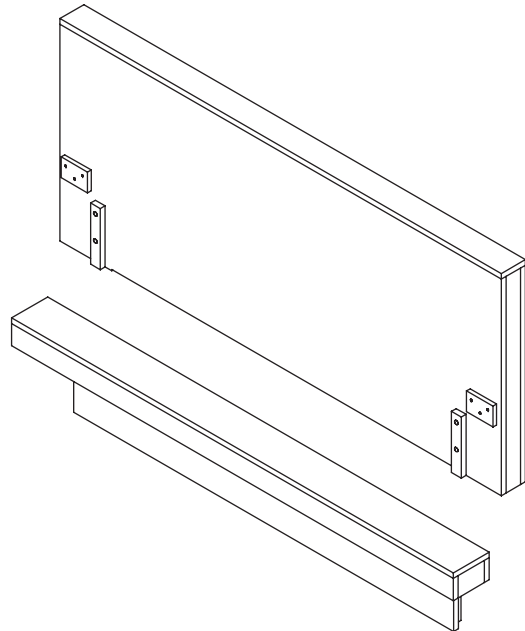
Zurich Bed

Assembly Instructions

Parts And Fittings Packing Detail

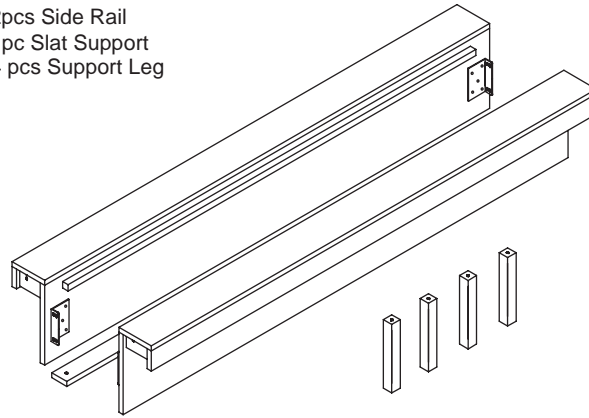
Box #1

- 1pc Head Board
- 1pc Foot Board



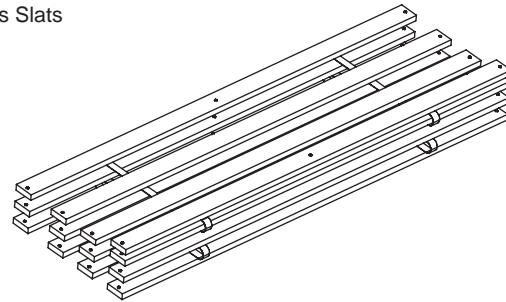
Box #2

- 2pcs Side Rail
- 1pc Slat Support
- 4 pcs Support Leg



Slats Box

- 13pcs Slats




Hardware Pack In Box #1

-  M8 x 25mm Bolt
- 8 pcs


-  Flat Washer
- 12 pcs

-  Spring Washer
- 12 pcs

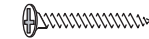
-  M6 x 70mm JCBC
- 4 pcs

-  M6 x 35mm JCBC
- 4 pcs

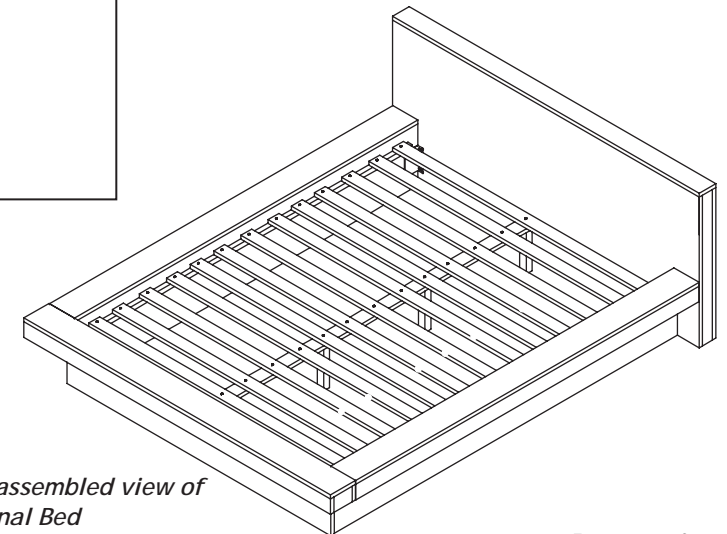
-  4mm Allen Key
- 1pc

-  5mm Allen key
- 1 pc

Hardware Pack In Slats Box



- M4 x 32mm Screw - 26 pcs
- (Wrapped in separate Plastic Bag)



A complete assembled view of a Conventional Bed

Assembly Instructions

Step 1/Diagram 1a & 1b

Fix both side rails to the Head Board and Foot Board as shown in diagram 1a with the 25mm bolts, washers and spring washers.

Do not tighten all the bolts at this point. Carefully thread in the M6 x 35mm JCBC Bolts through the side rail end as shown in diagram 1b to the Head/Foot Board insert nut. Tighten all 12 bolts when the Head/Foot Board and side rails only when they are fully assembled together.

Step 2/Diagram 2

Spread out all the slats on to the slat support. Further secure the pre-drilled slats to the slat support and support legs with 4nos M6 x 70mm bolt as shown in diagram 2.

Step 3/Diagram 3

Place both ends of the assembled slats in the bed frame resting on both sides of the side rails and screw them in place with the 32mm screws provided as shown in diagram 3.

