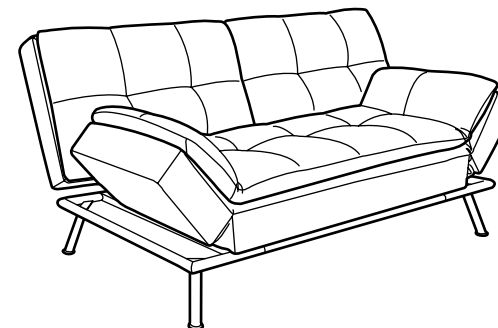
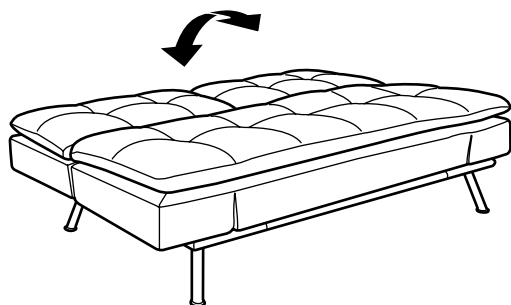
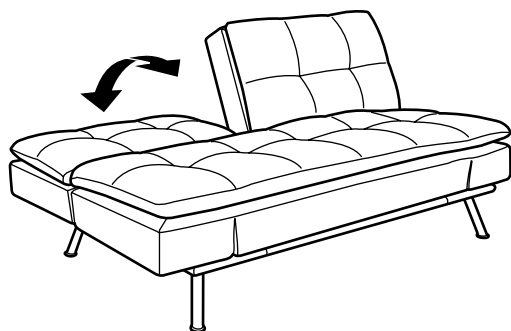
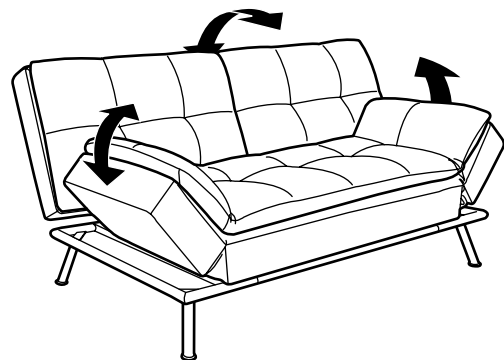


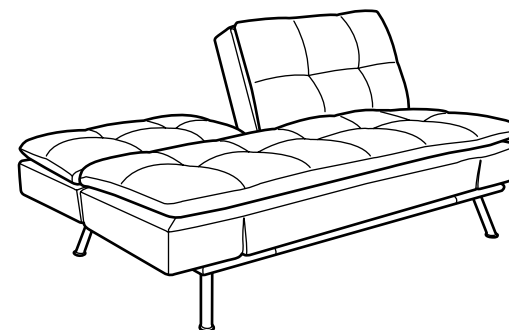
CONVERTING THE MATRIX DOUBLE CUSHION

The *Matrix* is a multi-positional convertible that can be customized into multiple different configurations.

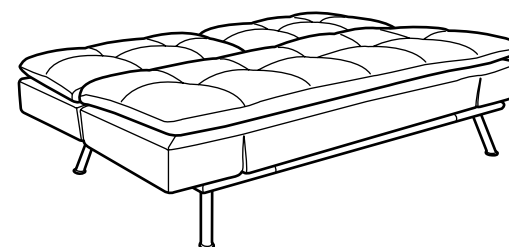
1. Standing at the side of the unit, lift backrest OR armrest to the desired position and secure in place by releasing to the sound of a click.
2. To return to a flat position, lift backrest OR armrest all the way up to the end, releasing the locking mechanism.



SOFA WITH ARMREST



SPLITBACK

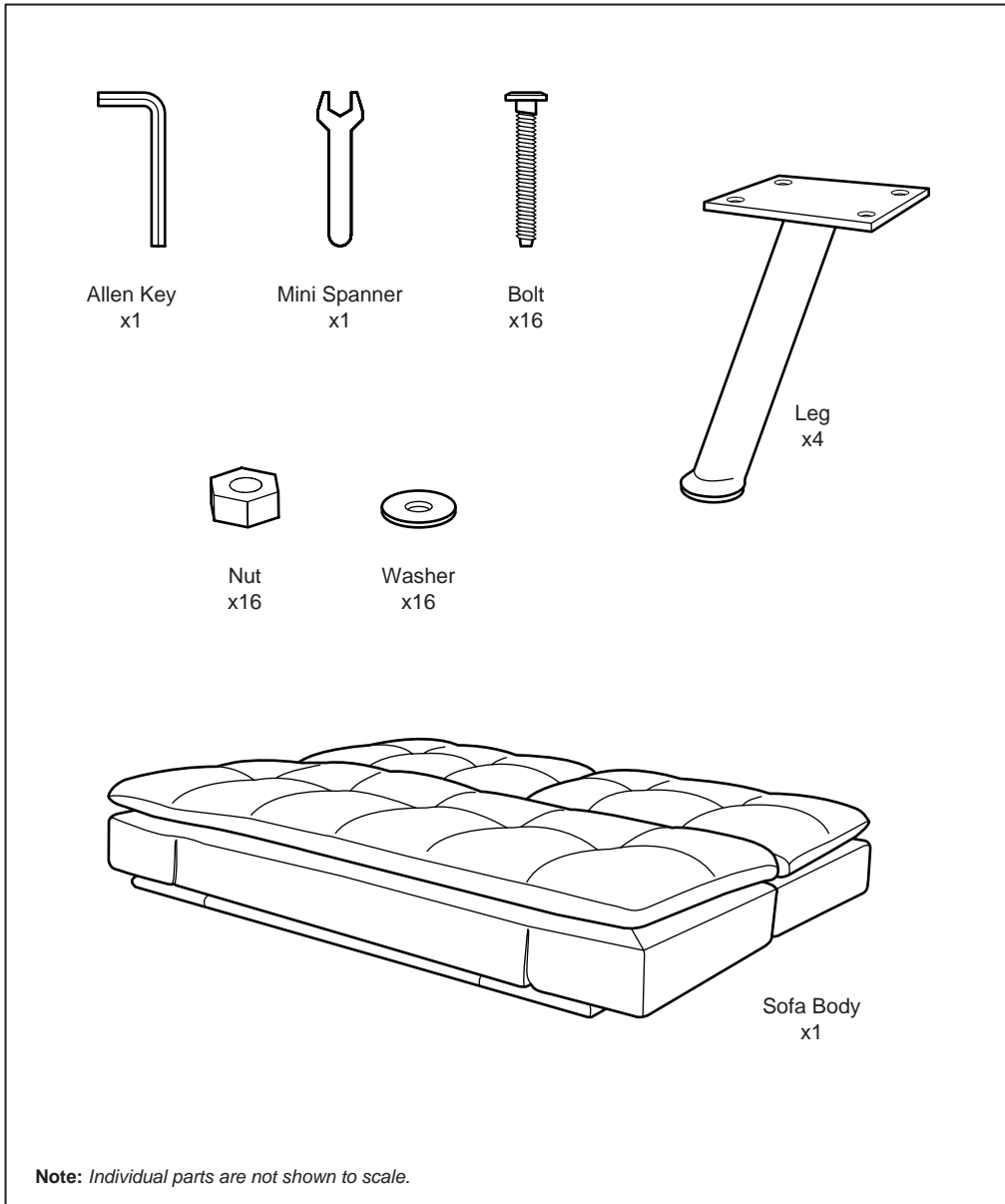


BED

BEFORE YOU BEGIN

Avoid using sharp objects such as a knife to cut open the packing as you may accidentally damage the upholstery.

PARTS AND HARDWARE



ASSEMBLING THE MATRIX DOUBLE CUSHION

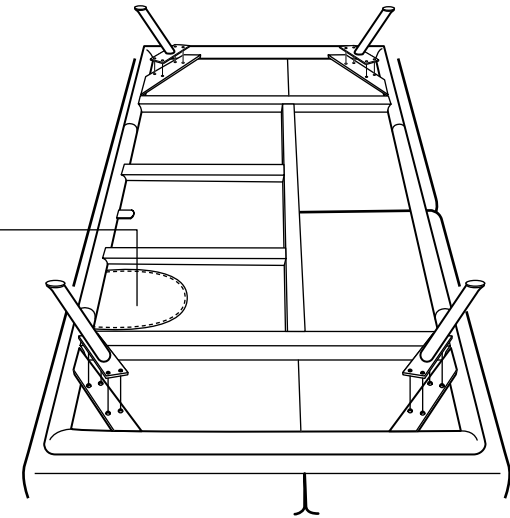


CAUTION: At least two adults are required to safely complete performing this task. Other lifting attempts may risk back injury due to large and heavy part(s).

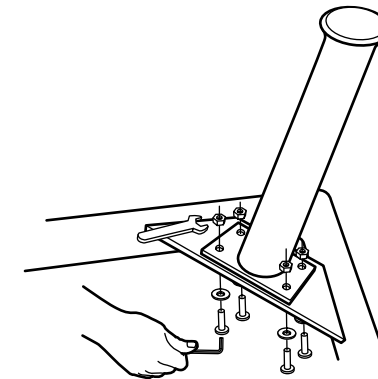


1. Carefully place the sofa body unit on a clean flat surface with the metal frame facing up.
2. Unpack hardware from the zipped storage compartment.
3. Align each of the four legs onto the designated plates on the frame in the correct orientation as shown below.

PARTS AND HARDWARE STORAGE COMPARTMENT



4. Screw in four bolts and a washer for each leg with the Allen key and secure nuts using the provided mini spanner.



5. Finally, carefully lift and turn assembled unit onto its legs.