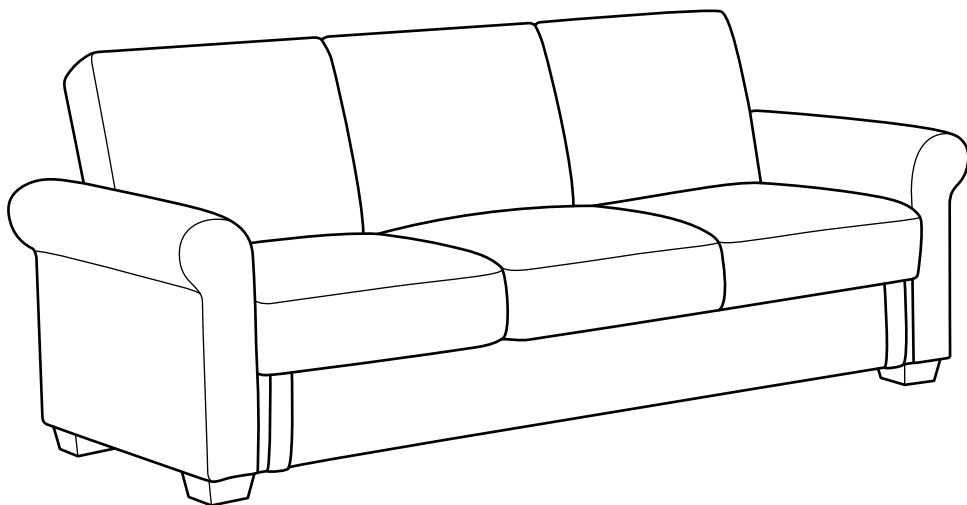




Dream Convertibles

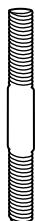
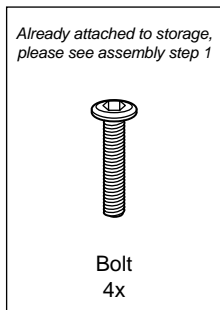


THOMAS

ASSEMBLY INSTRUCTIONS

PARTS AND HARDWARE

Avoid using sharp objects such as a knife to cut open packing as you may accidentally damage the upholstery.



Threaded Rod
8x



Washer
8x



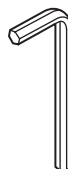
Nut A
8x



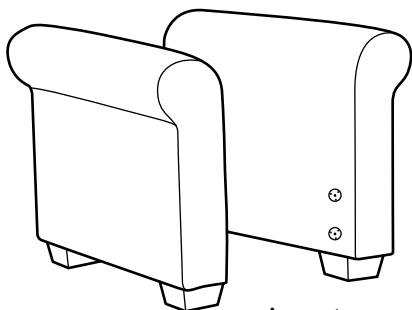
Nut B
2x



Plastic Cap
8x



Allen Key
1x



Armrest
1 Pair



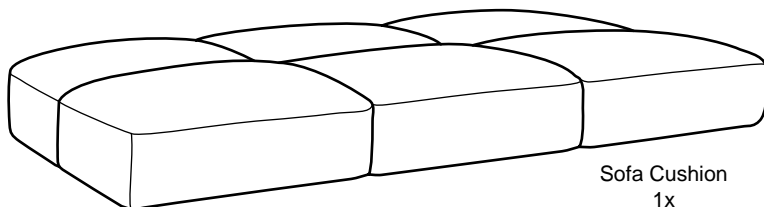
Metal Bar
2x



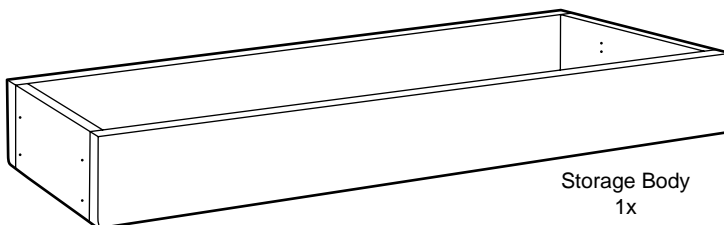
Large Spanner
x1



Small Spanner
x1



Sofa Cushion
1x



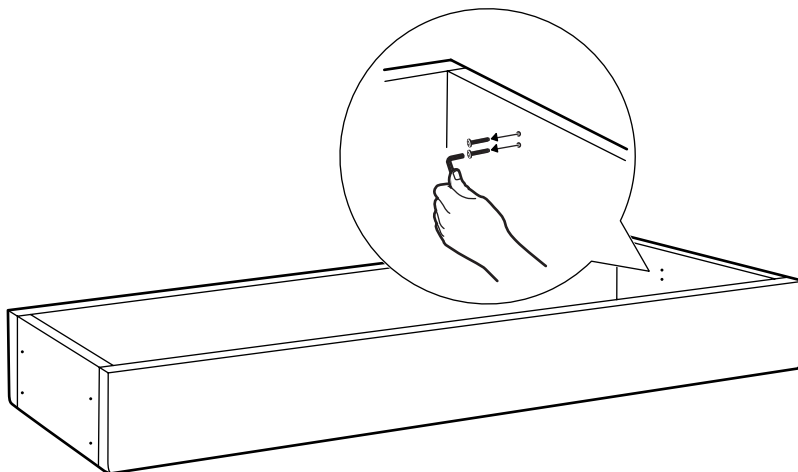
Storage Body
1x

ASSEMBLY INSTRUCTIONS

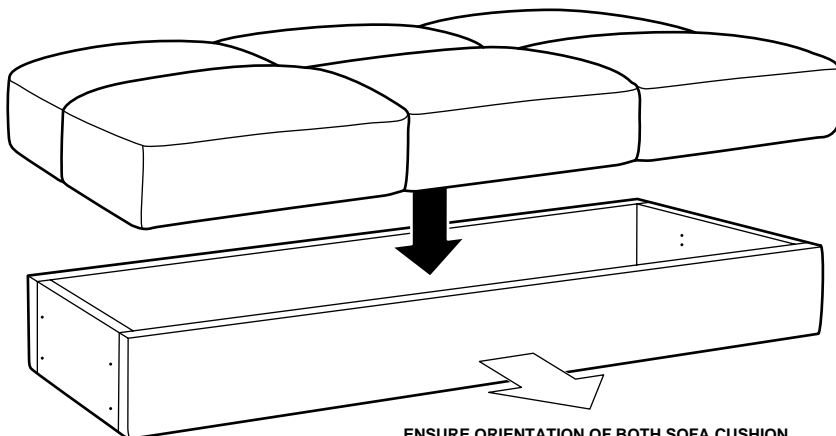
CAUTION: *At least two adults are required to safely complete performing this task. Other lifting attempts may risk back injury due to large and heavy part(s).*



- 1** Lay storage body unit on a clean flat surface cleared for assembly. Temporary remove fitted bolts from pre-drilled holes on both sides of the storage body unit.



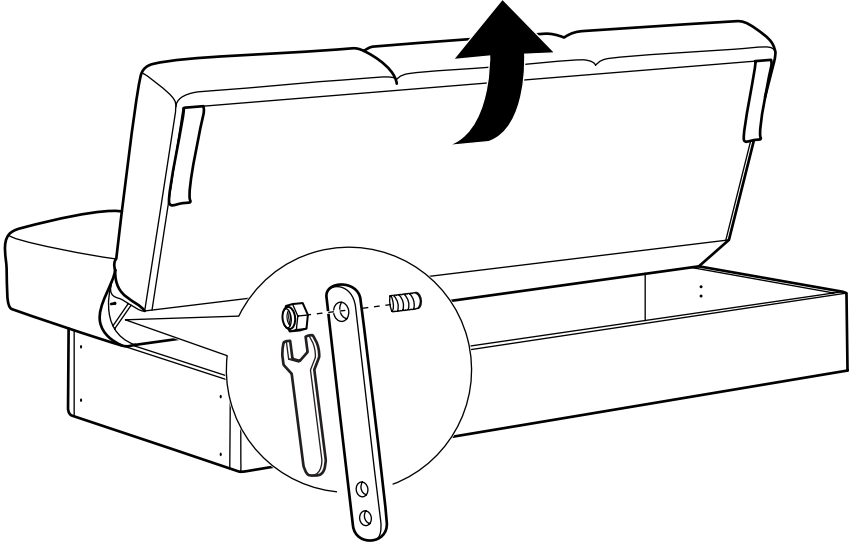
- 2** Carefully align sofa cushion on top of storage body unit.



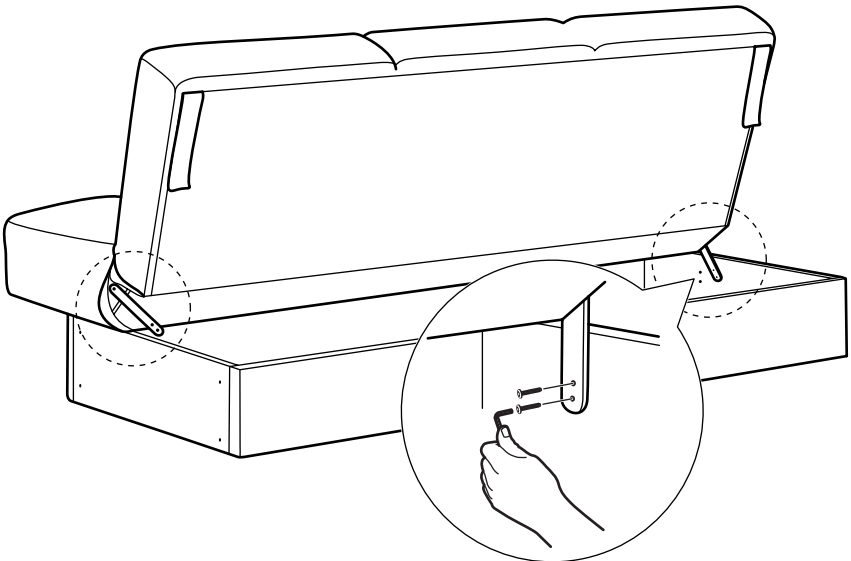
**ENSURE ORIENTATION OF BOTH SOFA CUSHION
AND STORAGE BODY ARE AS SHOWN**

3 Simply lift the sofa seat cushion up from the front. Locate the exposed fix threaded rod inside the wrinkle.

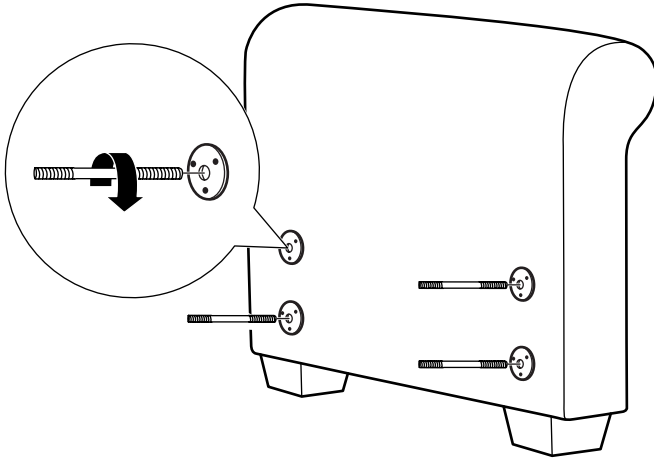
Connect metal bar into exposed fix threaded rod as shown below and secure with nut (B) using the large spanner. Do not tighten completely yet.



4 Carefully align metal bar onto the pre-drilled holes inside storage body unit as shown. Secure two bolts for each metal bar back into pre-drilled holes using provided Allen key. Completely tighten all bolts and nuts.



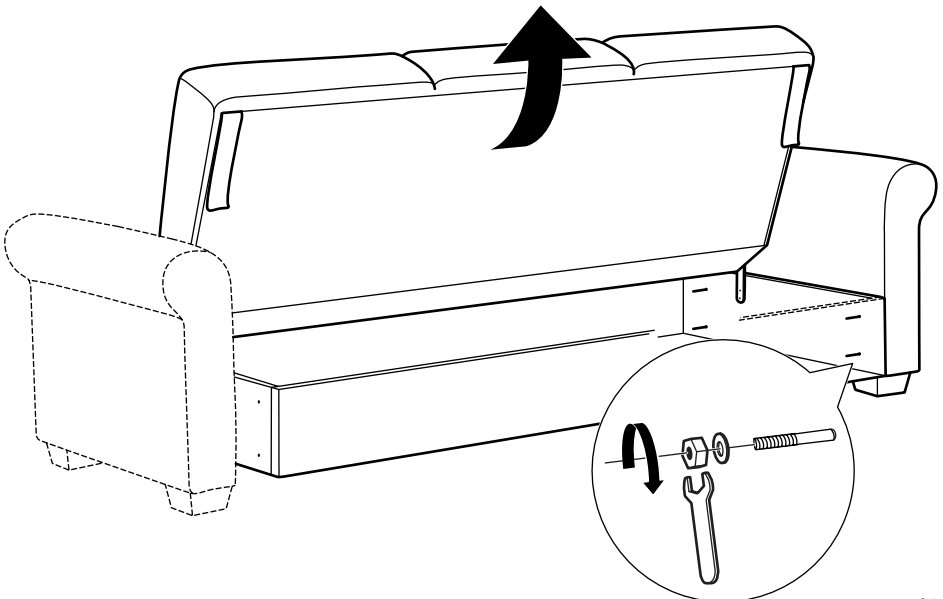
- 5** Screw in four threaded rods into metal plates on the inner side of armrest by hand until about half of the thread is exposed. Repeat steps for other armrest.



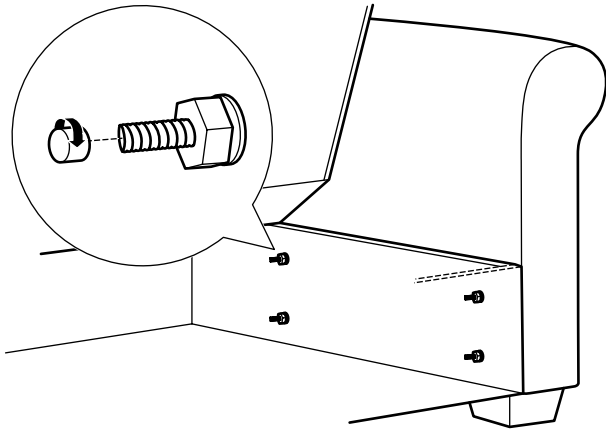
- 6** Locate pre-drilled holes on the side of sofa body and match the orientation with the correct armrest.

Now, carefully join armrest (with the four threaded rods exposed) with sofa body by aligning and going through the four pre-drilled holes at the side of sofa body.

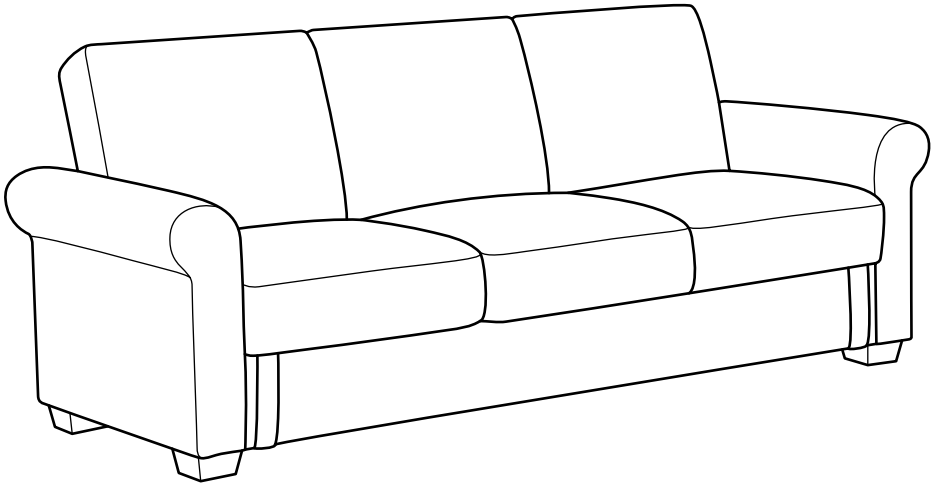
Secure all four threaded bolts with washers and nuts (A) from inside with small spanner, making sure there is no movement.



7 Use the plastic cap to conceal expose threaded rod.



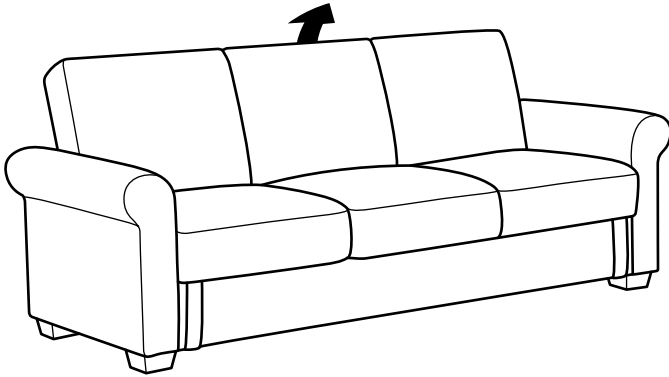
8 Repeat step for other armrest, ensuring both are fully secured.



OPERATING YOUR UNIT

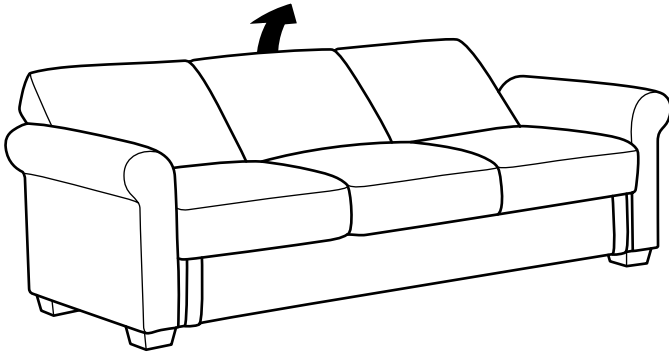
Converting to Sofa

Standing at the side of the unit (from bed position), lift backrest to the desired position and secure in place by releasing to the sound of a click.



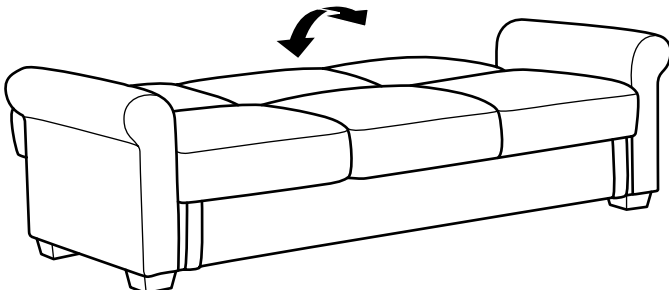
Converting to Lounger

In bed position, lift backrest upwards with each click sound until the desired lounge position is reached.



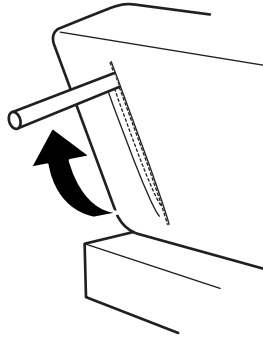
Converting to Bed

From sofa or lounge position, lift backrest all the way upwards until the last click is heard which unlocks the mechanism and carefully return to a flat position.



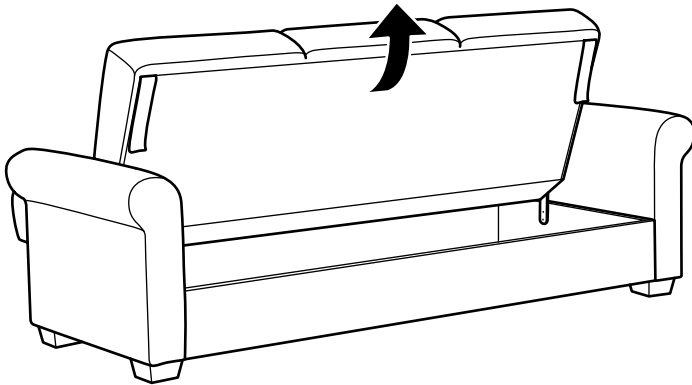
IMPORTANT

Ensure that the support legs are extended out (behind the backrest) when using it as a bed.



Accessing Storage Compartment

Simply lift the sofa seat cushion up from the front. Keep closed at all times.



When not using storage compartment, secure safety strap with velcro to sofa base.

