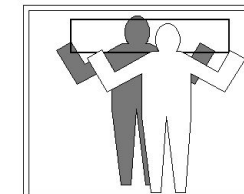
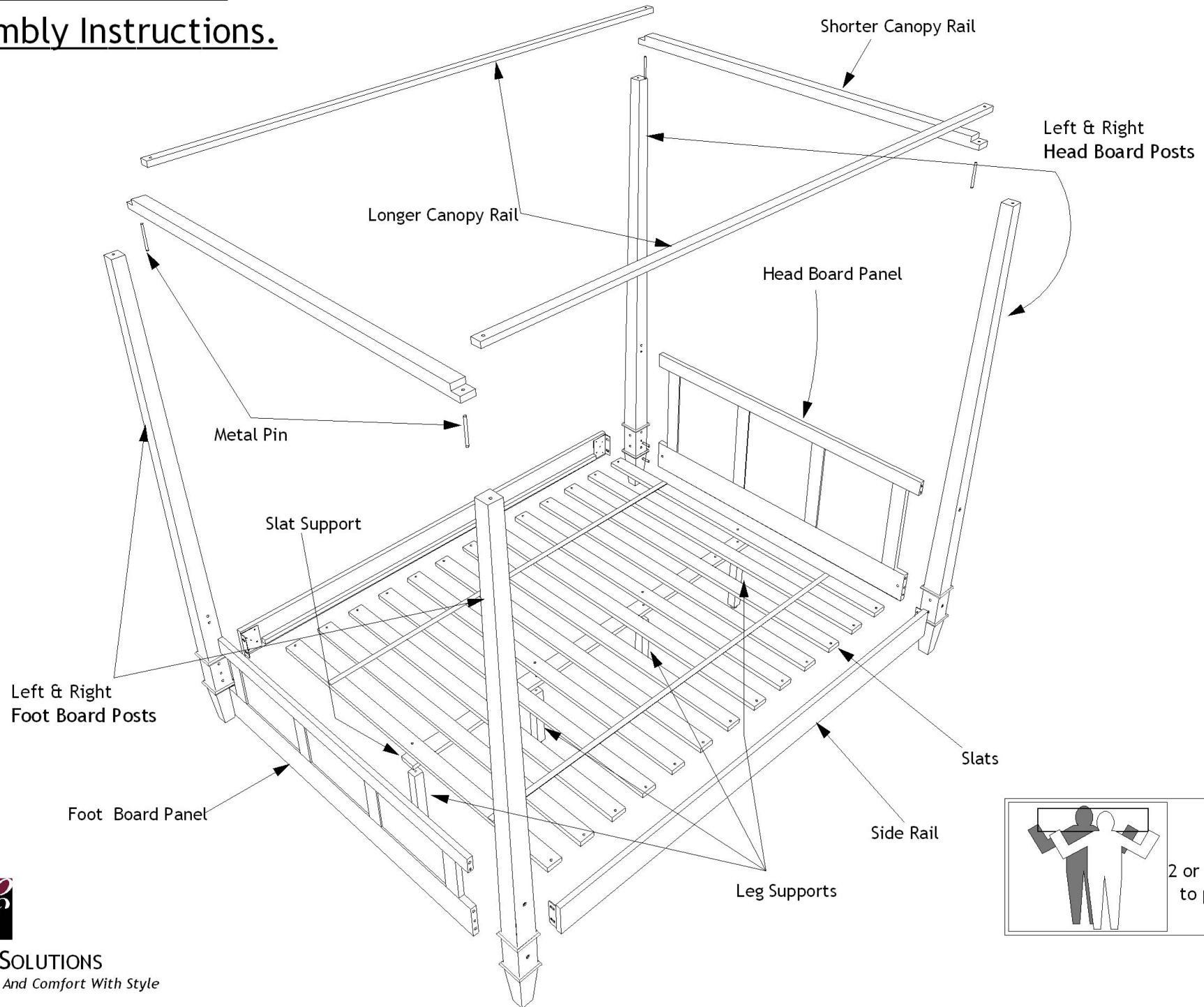


# WILSHIRE BED

## Bed Assembly Instructions.



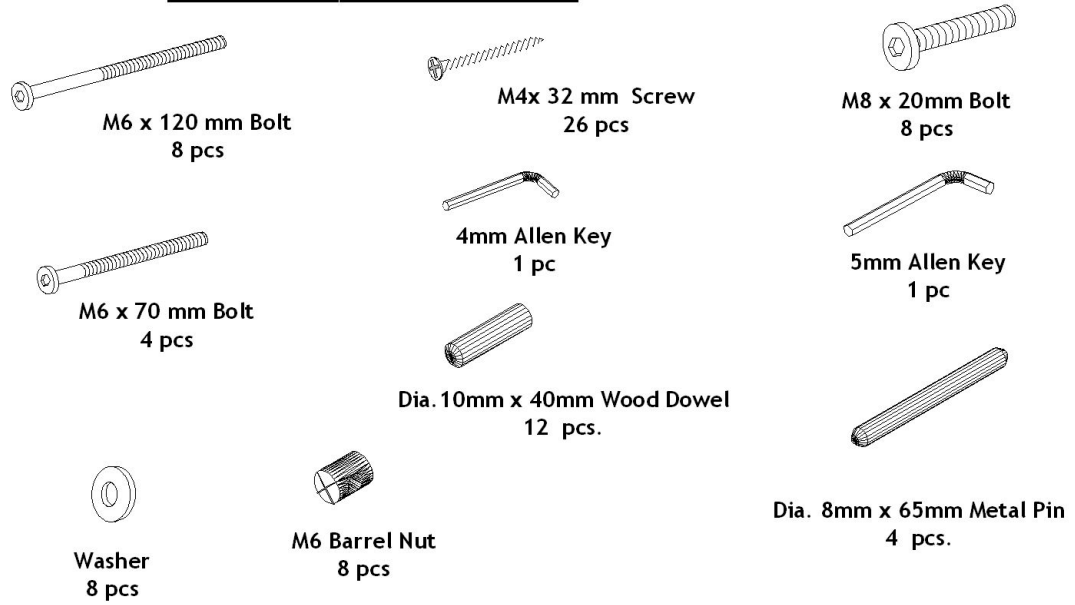
**HEAVY WORK !!**  
2 or more people required  
to perform this exercise



LIFESTYLE SOLUTIONS

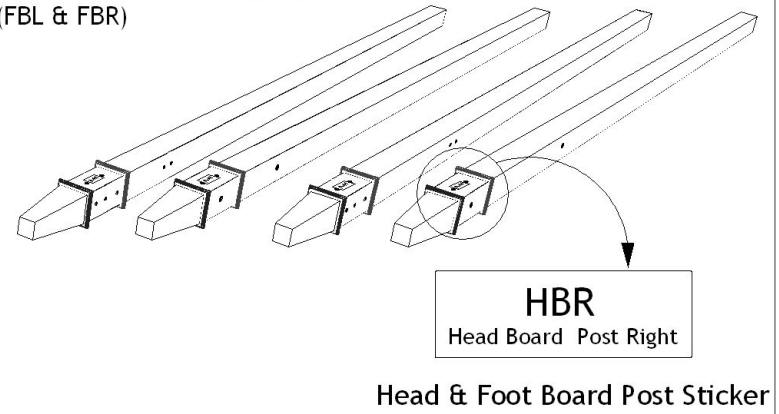
*The Fusion Of Function And Comfort With Style*

**Hardware Pack In Box # 3**



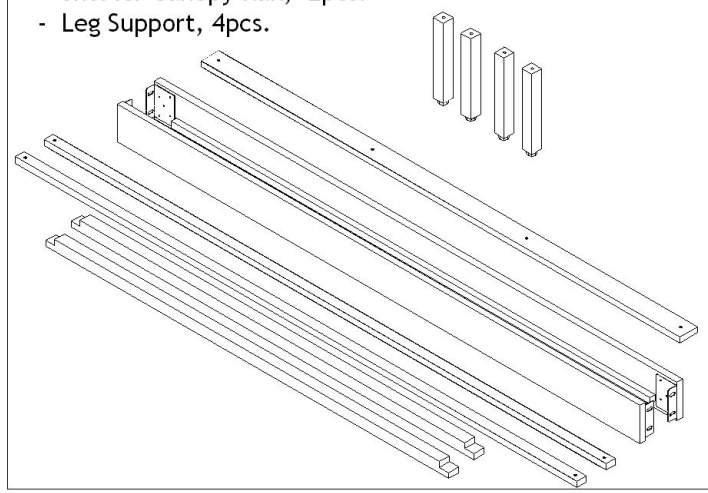
**Parts (box # 1)**

- Head Board Post Left & Right , 2 pcs. (HBL & HBR)
- Foot Board Post Left & Right , 2 pcs. (FBL & FBR)



**Parts (box # 3)**

- Side Rail, 2 pcs.
- Slat Support, 1 pc.
- Longer Canopy Rail, 2pcs.
- Shorter Canopy Rail, 2pcs.
- Leg Support, 4pcs.



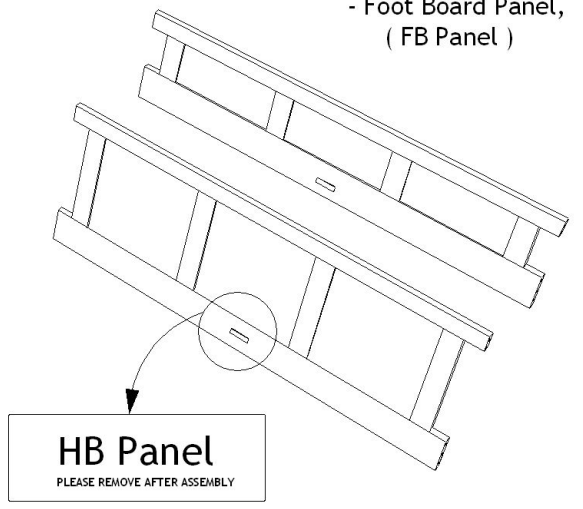
**Parts (Slats Box)**

- Slat with center hole, 4 pcs.
- Slat without center hole, 9 pcs.



**Parts (box # 2)**

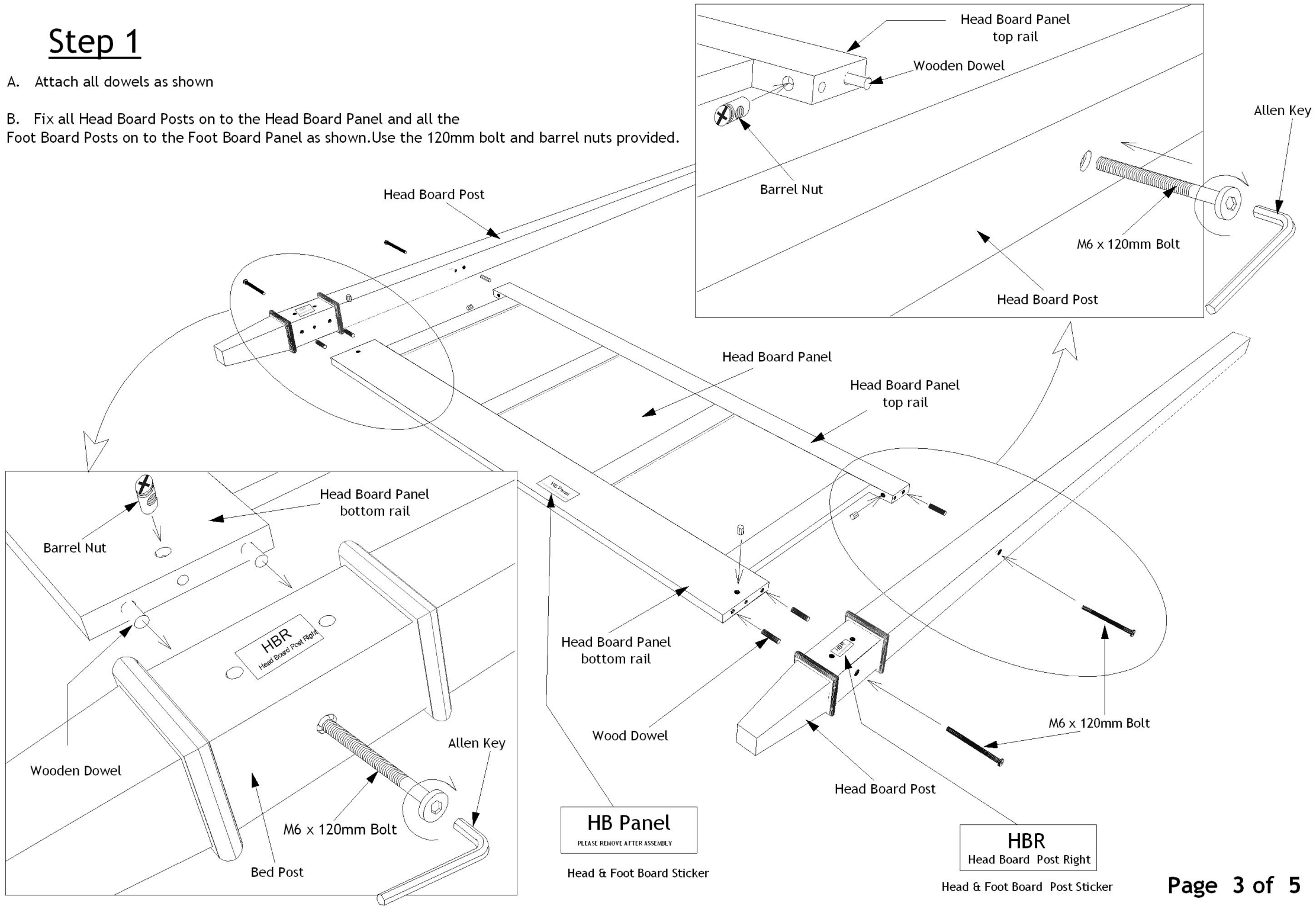
- Head Board Panel, 1 pc. (HB Panel)
- Foot Board Panel, 1 pc. (FB Panel)



# Step 1

A. Attach all dowels as shown

B. Fix all Head Board Posts on to the Head Board Panel and all the Foot Board Posts on to the Foot Board Panel as shown. Use the 120mm bolt and barrel nuts provided.



# Bed Assembly Instructions

# WILSHIRE BED



LIFESTYLE SOLUTIONS

*The Fusion Of Function And Comfort With Style*

Page 4 of 5

## Step 2/Diagram 1

Fix both Side Rails to the Head Board and Foot Board as shown in diagram 1 with the 20mm bolts and washers.

## Step 3/Diagram 2

Further secure the pre-drilled slats to the slats support and support legs with 4nos M6 x 70mm bolt as shown in diagram 2.

## Step 4/Diagram 3

Place both ends of the assembled slats into the bed frame resting on side rails and screw them in place with the 32mm screws provided as shown in diagram 4.

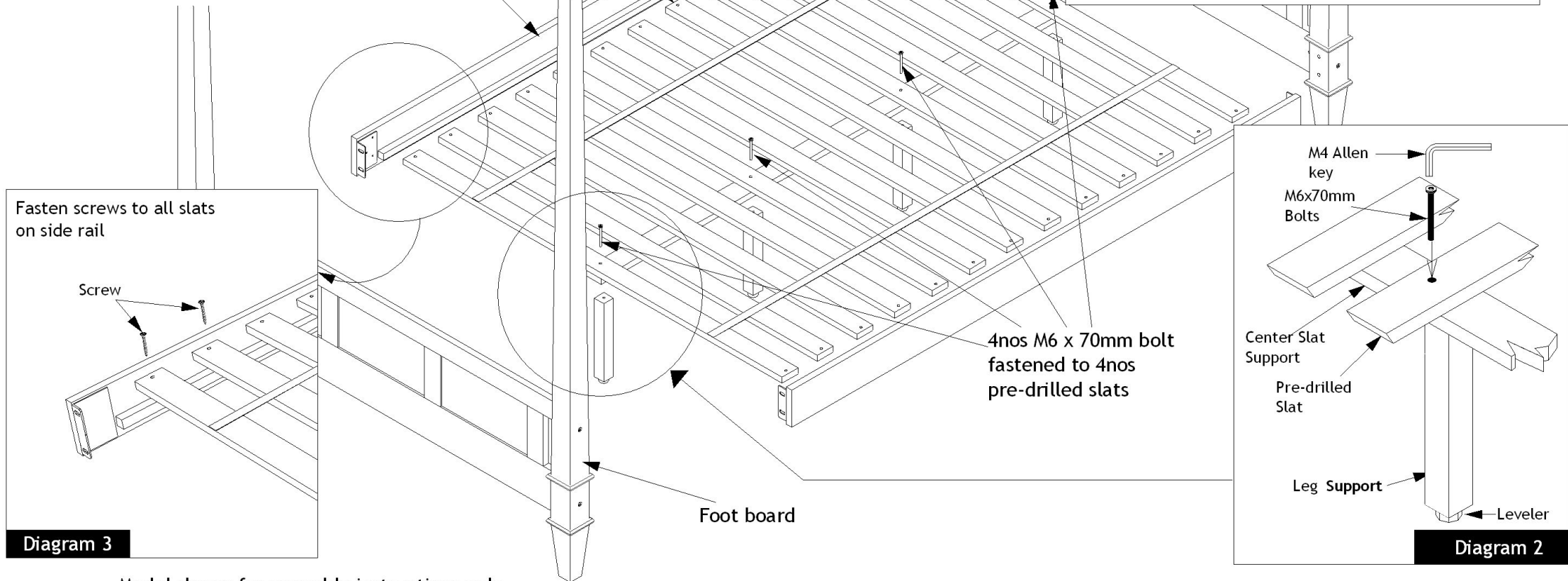


Diagram 3

Diagram 2

Model shown for assembly instructions only



# Bed Assembly Instructions

# WILSHIRE BED

## Step 5/Diagram 4

Attach the metal pin onto hole on top of Head Board Post and Foot Board Post.  
Attach the shorter canopy rail on top of Head Board Post and Foot Board Post first,  
then attach the longer canopy rails as shown.

