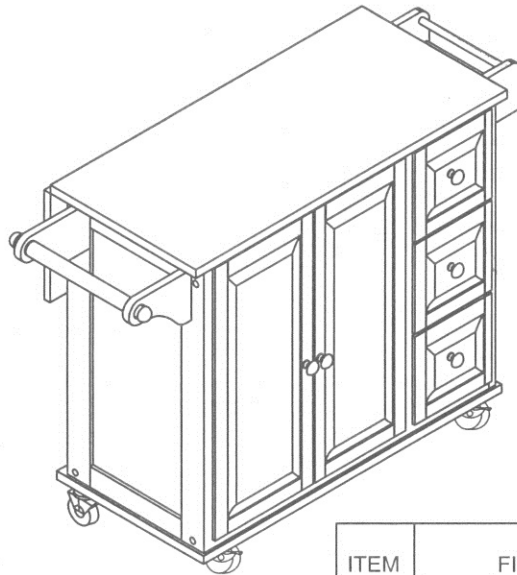


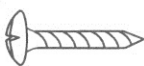
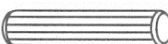
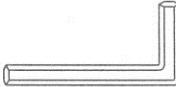
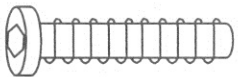

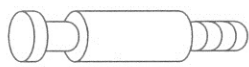

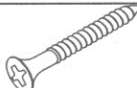




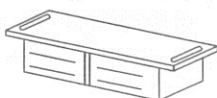

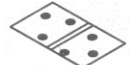


ASSEMBLY INSTRUCTIONS



HARDWARE LIST:

ITEM	FIGURE	DESCRIPTION	QTY
A		Castor with Brake Ø3"	2PCS
B		Castor without Brake Ø3"	2PCS
C		Screw Ø5/32"x5/8"	16PCS
D		Dowel Ø5/16"x1-3/8"	44PCS
E		Allen wrench Ø5/32"x2"	1PC
F		Bolt Ø1/4"x1-1/8"	10PCS
G		Screw Ø3/16"x1-1/2"	18PCS

ITEM	FIGURE	DESCRIPTION	QTY
H		Camlock Bolt Ø1/4"x1-3/8"	8PCS
I		Camlock Ø5/8"x1/2"	8PCS
J		Screw Ø5/32"x1-1/8"	24PCS
K		Screw Ø1/8"x5/8"	20PCS
L		Shelf Clip 3/4"x1/2"	4PCS
M		Handle 1"x3/4"	5PCS
N		Handle Bolt 5/32"x5/8"	5PCS
O		Magnetic Catch 2-3/4"x1/2"	1PC
P		Plug Ø1/2"x1/2"	8PCS
Q		Hinge Ø3"x2"	3PCS

ASSEMBLY INSTRUCTIONS

PART LIST--Box A :

ITEM	FIGURE	DESCRIPTION	QTY
1		Bottom panel (1058x401x18mm)	1PC
3		Back Left Post (664x50x20mm)	1PC
4		Front Center rail (311x40x20mm)	2PCS
5		Front Top rail (999x30x20mm)	1PC
7		Small Top Panel (1100x280x22mm)	1PC
8		Back Right Post (664x50x20mm)	1PC
9		Back Top Rail (999x70x20mm)	1PC
13		Big Top Panel (999x457x22mm)	1PC
14		Towel Rack Support (165x118x18mm)	2PCS

ITEM	FIGURE	DESCRIPTION	QTY
17		Spice Rack Left Side Panel (153x118x18mm)	1PC
18		Spice Rack Right Side Panel (153x118x18mm)	1PC
19		Spice Rack Bar (Ø17x324mm)	1PC
20		Drawer Back Panel (262x180x12mm)	3PCS
21		Drawer Front Panel (329x226x27mm)	3PCS
25		Shelf (676x336x12mm)	1PC
28		Top Support (330x40x25mm)	2PCS
29		Front Bottom Rail (999x40x20mm)	1PC
30		Back Bottom Rail (999x40x20mm)	1PC

PART LIST--Box B:

ITEM	FIGURE	DESCRIPTION	QTY
2		Front Post (704x40x20mm)	1PC
6		Center Panel (704x336x12mm)	1PC
10		Back Panel (675x309x3mm)	3PCS
11		Left End Panel (774x378x18mm)	1PC
12		Right End Panel (774x378x18mm)	1PC
15		Towel Rod (Ø30x382mm)	1PC
16		Spice Rack Bottom Panel (316x90x9mm)	1PC

ITEM	FIGURE	DESCRIPTION	QTY
22		Drawer Left Side Panel (325x180x12mm)	3PCS
23		Drawer Right Side Panel (325x180x12mm)	3PCS
24		Drawer Bottom Panel (312x273x3mm)	3PCS
26		Left Door (718x329x15mm)	1PC
27		Right Door (718x329x15mm)	1PC

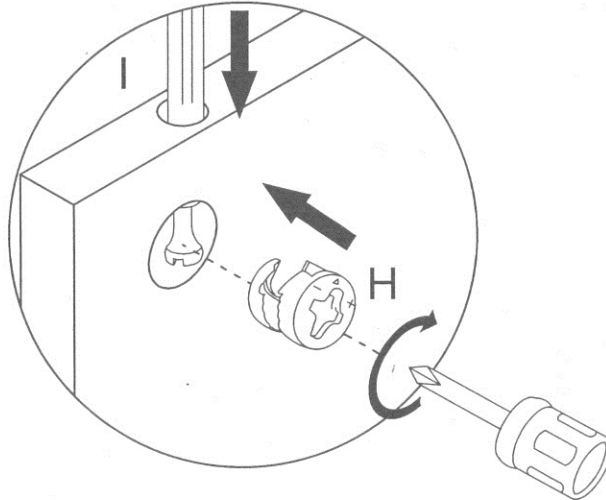
ASSEMBLY INSTRUCTIONS

PAGE 3/8

- * Before discarding packing material, please check all parts and hardware are present
- * Tools recommended for assembly: allen wrench (included), rubber mallet & screw driver (not included)
- * It's required at least two persons to assemble this product
- * Don't tighten screws or bolts unless instructed
- * After few days of initial assembly, the product may have acclimated to new environment, please tighten all hardware again

* Camlock system installation procedure

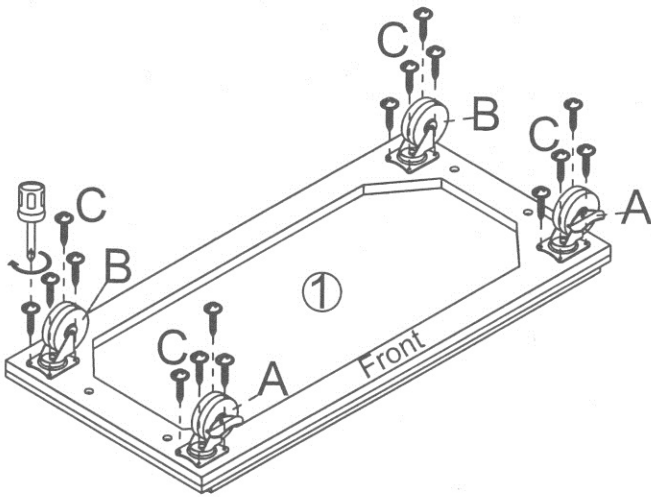
Adjust the arrow on the lock pointing to the bolt hole, let the opening of the lock accept the bolt's head; use screw driver to tighten the lock clockwise, or anticlockwise way to loosen the cam lock.



ASSEMBLY INSTRUCTIONS

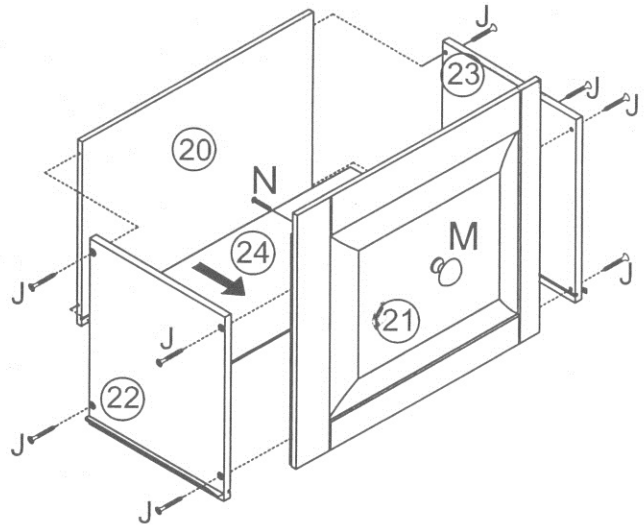
PAGE 4/8

STEP 1



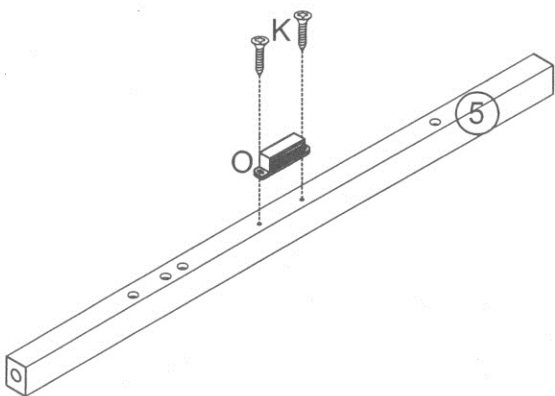
Install the Castor (A & B) to the bottom of the Bottom Panel (1), by using Screw (C)

STEP 2



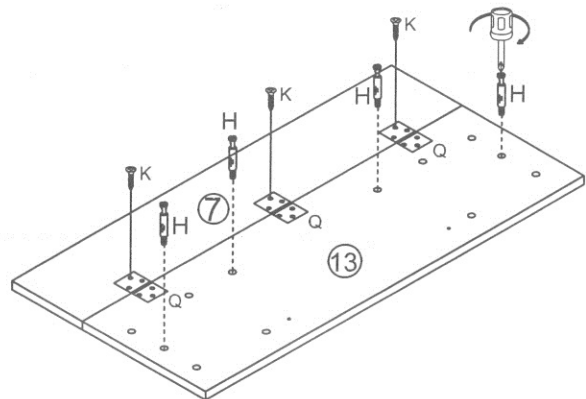
Assemble the Drawer Front (21), Drawer Back (20), Drawer Sides (22 & 23) and Drawer Bottom (24) together by using screw (J). Install the Handle (M) to the Drawer Front (21) by using Handle Bolt (N)
Repeat to assemble another two drawers

STEP 3



Install the Magnetic Catch (O) to the Front Top Rail (5) by using Screw (K)

STEP 4

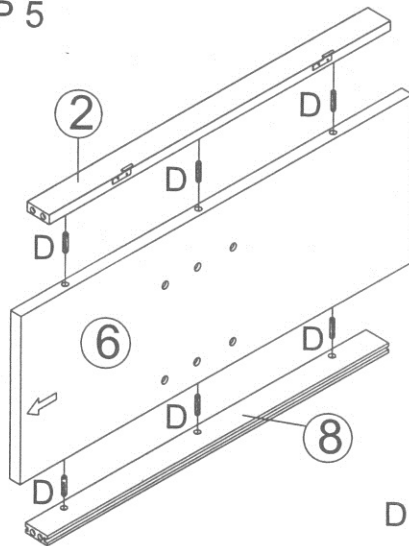


Assemble the Big Top Panel (13) and the Small Top Panel (7) by using Hinge (Q) and Screw (K), install the Camlock Bolt (H) to the Top Panel (13)

ASSEMBLY INSTRUCTIONS

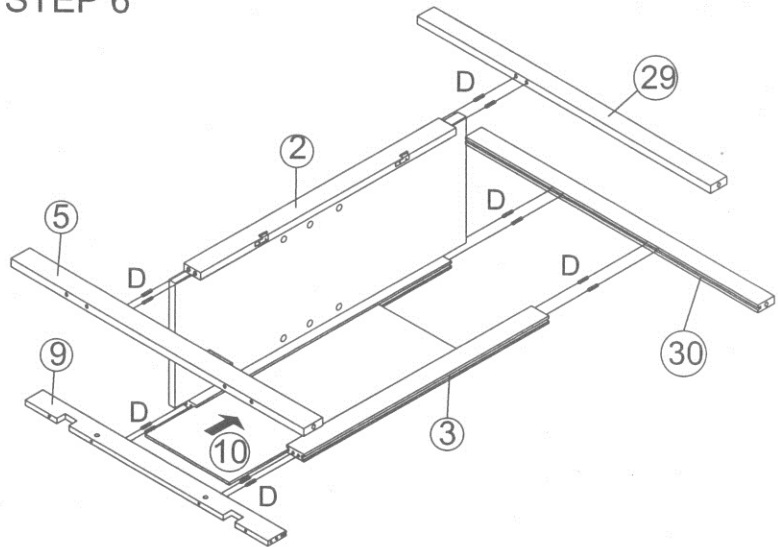
PAGE 5/8

STEP 5



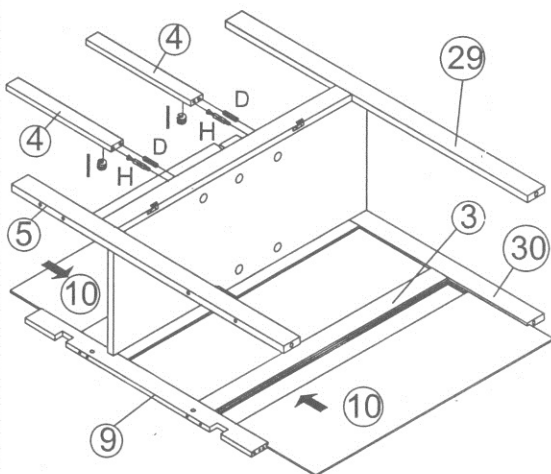
Assemble the Front Post (2) and the Back Right Post (8) to the Center Panel (6) by using Dowel (D)

STEP 6



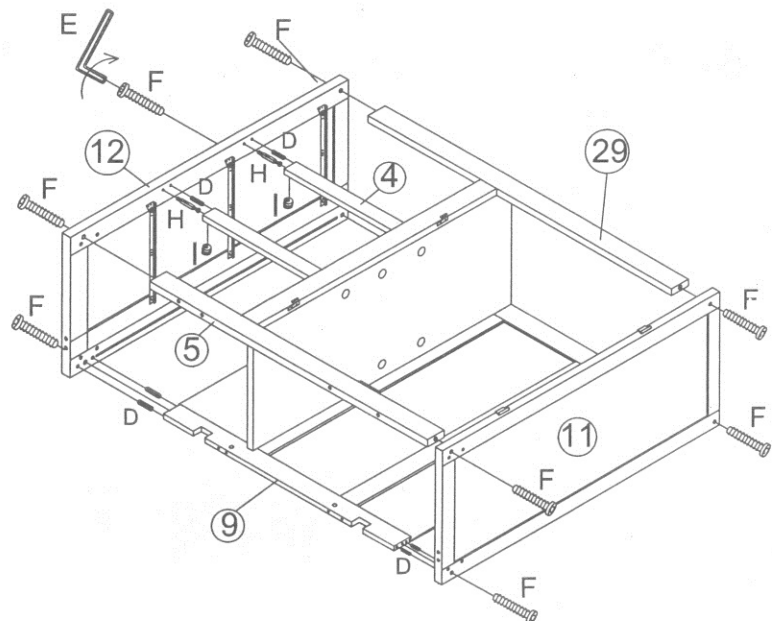
Assemble the unit from STEP 5, the Back Left Post (3), the Back Panel (10), the Top Rails (5 & 9) and the Bottom Rails (29 & 30) together by using Dowel (D)

STEP 7



Attach the Front Center Rails (4) and the Back Panel (10) to the unit from STEP 6 by using Dowel (D) and Camlock (H & I).

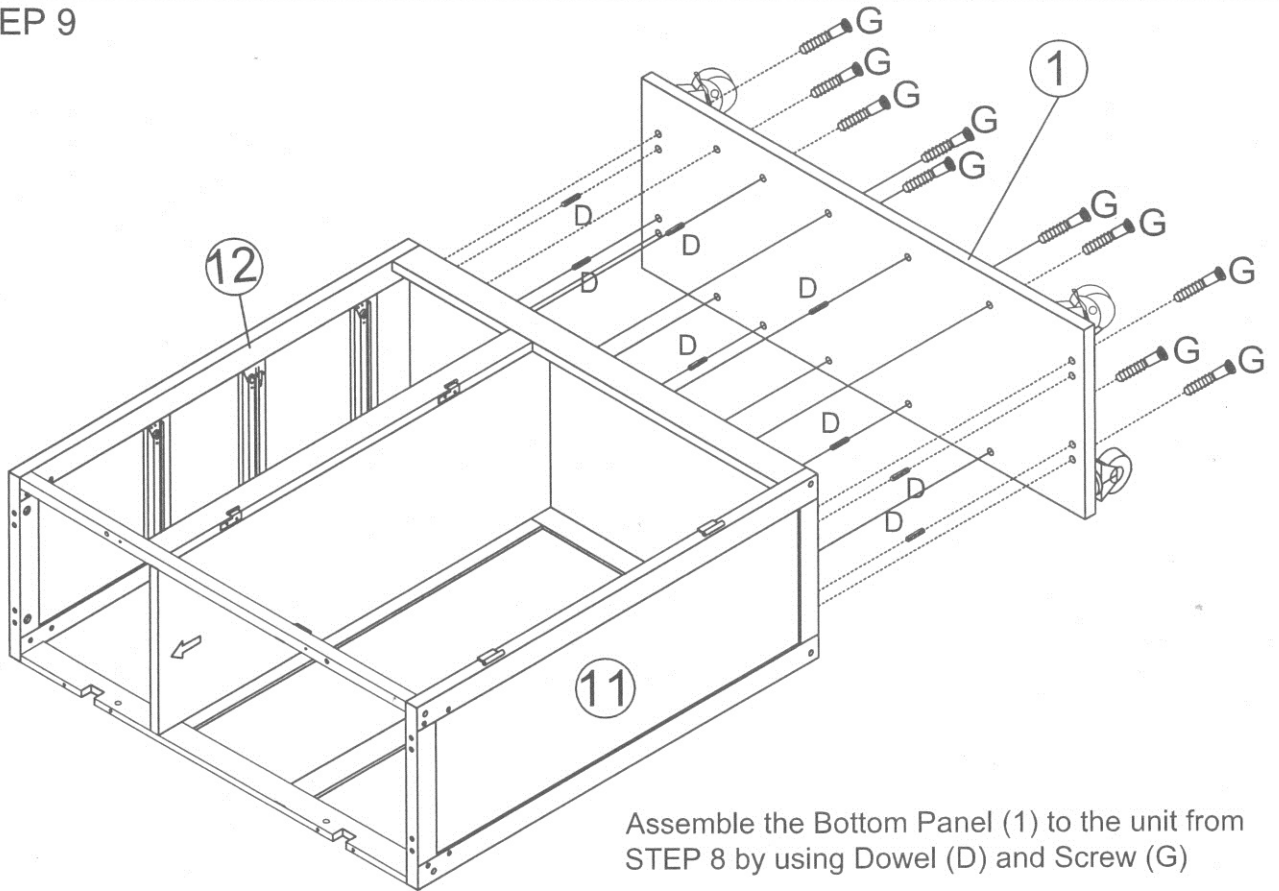
STEP 8



Attach the Left End Panel (11) and the Right End Panel (12) to the unit from STEP 7 by using Dowel (D), Bolt (F) and the Allen Wrench (E)

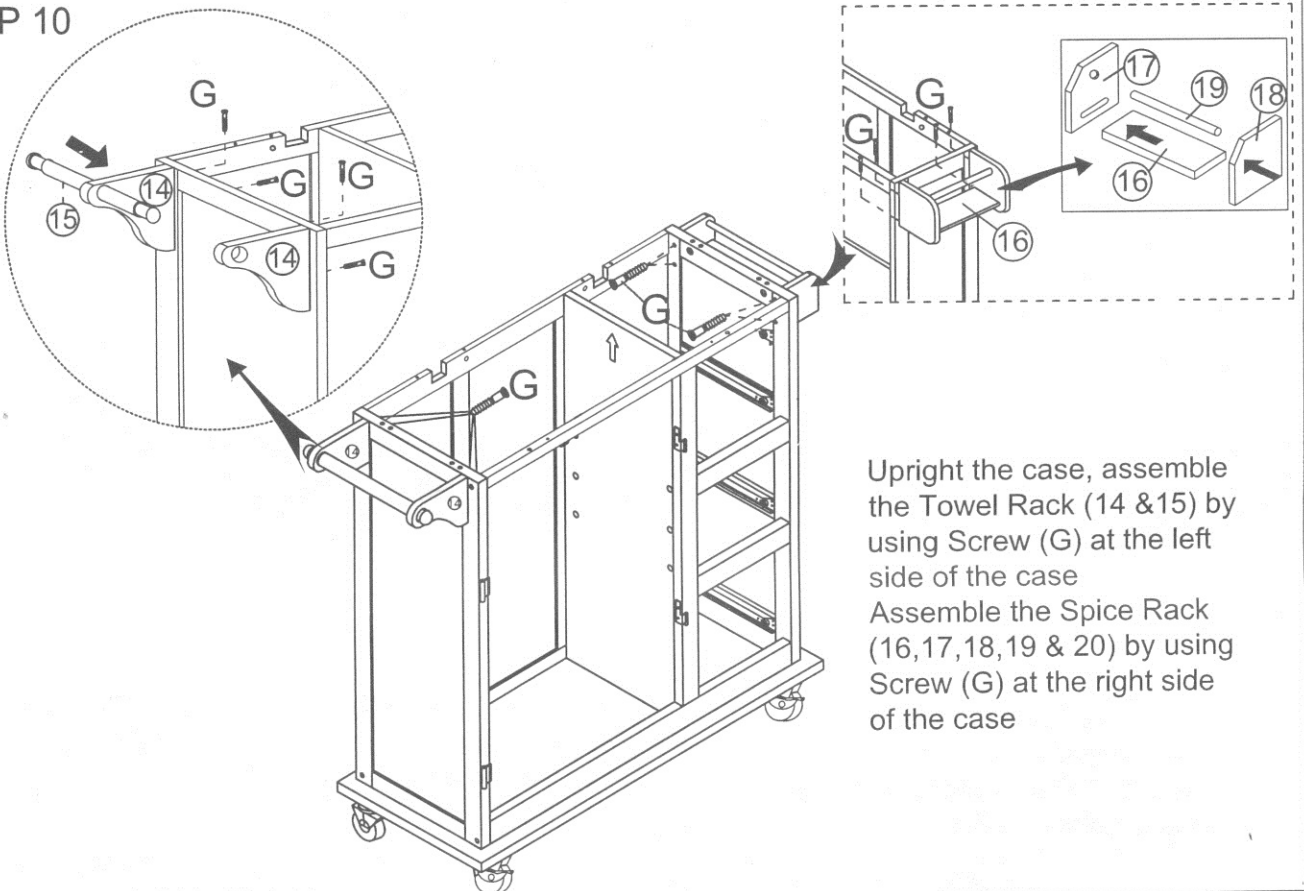
ASSEMBLY INSTRUCTIONS

STEP 9



Assemble the Bottom Panel (1) to the unit from STEP 8 by using Dowel (D) and Screw (G)

STEP 10



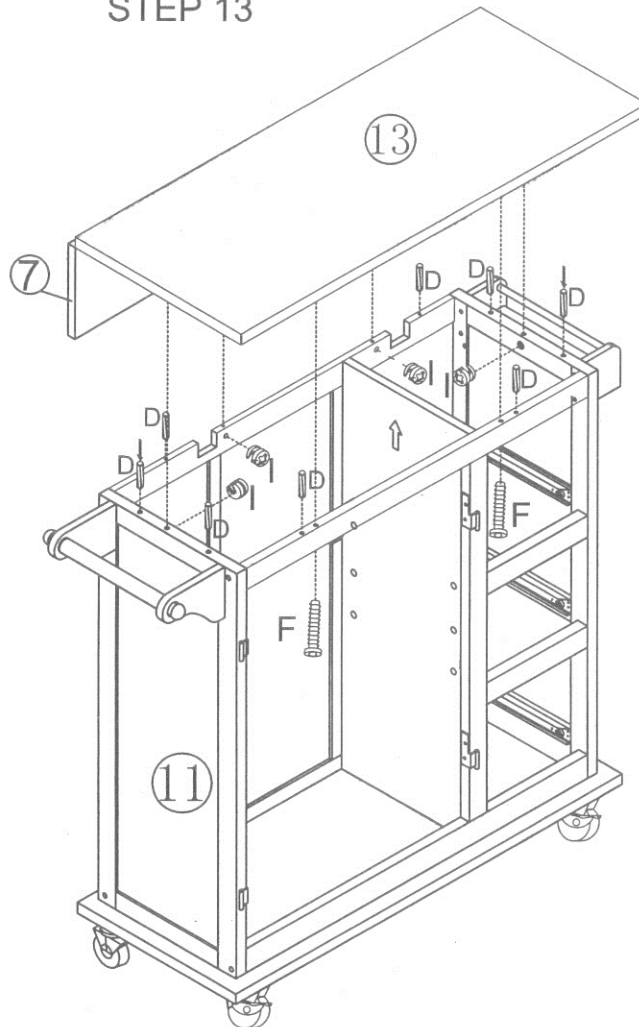
Upright the case, assemble the Towel Rack (14 & 15) by using Screw (G) at the left side of the case
Assemble the Spice Rack (16, 17, 18, 19 & 20) by using Screw (G) at the right side of the case

ASSEMBLY INSTRUCTIONS

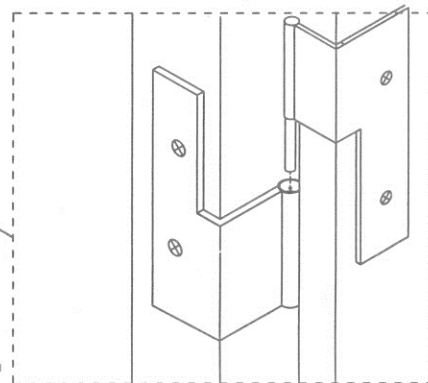
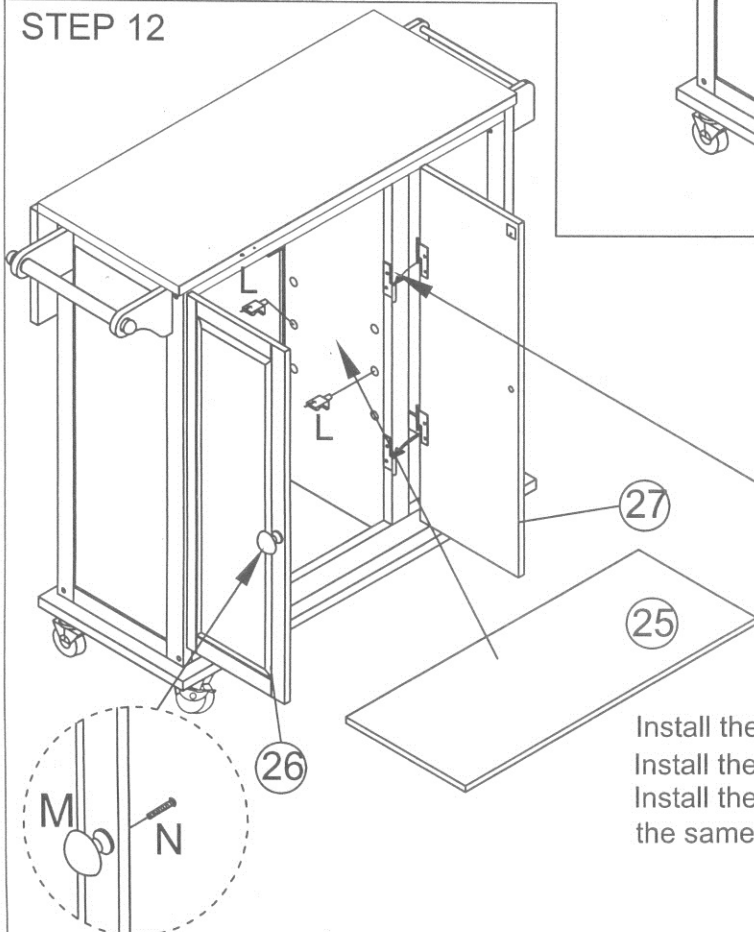
STEP 11

Assemble the Top to the case by using Dowel (D), Camlock (I) and Bolt (F)

STEP 13



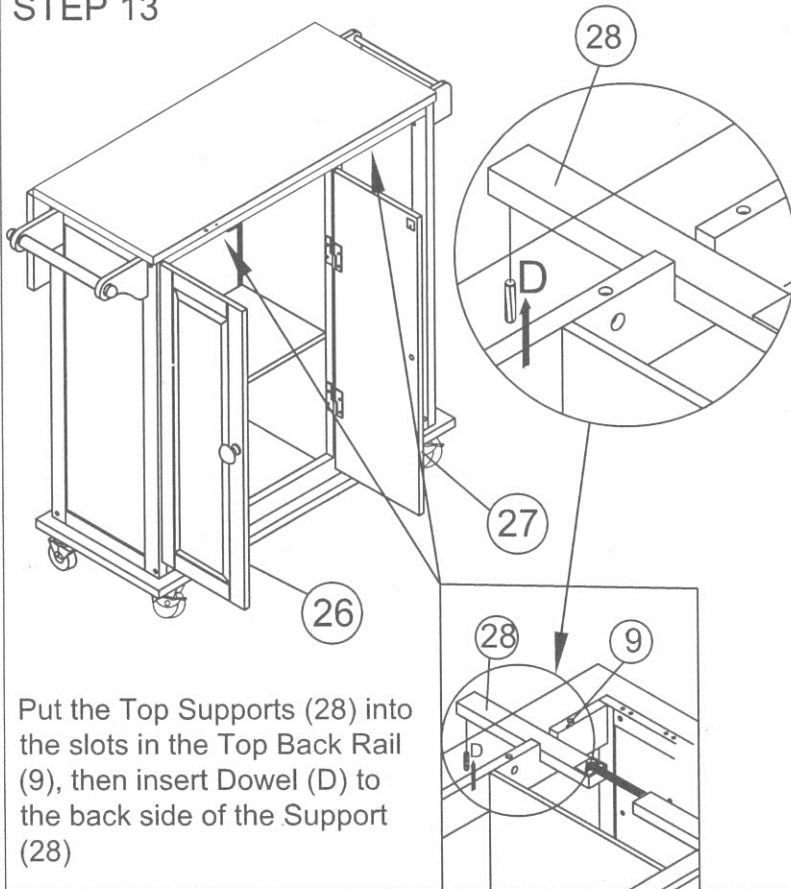
STEP 12



Install the Doors (26 & 27) to the case hinge as shown
Install the Handle (M) to the doors by using Bolt (N)
Install the Shelf Clip (L) into the holes of cabinet at the same level, then place Shelf (25) on them

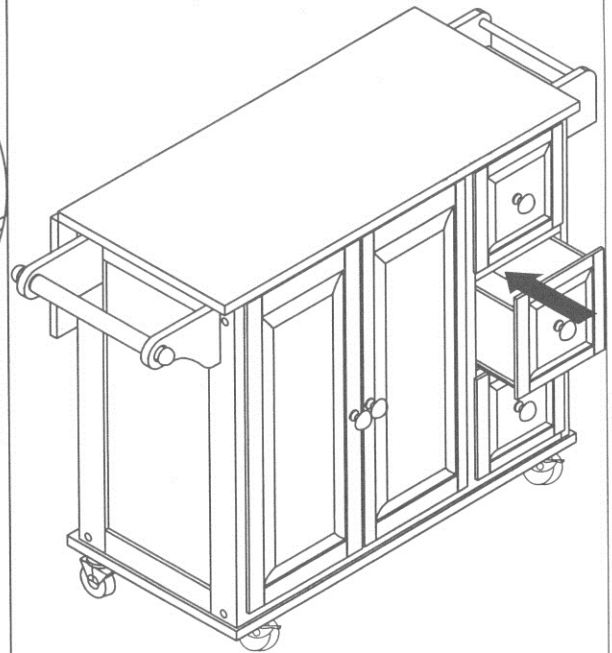
ASSEMBLY INSTRUCTIONS

STEP 13



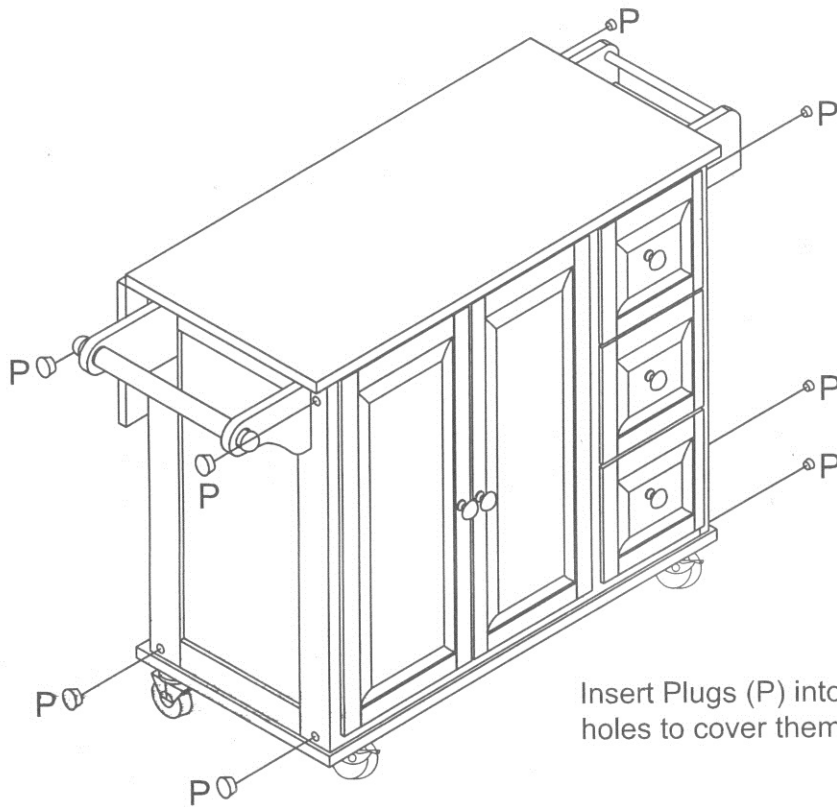
Put the Top Supports (28) into the slots in the Top Back Rail (9), then insert Dowel (D) to the back side of the Support (28)

STEP 14



Put the drawers into the case

STEP 15



Insert Plugs (P) into the screw holes to cover them.