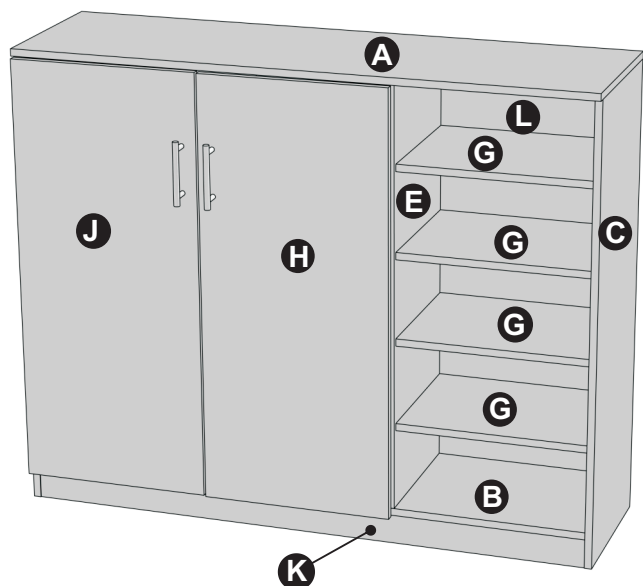


Shoes Cabinet

ASSEMBLY INSTRUCTIONS

Please keep for future reference

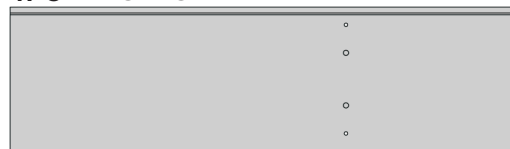
PARTS LIST



A 1PC TOP PANEL



B 1PC BOTTOM PANEL



C 1PC RIGHT SIDE PANEL



D 1PC LEFT SIDE PANEL



E 1PC CENTER PANEL



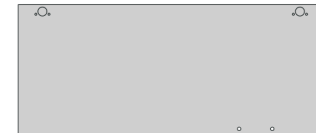
F 4PCS LARGE SHELF PANEL



G 4PCS SMALL SHELF PANEL



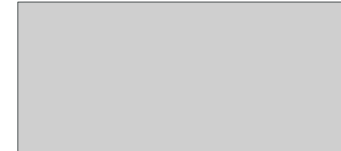
H 1PC RIGHT SIDE DOOR



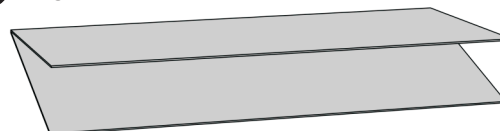
J 1PC LEFT SIDE DOOR



L 1PC SMALL BACK PANEL



M 1PC LARGE BACK PANEL



K 2PCS APRON



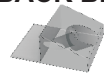
Overall size :
47.25" W x 13.7" D x 38.23 " H

HARDWARE LIST

1 24PCS WOOD DOWEL



5 8PCS BACK BRACE



9 4PCS LONG WOOD SCREW



12 32PCS SHELF SUPPER



2 10PCS CAM LOCK PIN



6 8PCS MIDDLE WOOD SCREW



10 2PCS DOOR HANDLE



13 1PC ALLEN KEY



3 10PCS CAM LOCK NUT



7 4PCS HINGE



11 6PCS FEET PIN



14 1PC GLUE



4 2PCS ALLEN WOOD BOLT



8 16PC SHORT WOOD SCREW

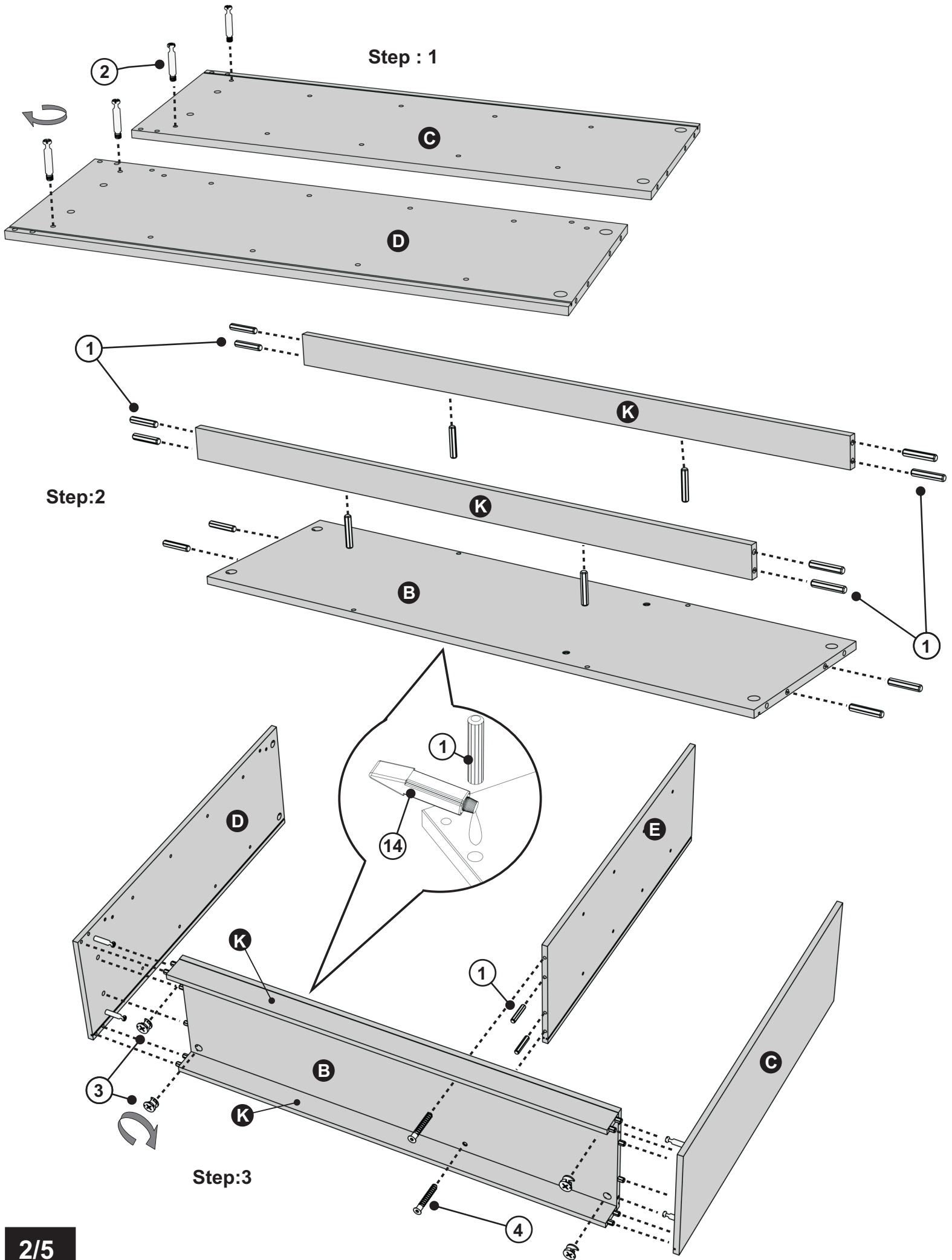


2010 06 03 - 2010 06 08

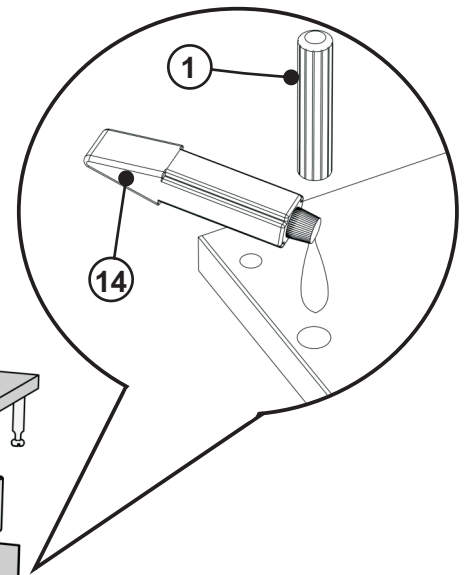
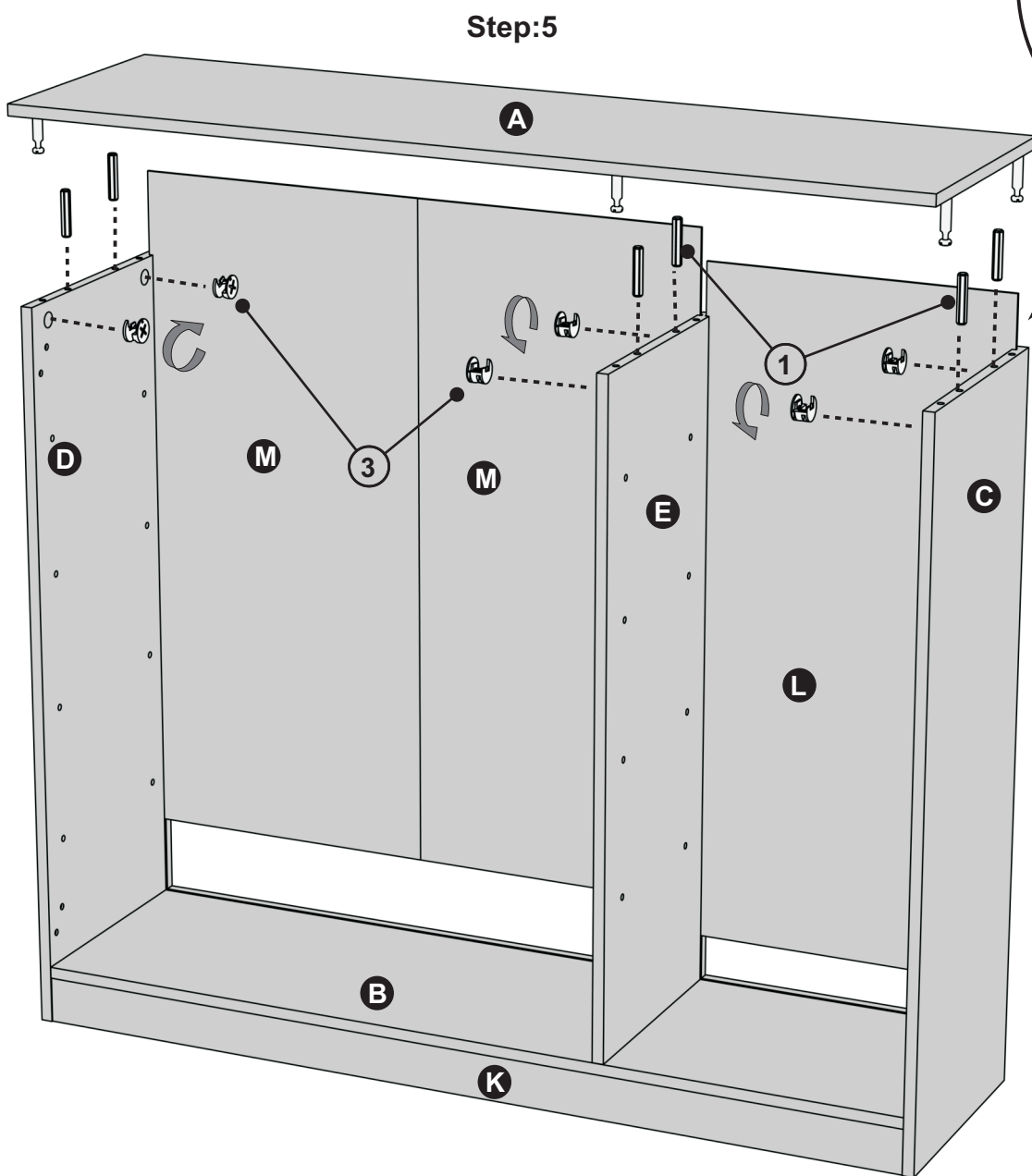
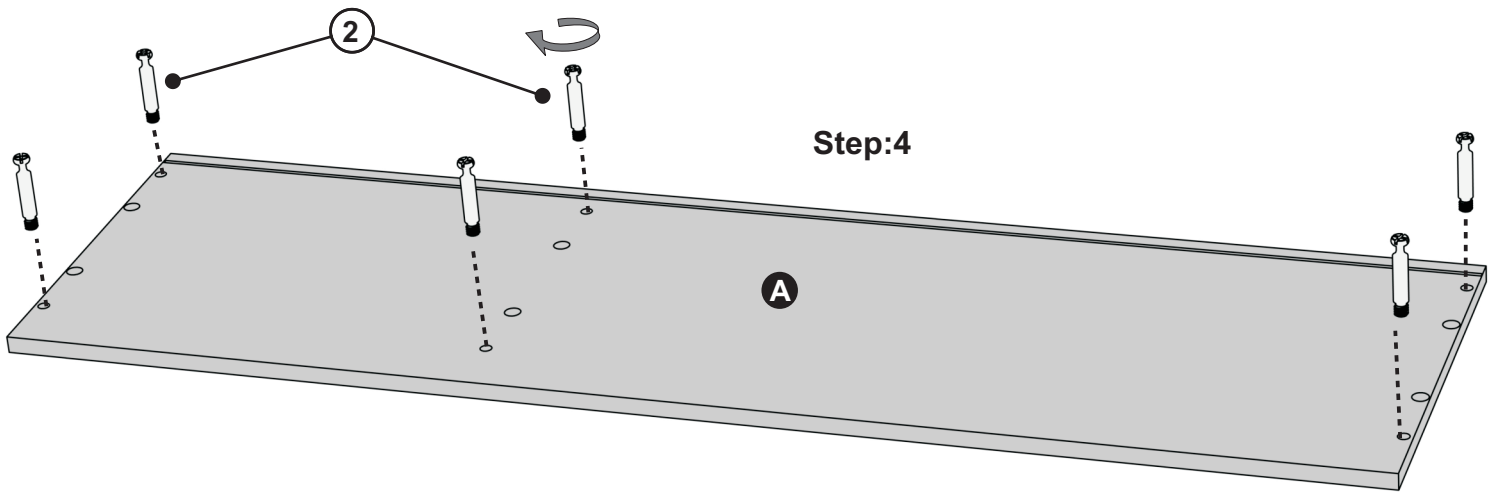
MADE IN TAIWAN

1/5

STEP : 1 ~ 3

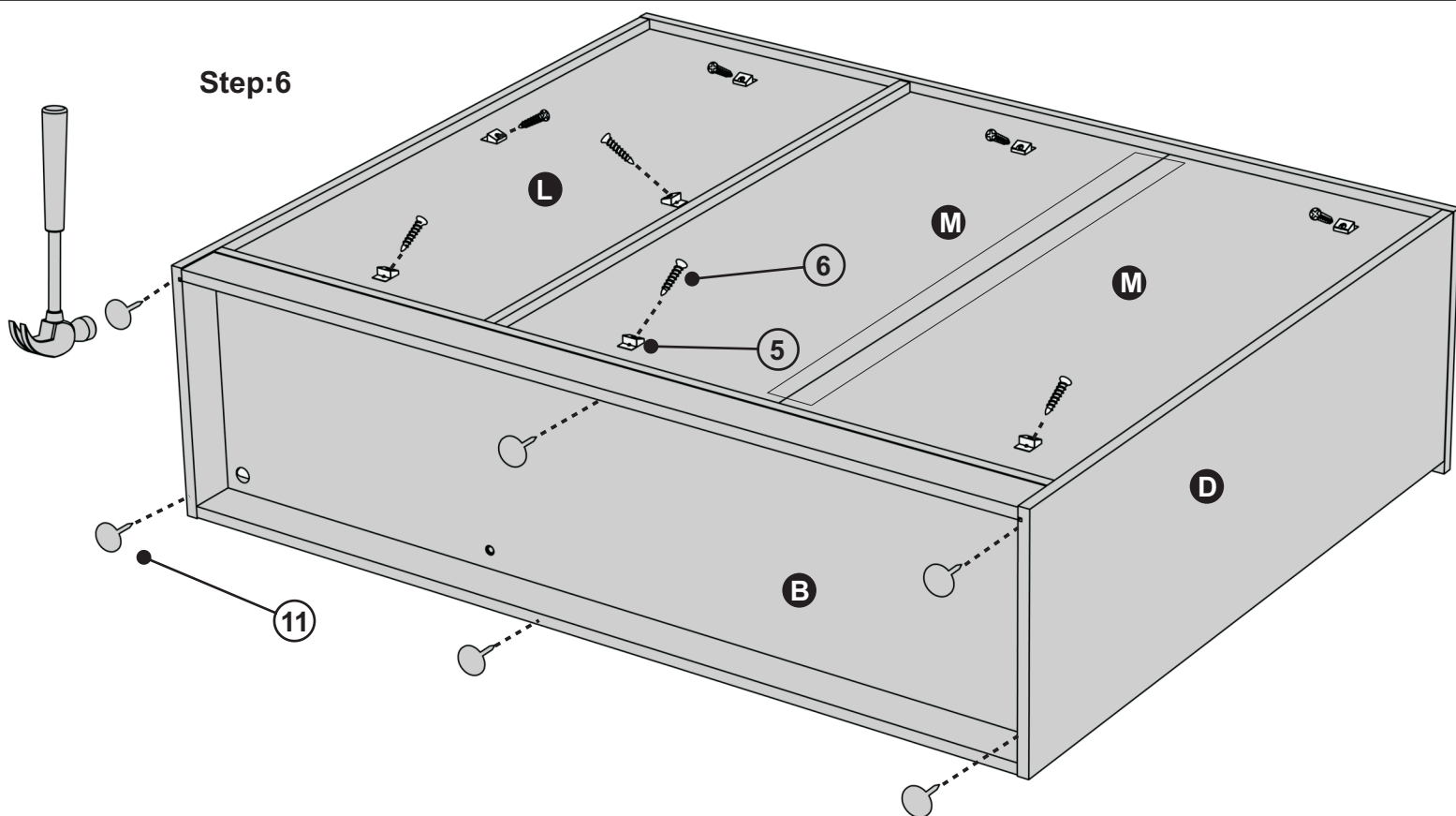


STEP : 4 and 5

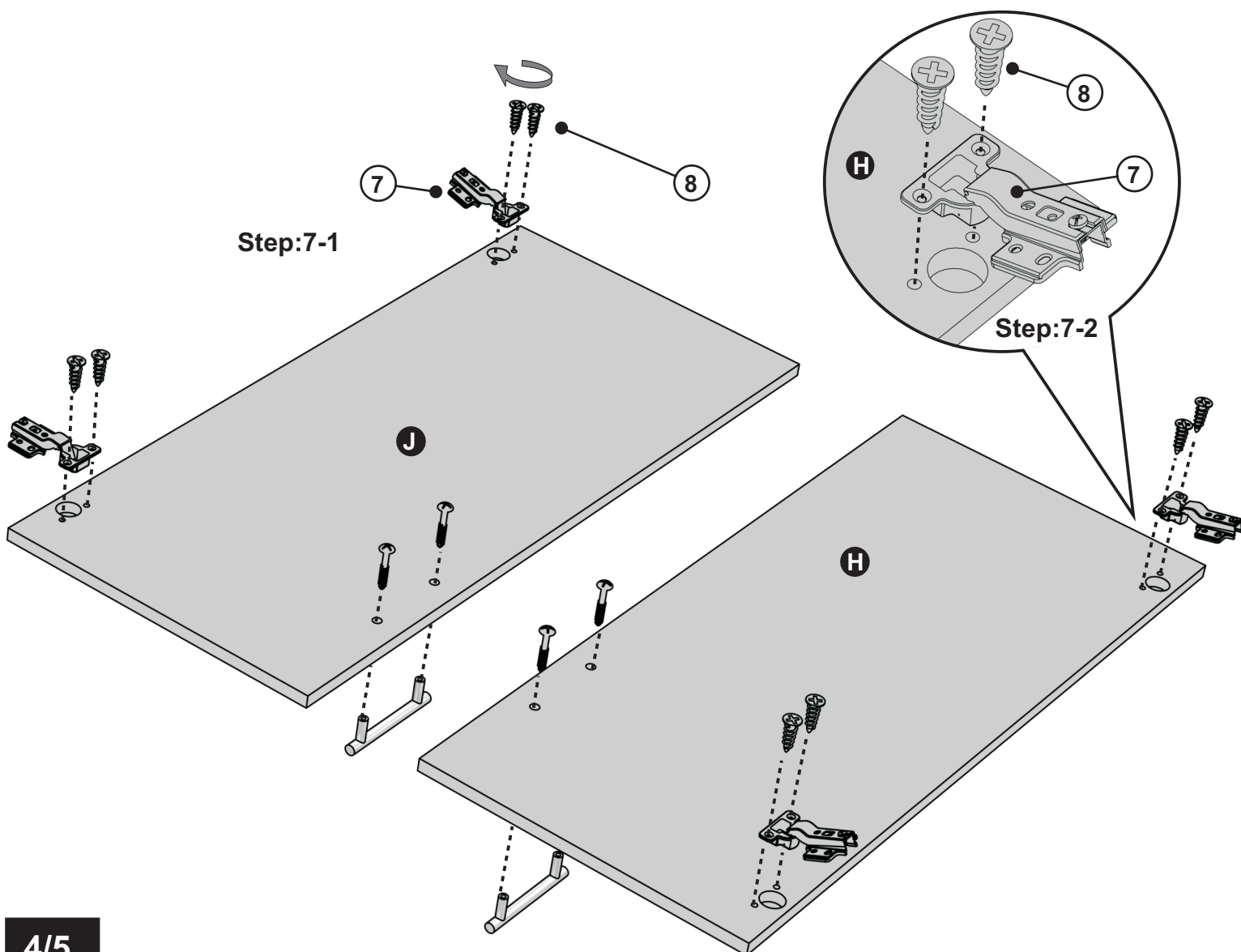


STEP : 6 and 7

Step:6



Step:7-1



STEP : 8 and Finish

