

# S214 / S215

## ASSEMBLY INSTRUCTIONS

---

---

Assembly tools required : Hammer, Phillips # 2, #3 and regular screwdriver, 10 and 17mm wrenches

---

---

### Special Notes :

To make the assembly simple and well done, you have to be familiar with the parts. Follow the step-by-step instructions on a clean area ( ex. carpet). Read instructions before starting the assembly

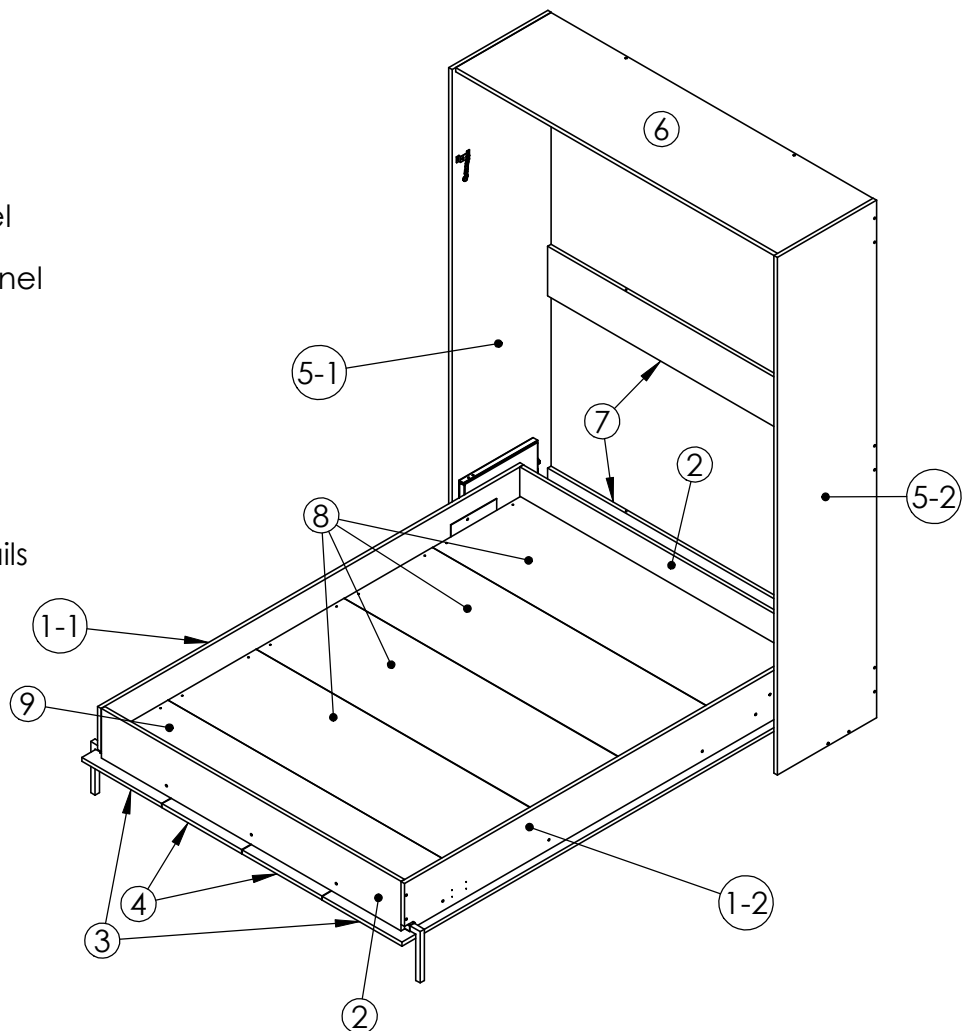
---

---

- 1- Bed side left/right
- 2- Upper/lower bed rail
- 3- External doors
- 4- Middle doors
- 5- Cabinet side left/right
- 6- Cabinet top
- 7- Cabinet cross rails
- 8- Bed wide bottom panel  
(S214, 4X; S215, 5X)
- 9- Bed narrow bottom panel  
(S214 only)

### Parts not shown :

- 10- Cabinet upper rail
- 11- Bed side rail, plywood
- 12- Crossing rail, plywood
- 13- Bed rail upper/lower
- 31- Door reinforcement rails

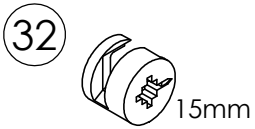


**S214 : 54 inches bed**  
**S215 : 60 inches bed**

# S214 / S215

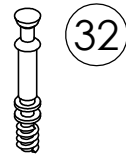
## Pre-Assembly check list Hardware pack

Item : 14



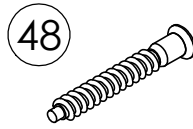
Eccentric housing

Item : 15



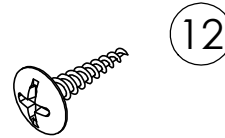
Quick-Fit dowel

Item : 16



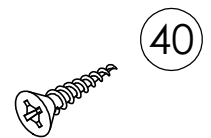
Assembly screw

Item : 17



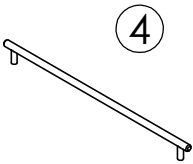
Screw #8 - 1 1/8"

Item : 18



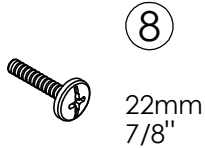
Screw #6 - 5/8"

Item : 19



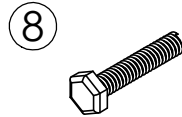
Handle

Item : 20



Screw ( round head )

Item : 21



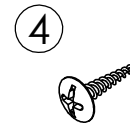
Bolt M6 - 19 mm

Item : 22



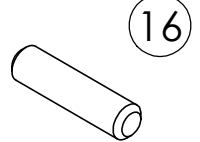
Screw #8 - 1"

Item : 23



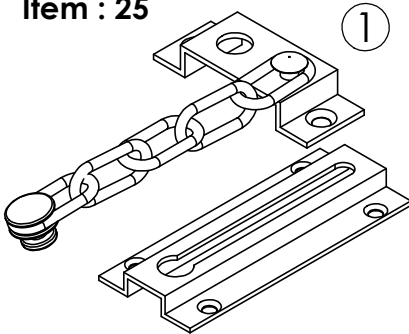
Screw #10 - 3/4"

Item : 24



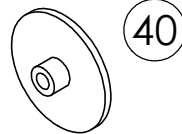
Wood dowel

Item : 25



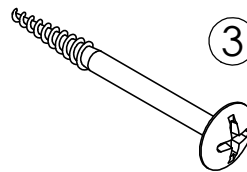
Seafy chain device

Item : 26



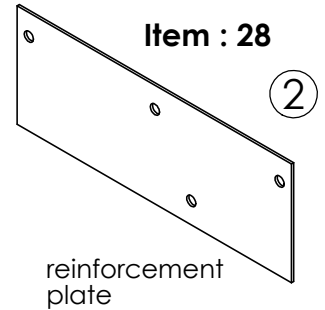
Screw cap

Item : 27



Screw #8 - 2 1/2"

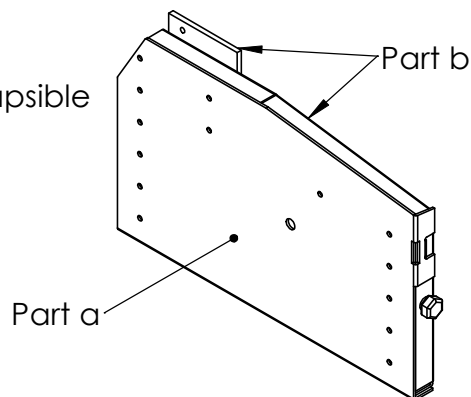
Item : 28



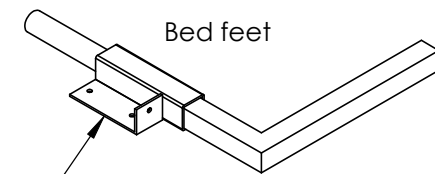
reinforcement plate

Item : 29

Mechanism for Collapsible bed, left side shown



Item : 30

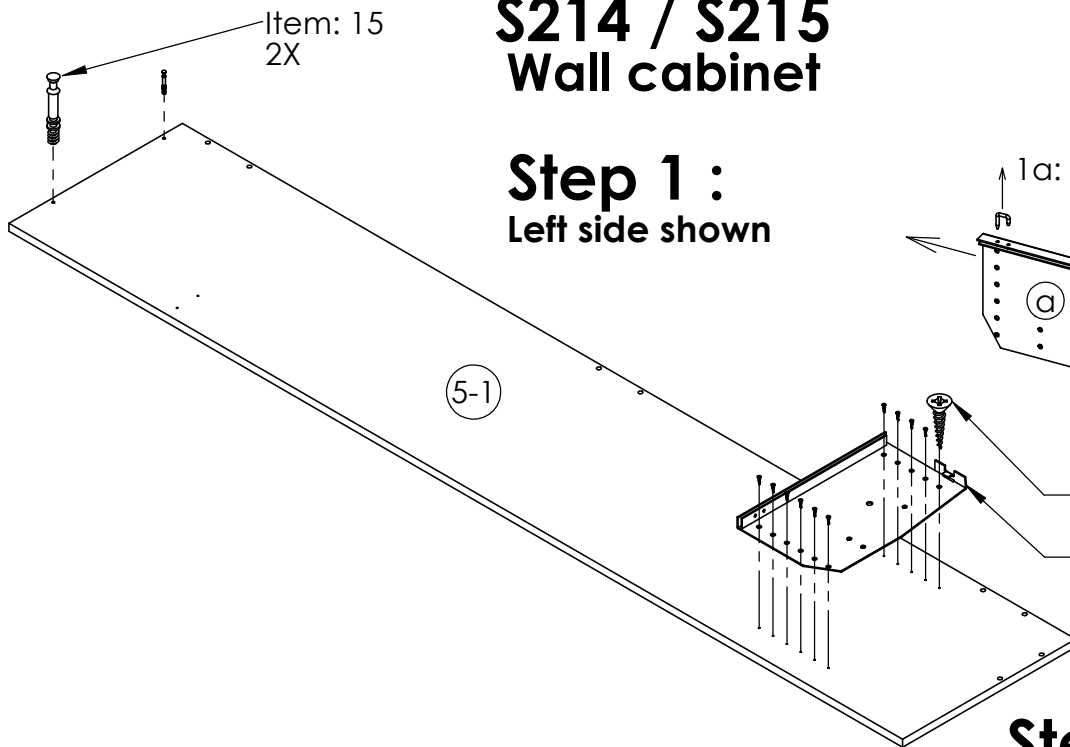


Bed feet

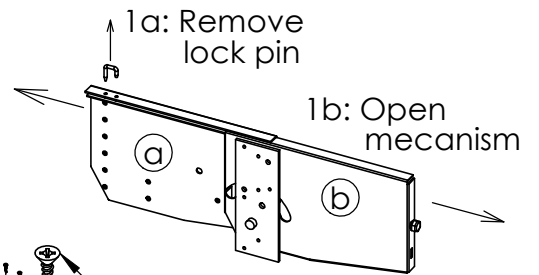
This item as a left an a right part

# S214 / S215 Wall cabinet

## Step 1 : Left side shown



### Mecanism preparation :



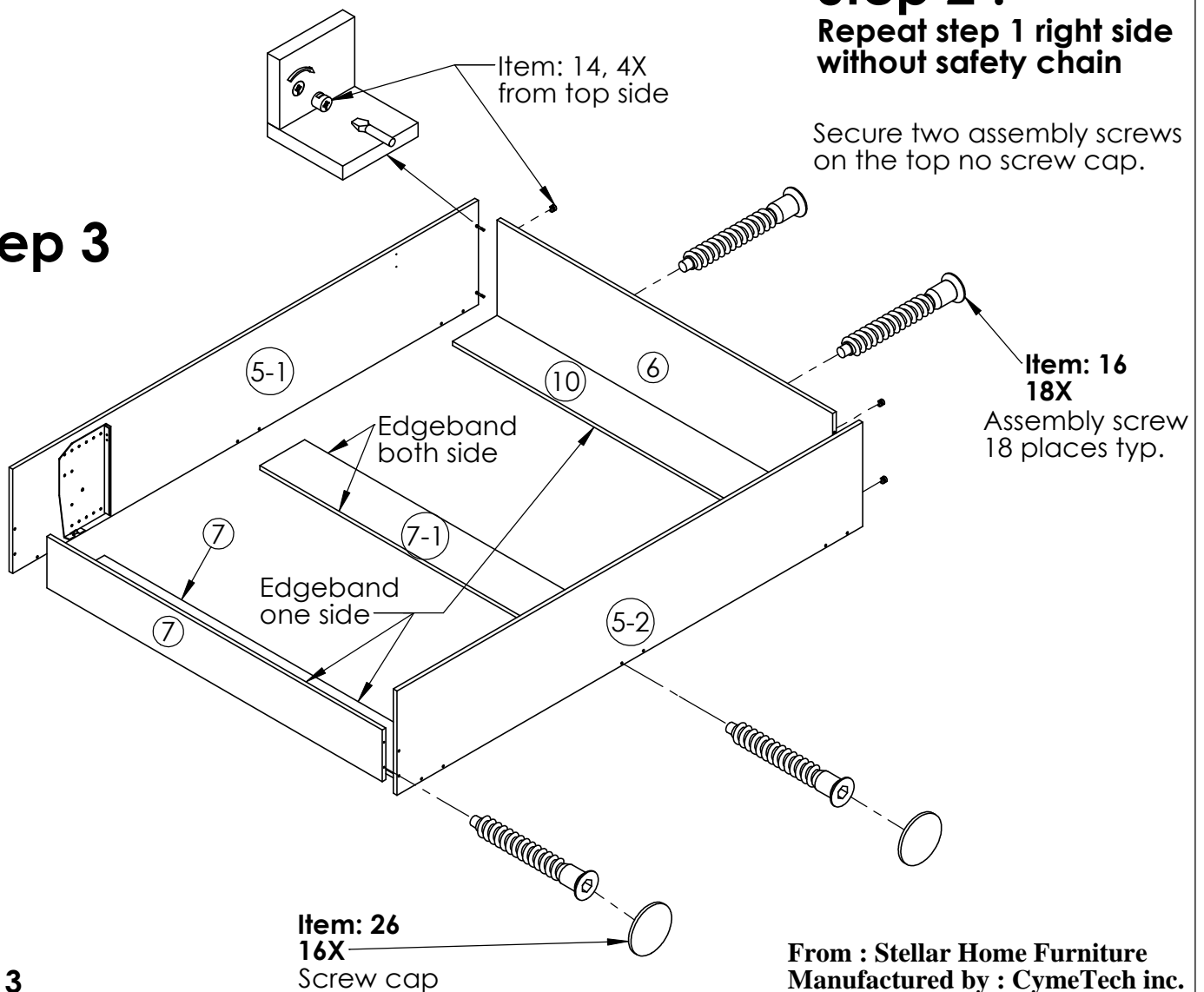
Item: 18, 11X

Item 29a

## Step 2 : Repeat step 1 right side without safety chain

Secure two assembly screws  
on the top no screw cap.

## Step 3



Item: 26  
16X  
Screw cap

From : Stellar Home Furniture  
Manufactured by : CymeTech inc.  
service@stellarhomefurniture.com

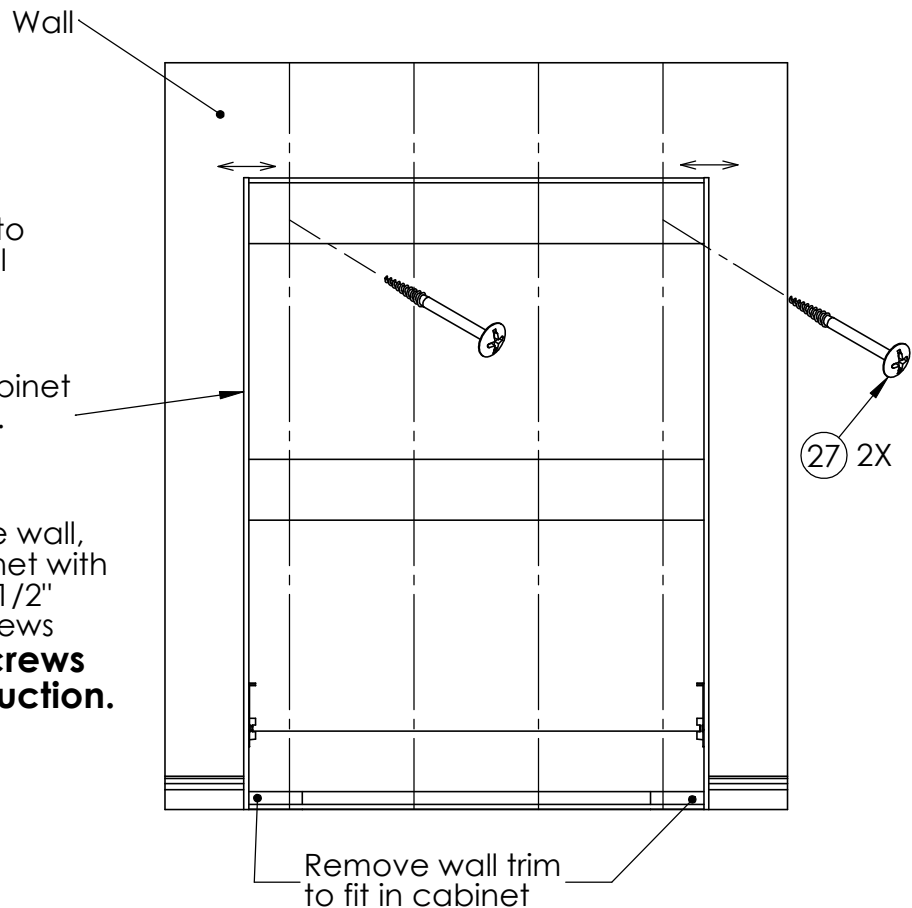
# S214 / S215 Wall cabinet

## Step 4

**4a.** Remove bottom wall trim to install cabinet against wall

**4b.** Place level tool on the cabinet side and adjust if needed.

**4c.** Locate vertical studs in the wall, secure upper end of cabinet with a minimum of two #8 X 2 1/2" screws in upper trim ( 3 screws included). **Use proper screws depending wall construction.**



## Warning :

It is mandatory to fix the cabinet firmly to the wall by locating inwall studs. Severe damage to the cabinet and possible injuries to people may result. Use longer or bigger screws if needed. Stellar Home Furniture is not responsible for part damages or injuries caused by inappropriate installation.

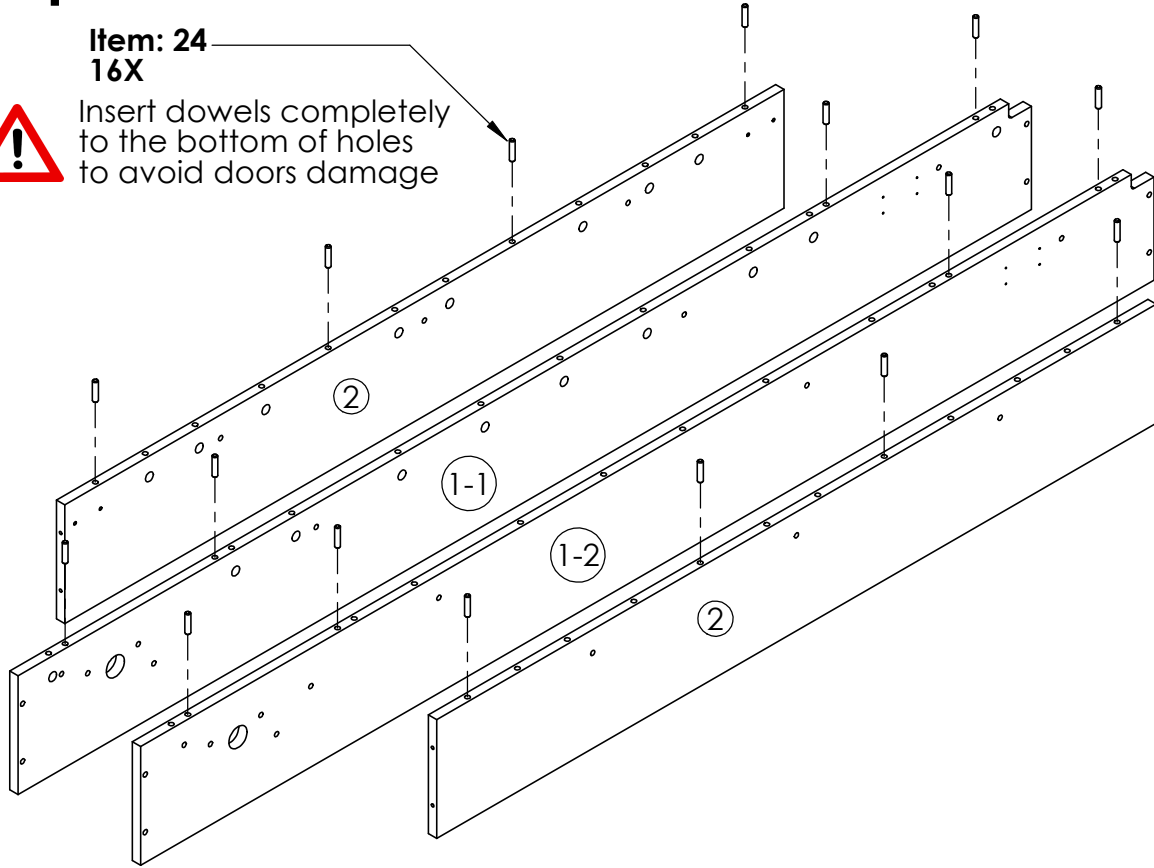
# S214 / S215 Bed, base

## Step 5

Item: 24  
16X

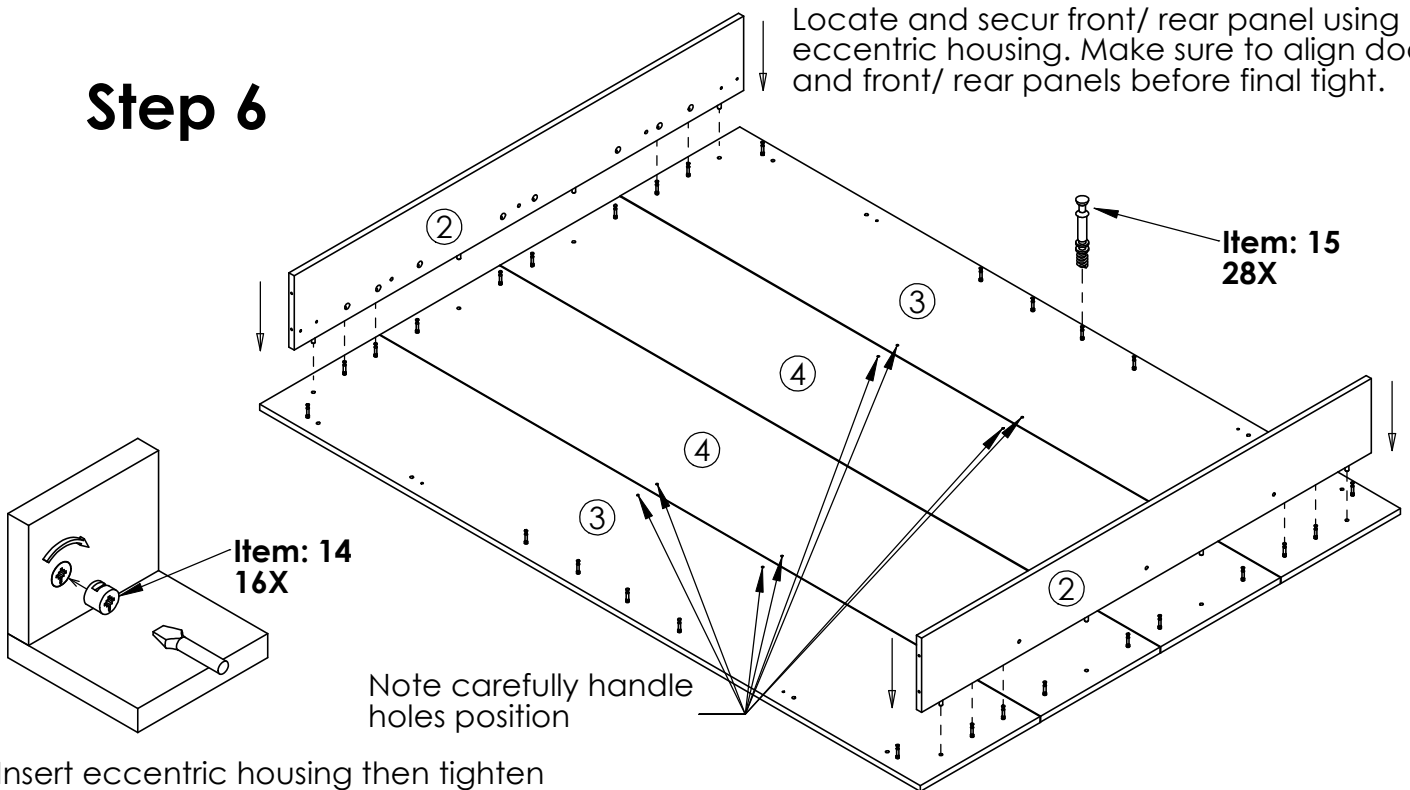


Insert dowels completely to the bottom of holes to avoid doors damage



## Step 6

Locate and secur front/ rear panel using eccentric housing. Make sure to align doors and front/ rear panels before final tight.

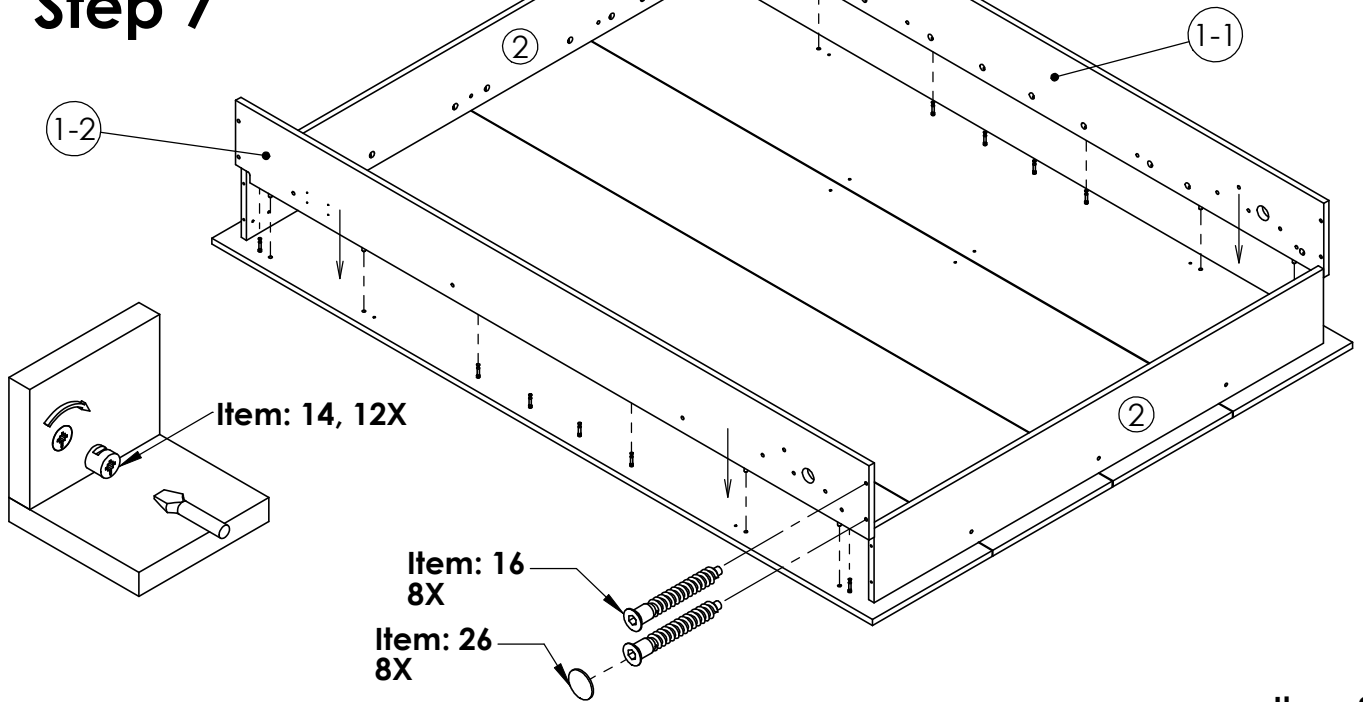


Insert eccentric housing then tighten clockwise with screwdriver.

# S214 / S215 Bed base

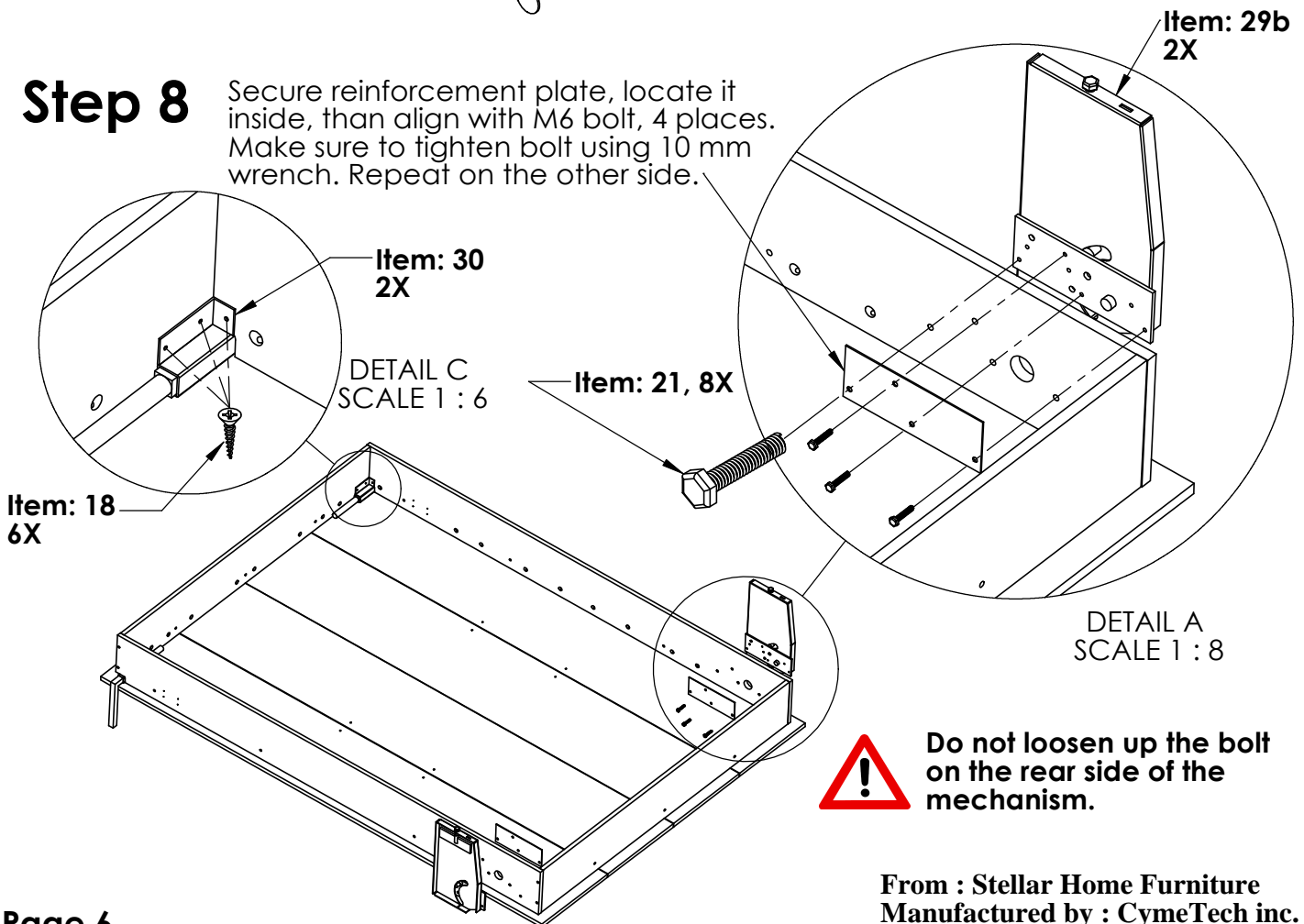
Slide down sides 1-1 and 1-2 first, then secure with eccentric housing. Place and tighten assembly screw.

## Step 7



## Step 8

Secure reinforcement plate, locate it inside, than align with M6 bolt, 4 places. Make sure to tighten bolt using 10 mm wrench. Repeat on the other side.

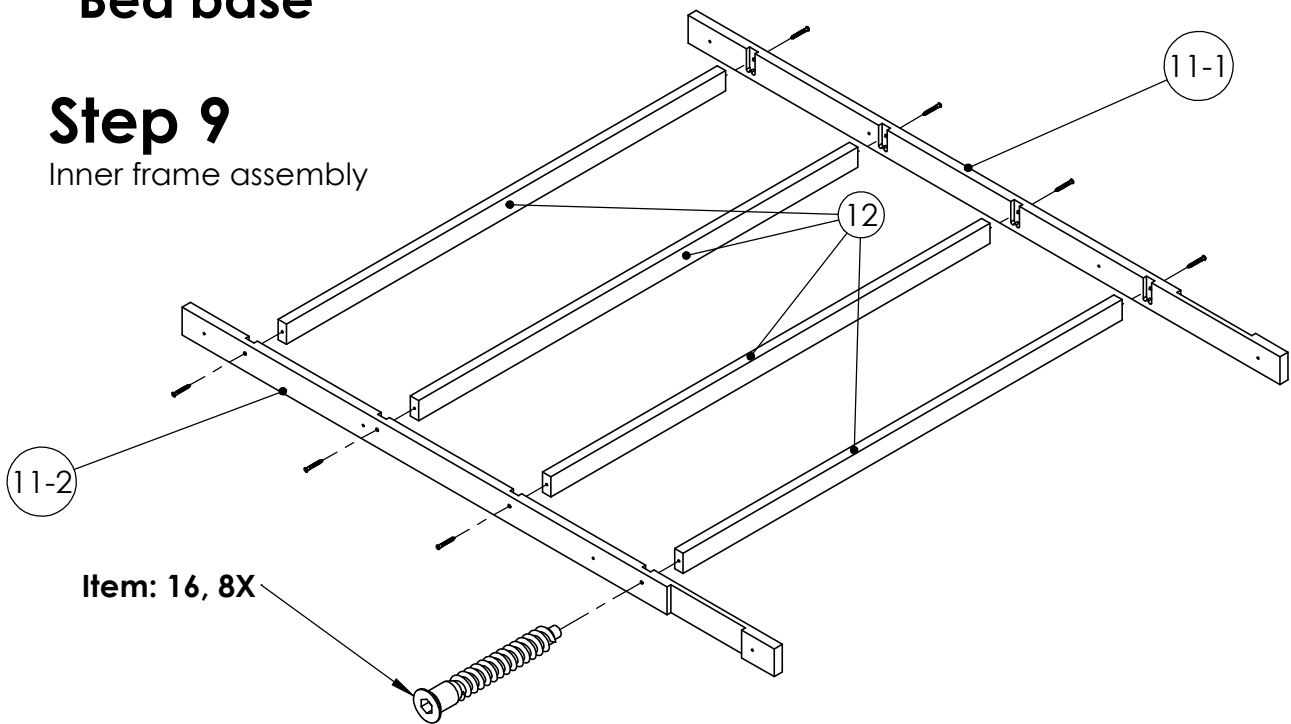


Do not loosen up the bolt on the rear side of the mechanism.

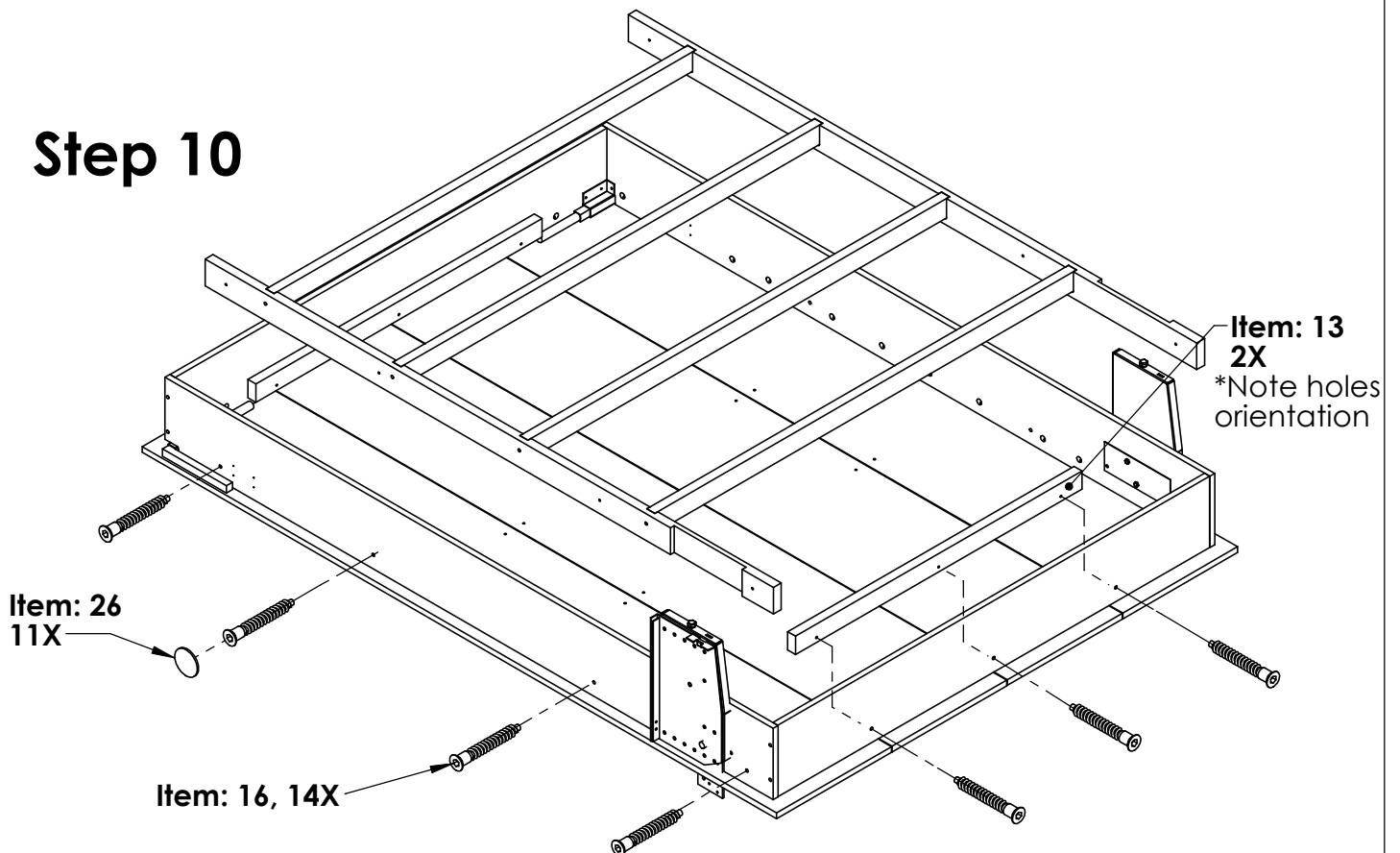
# S214 / S215 Bed base

## Step 9

Inner frame assembly

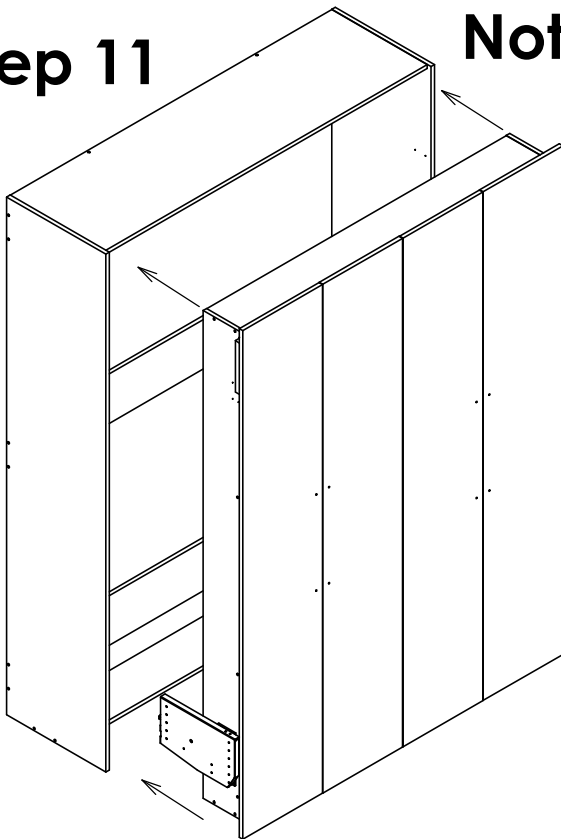


## Step 10



Secure upper & lower rails #13 first, than bring down inner frame from step 9 and secure it using assembly screw.

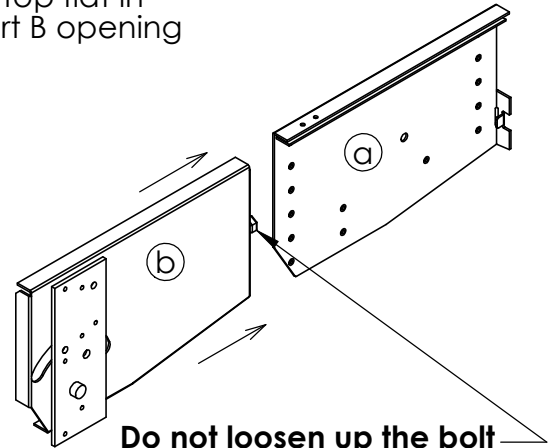
## Step 11



### Note:

With two people, one on each side, insert bed into cabinet by holding it vertically and parallel to the cabinet. Make sure to align mechanism on each side as shown below.

Insert part A top flat in between part B opening as shown.



Do not loosen up the bolt on the rear side of the mechanism.

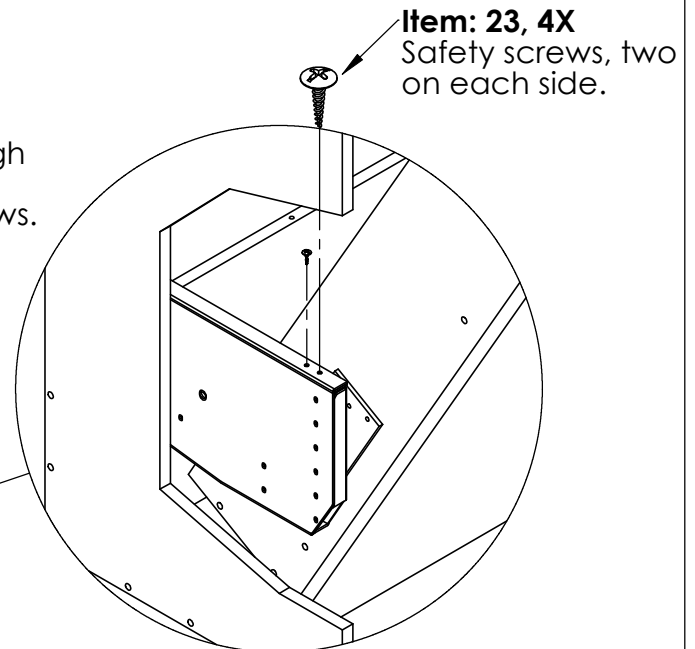
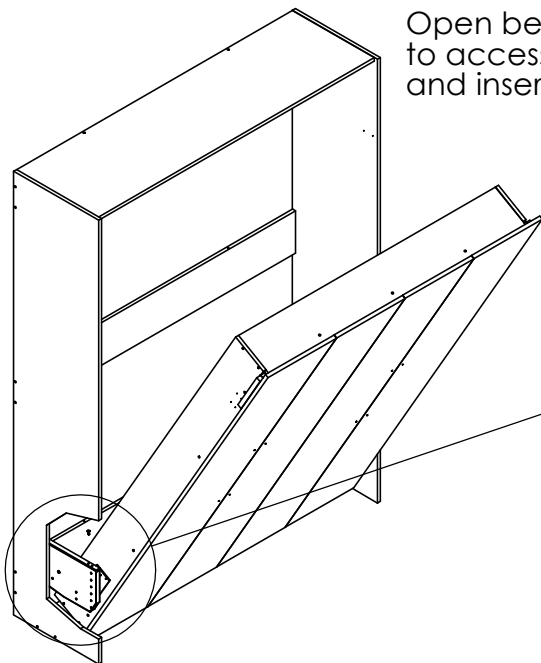


## Warning !

Do not open bed completely until safety screws are installed. It may result in severe damages to the cabinet and bed parts as well as possible injury to people.

## Step 12

Open bed just enough to access mechanism and insert safety screws.



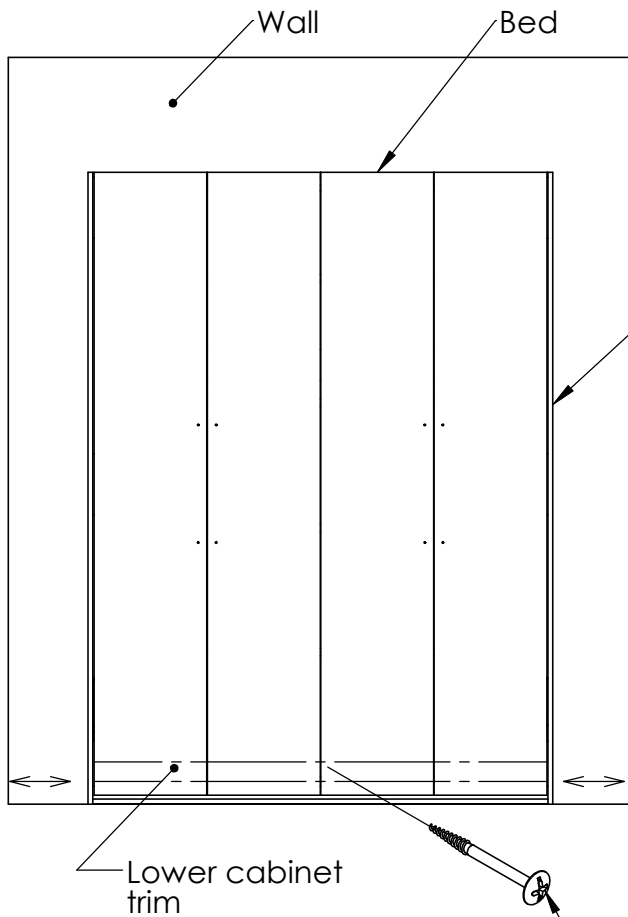
DÉTAIL H  
ECHELLE 1 : 8



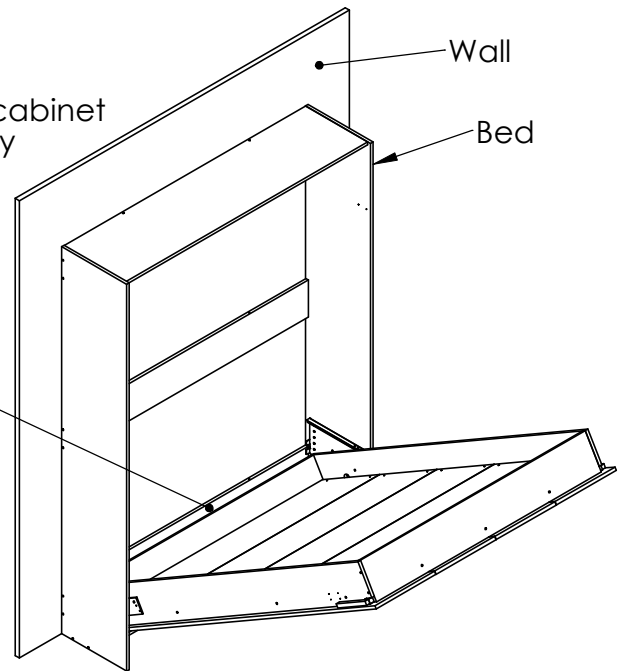
## Step 13

**9a:** Once bed is installed into wall cabinet, move sideways cabinet bottom until a perfect alignment of doors with wall cabinet.

**9b:** Then secure cabinet bottom with minimum one screw into lower trim. Make sure to reach wall stud.

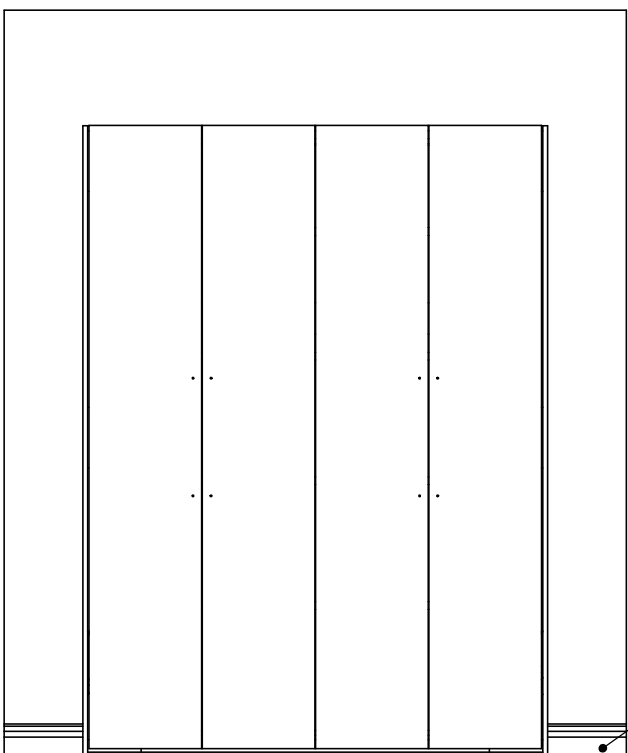


27



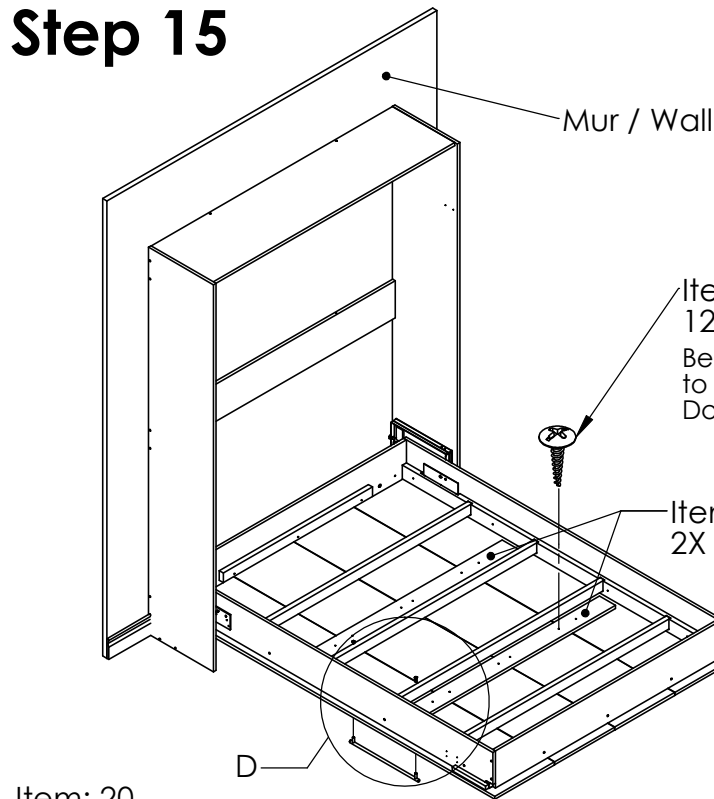
## Step 14

Cut to size the bottom wall trim previously removed at step 4 and re-install it both sides of cabinet.

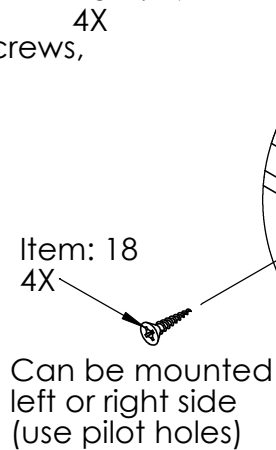
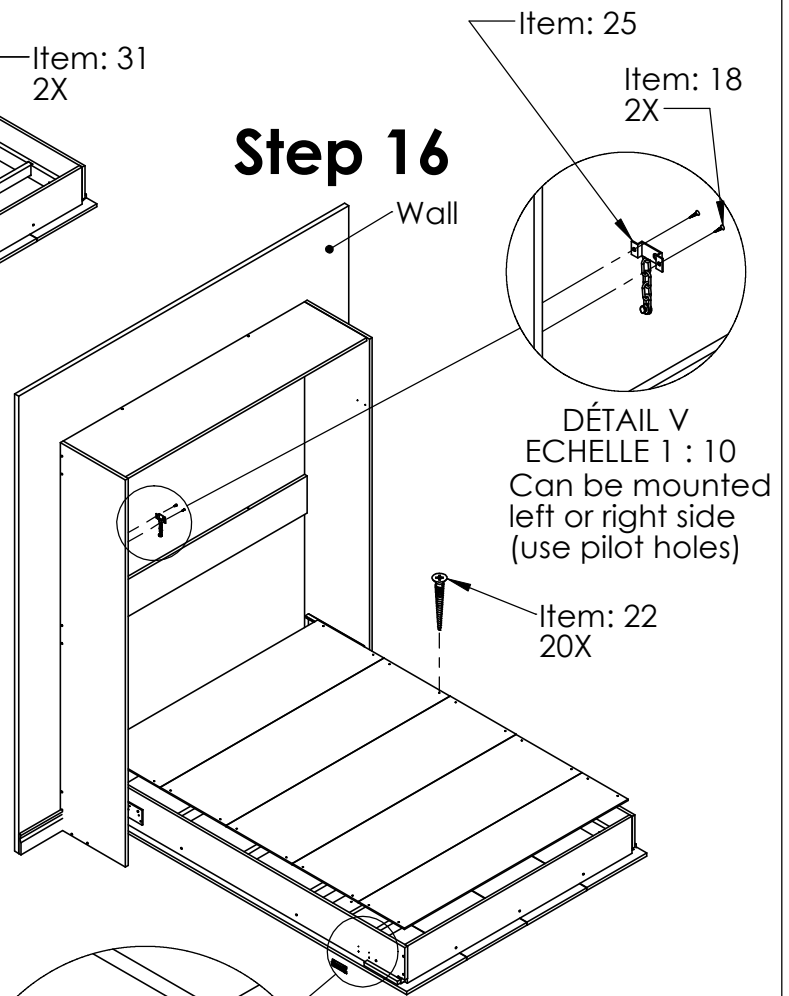
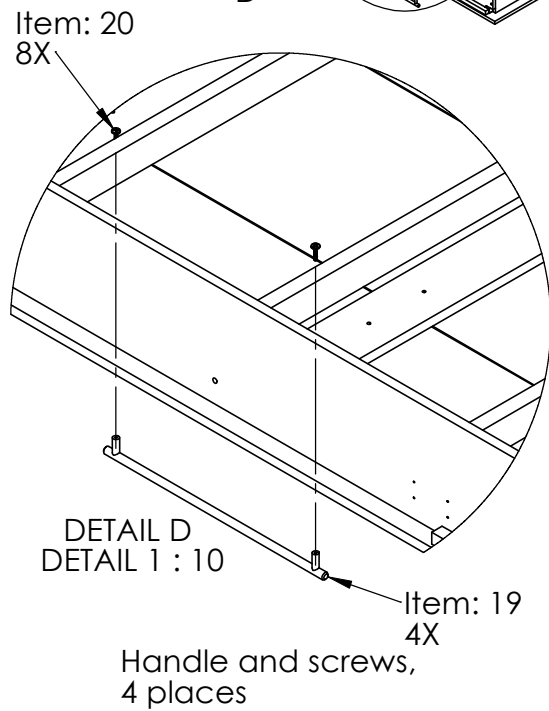


# Step 15

# S214 / S215



# Step 16



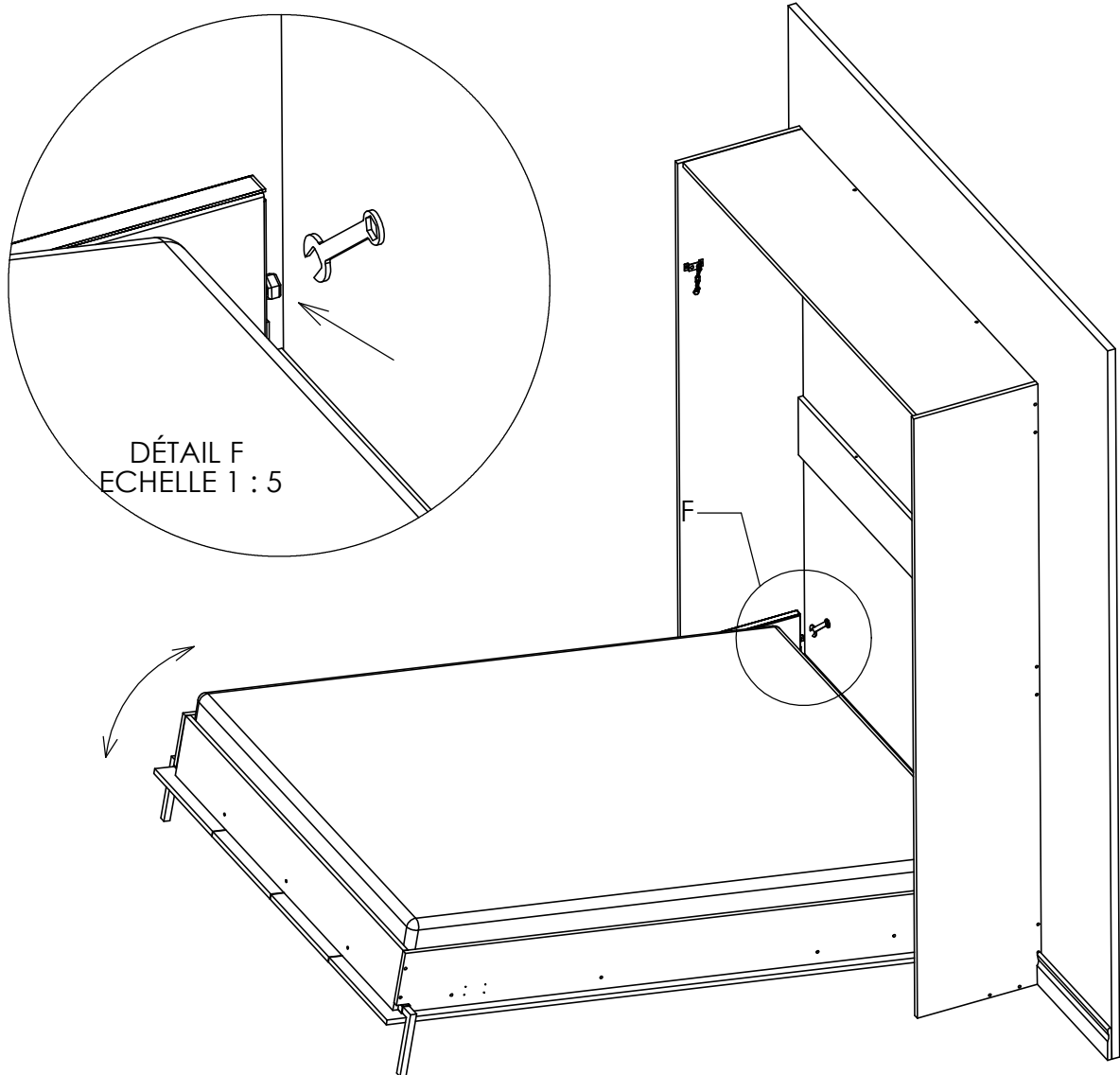
# S214 / S215

## Step 17

### Balance adjustment :

For a perfect balance of mechanism, you may have to adjust it as required since not all mattresses have the same weight. Use a 17mm (or 11/16") wrench. Do it slowly half turn at a time, equally both sides. To obtain a perfect balance, the bed must be stationary in each opened position.

 **Do not unscrew completely the adjustment bolt**



# Warranty

The warranty from Cyme Tech covers defects in material and workmanship for a period of 5 years from the date of purchase. The original purchase receipt is required as proof of purchase. This warranty is limited to the replacement of defective parts.

This warranty does not cover normal wear and tear, scratches, alterations and intentional and non-intentional damages.

This warranty does not cover the product if it has been placed outdoors or in a humid environment.

This warranty is only valid for purchases made at an authorized Cyme Tech dealer in Canada and in the United States.

This warranty defines the limits of Cyme Tech's liability and entitles the original buyer to specific rights. Any warranty defined by law in your state or province is limited to a period of 5 years. If the law in your state or province prohibits this restriction, then it does not apply.