






Examine all packaging material for small parts that may have come loose during shipment. Periodic checks are recommended to insure that all components are in proper position, tight and free from damage. Keep this assembly instruction for future reference. Adult assembly is required. The product of Hillsdale Furniture, LLC is designed for residential use only. Customer Service Phone Number: 502-562-0000

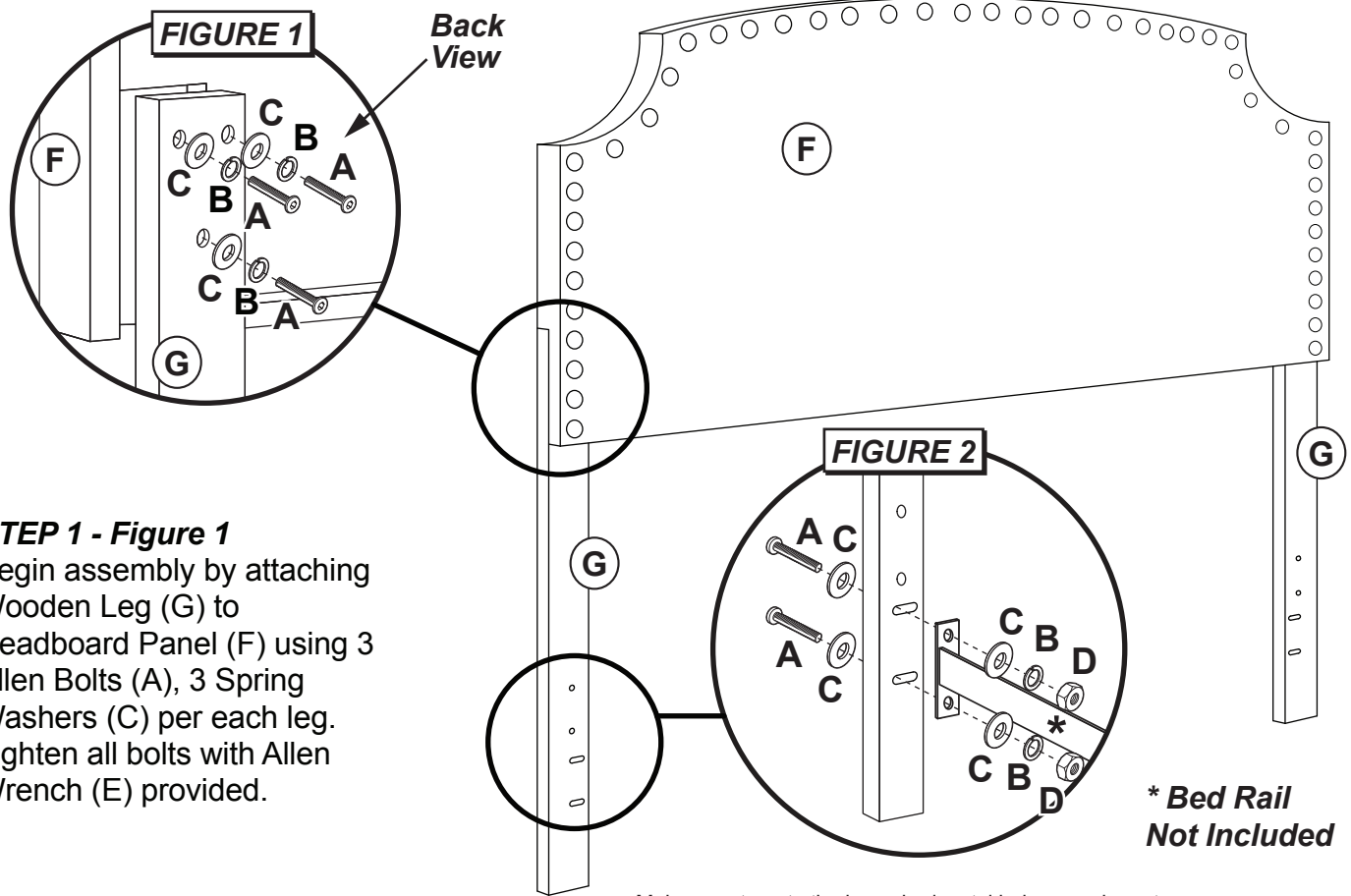
HARDWARE LIST

- A (10) Allen Bolts M6 x 45mm
- B (10) Spring Washers
- C (14) Flat Washers
- D (4) Hex Nuts
- E (1) Allen Wrench

PART	QTY	HARDWARE	PART	QTY	HARDWARE
A	10		B	10	
C	14		D	4	
E	1				

PARTS LIST

- F (1) Headboard Panel
- G (1) Wooden Legs



STEP 1 - Figure 1

Begin assembly by attaching Wooden Leg (G) to Headboard Panel (F) using 3 Allen Bolts (A), 3 Spring Washers (C) per each leg. Tighten all bolts with Allen Wrench (E) provided.

Make sure to note the lower horizontal holes are closer to the inside of the headboard when placed correctly.

STEP 2 - Figure 2








Attach Bed Rail (*Not included) to Wooden Legs (G) using 2 Allen Bolts (A) and 2 Flat Washers (C) from the back and 2 Flat Washers (C), 2 Spring Washers (B) and 2 Hex Nuts (D) from the front. Tighten all bolts with Allen Wrench (E) provided.

Color. 370 / 470 / 570 Light Grey, 371 / 471 / 571 Dark Linen Grey, 372 / 472 / 572 Linen Beige

Examine all packaging material for small parts that may have come loose during shipment. Periodic checks are recommended to insure that all components are in proper position, tight and free from damage. Keep this assembly instruction for future reference. Adult assembly is required. The product of Hillsdale Furniture, LLC is designed for residential use only. Customer Service Phone Number: 502-562-0000

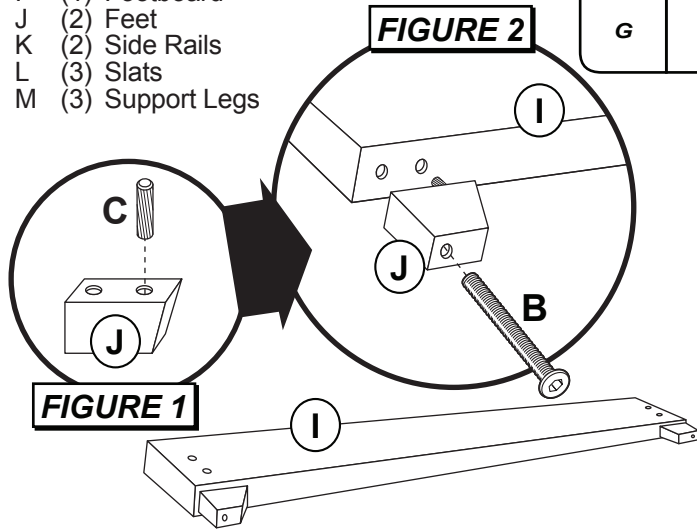
HARDWARE LIST

- A (8) Allen Bolts M6 x 20mm
- B (2) Allen Bolts M6 x 70mm
- C (2) Wood Dowels
- D (6) Wood Screws 32mm
- E (1) Large Allen Wrench
- F (1) Small Allen Wrench
- G (2) Allen Bolts M6 x 35mm

PART	QTY	HARDWARE	PART	QTY	HARDWARE
A	8		B	2	
C	2		D	6	
E	1		F	1	
G	3				

PARTS LIST

- H (1) Headboard Set
- I (1) Footboard
- J (2) Feet
- K (2) Side Rails
- L (3) Slats
- M (3) Support Legs



STEP 1 - Figure 1

Begin assembly by inserting 1 Wood Dowel (C) into each Foot (J) on the angled side. Lightly hammer down dowels to make sure they are in tightly (hammer not included).

STEP 2 - Figure 2

Next attach Foot (J) to Footboard (I) by inserting the dowel in the inside hole and securing with 1 Allen Bolt (B) per foot. Tighten bolts with Allen Wrench (F) provided.

STEP 3 - Figure 3

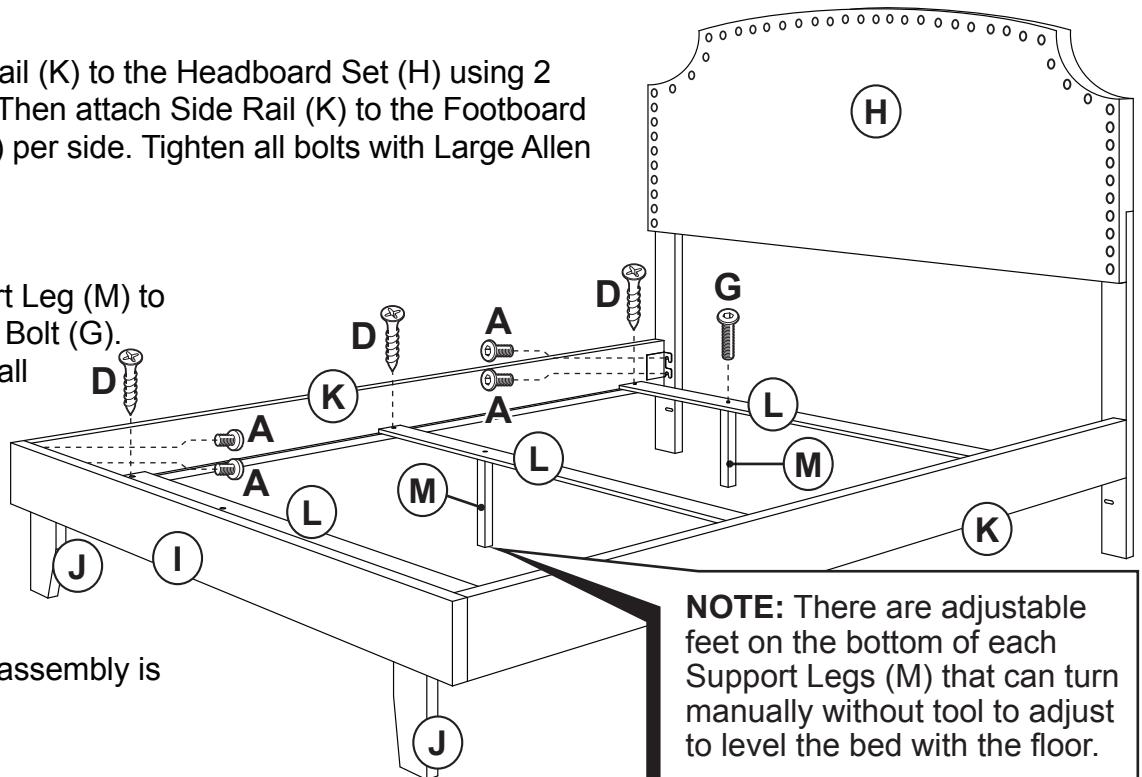
Next attach each Side Rail (K) to the Headboard Set (H) using 2 Allen Bolts (A) per side. Then attach Side Rail (K) to the Footboard (I) using 2 Allen Bolts (A) per side. Tighten all bolts with Large Allen Wrench (E) provided.

STEP 4 - Figure 4

Next attach each Support Leg (M) to each Slat (L) using Allen Bolt (G). Tighten all bolts with Small Allen Wrench (F) provided.

STEP 5 - Figure 5

Finally attach each Slat (L) to the Side Rail (K) using 1 Wood Screw (D) per side. The assembly is complete.



NOTE: There are adjustable feet on the bottom of each Support Legs (M) that can turn manually without tool to adjust to level the bed with the floor.

Color: 450 / 550 Light Grey, 451 / 551 Dark Linen Grey, 452 / 552 Linen Beige