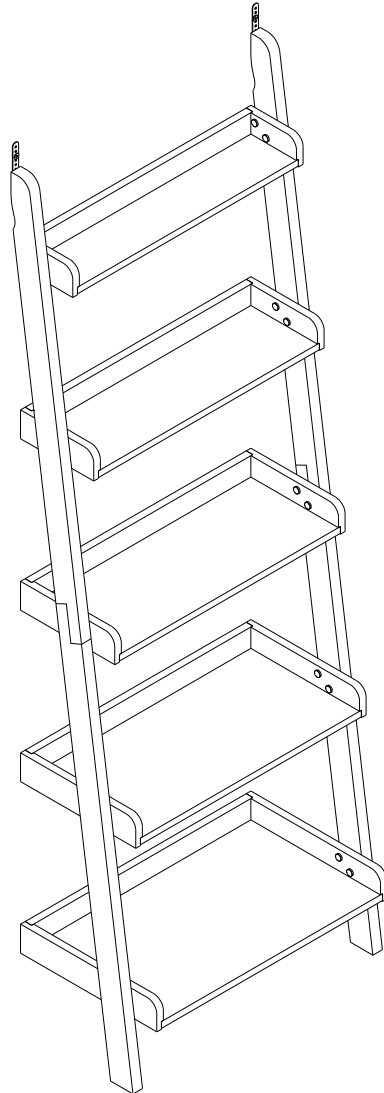


ASSEMBLY INSTRUCTIONS



Description : LEANING SHELF
Item No. : SH-2660

ITEM NO.: SH-2660
REVISED JUL 01, 2013

Printed in Vietnam

BEFORE ASSEMBLY

Thank you for purchasing this quality product. This product has been designed for easy assembly and constructed for durability. All parts were checked prior to packaging to insure quality. Prior to beginning assembly, however, make sure all parts and hardware are included and free of obvious defect. If a part is missing or defective, please contact the store where purchased. If hardware is missing, or you need help with assembly, please call toll free 888-944-8396.

IMPORTANT NOTE:

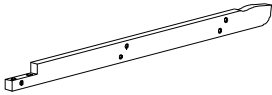
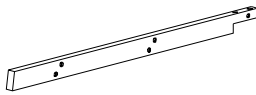
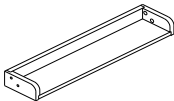
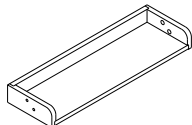
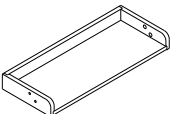
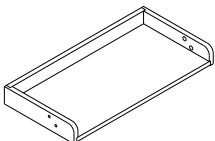
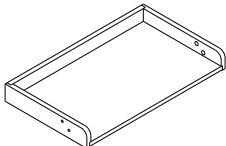
- Place all wooden parts on a clean and smooth surface such as a rug or carpet to avoid the parts from being scratched.
- Remove all wrapping material, including staples & packing straps before you start to assemble.
- DO NOT tighten all screws and bolts until completely assembled.
- Keep all hardware parts out of reach of children.

ASSEMBLY TOOLS REQUIRED NOT INCLUDED



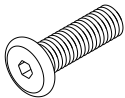


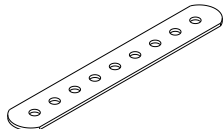
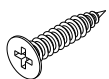
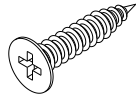
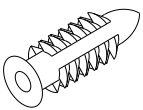

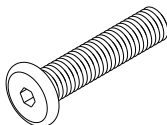
PART LIST

When unpacking, please be careful not to discard any parts with the packaging. Before continuing, please make sure you have the following parts:

NO	Description	Qty	Sketch	NO	Description	Qty	Sketch
A	Upper Post (Left-Right)	2		B	Lower Post (Left-Right)	2	
C	Top shelf (the smallest)	1		D	2 nd shelf	1	
E	3 rd shelf	1		F	4 th shelf	1	
G	Bottom shelf (the biggest)	1					

HARDWARE LIST

When unpacking, please be careful not to discard any parts with the packaging. Before continuing, please make sure you have all of the following hardware:

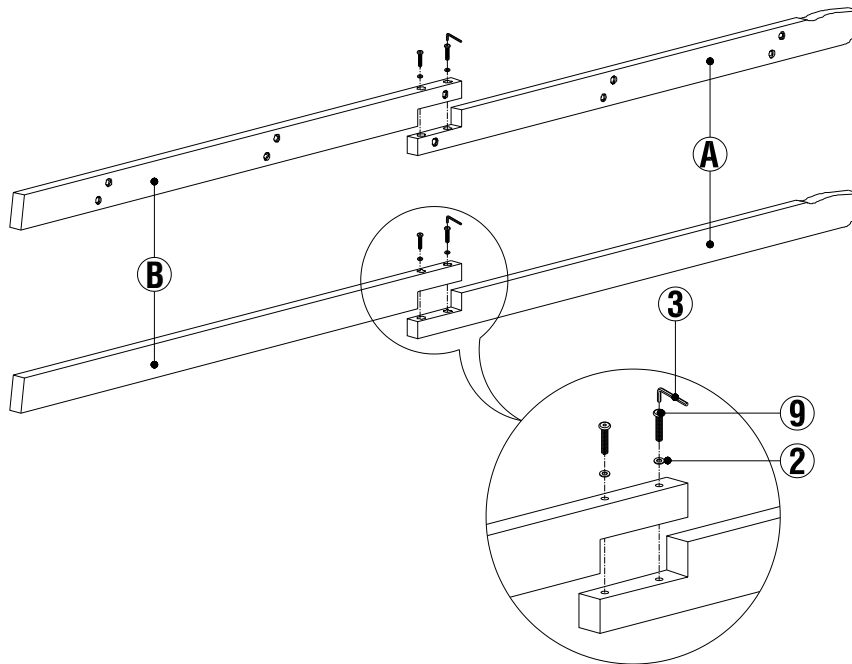
NO	Description	Qty	Sketch	NO	Description	Qty	Sketch
1	Short Bolt (M6 x 25mm)	20		2	Flat Washer (Φ6.5 x 13mm)	24	
3	Allen Key (4x80 mm)	1		4	Steel Band (1.2x15x100mm)	2	
5	Short Screw (M3 x 15mm)	4		6	Long Screw (M4 x 30mm)	2	
7	Plastic Dowel (M5 x 30mm)	2		8	Wood Plug (Φ14.5mm)	20	
9	Long Bolt (M6 x 40mm)	4					

ITEM NO.: SH-2660
REVISED JUL 01, 2013

Printed in Vietnam

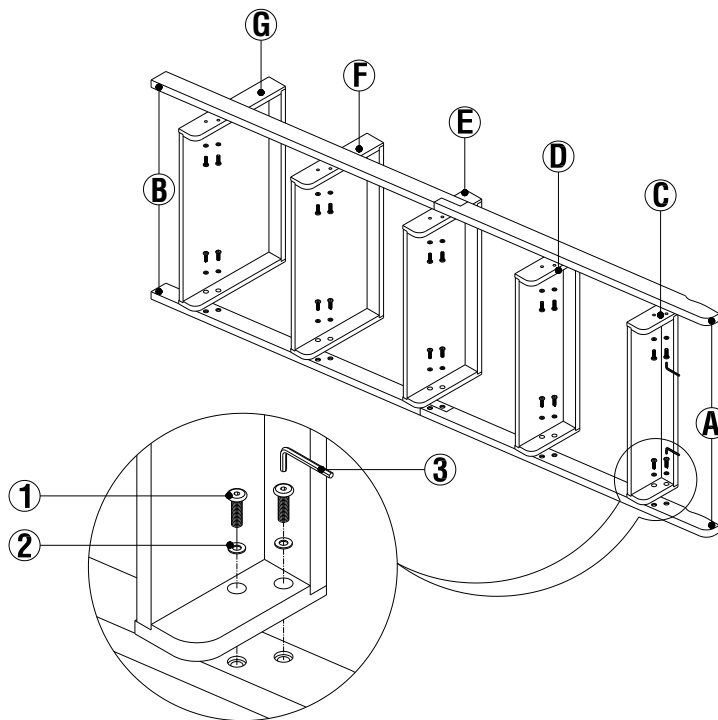
STEP 1

Carefully attach posts (A) and (B) together with bolts (9), and washers (2) as shown below. Tighten with Allen Key (3).



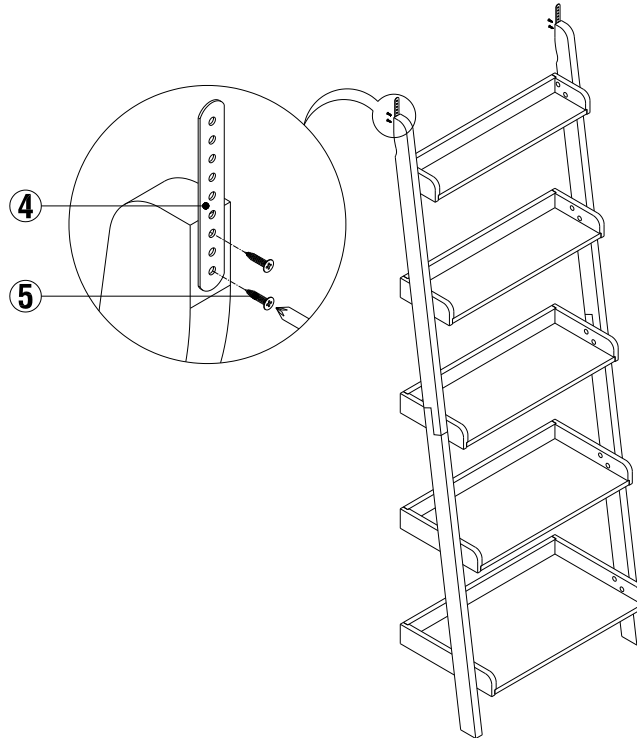
STEP 2

Carefully place the 5 shelves (C), (D), (E), (F), (G) between the 2 Side posts, Attach the shelves to the posts with bolts (1) and washers (2) as shown below. Tighten with Allen key (3).



STEP 3

Attach the steel bands (4) with screws (5) at position as shown below.



DO NOT FULLY TIGHTEN all screws and bolts until the product is leaning against the wall.

STEP 4

Insert the Plastic dowels (7) into the wall. Attach the unit to the wall with screws (6) to secure the product and prevent tipping as shown below. Then, put the Wood Plugs (8) over screws to cover them.

