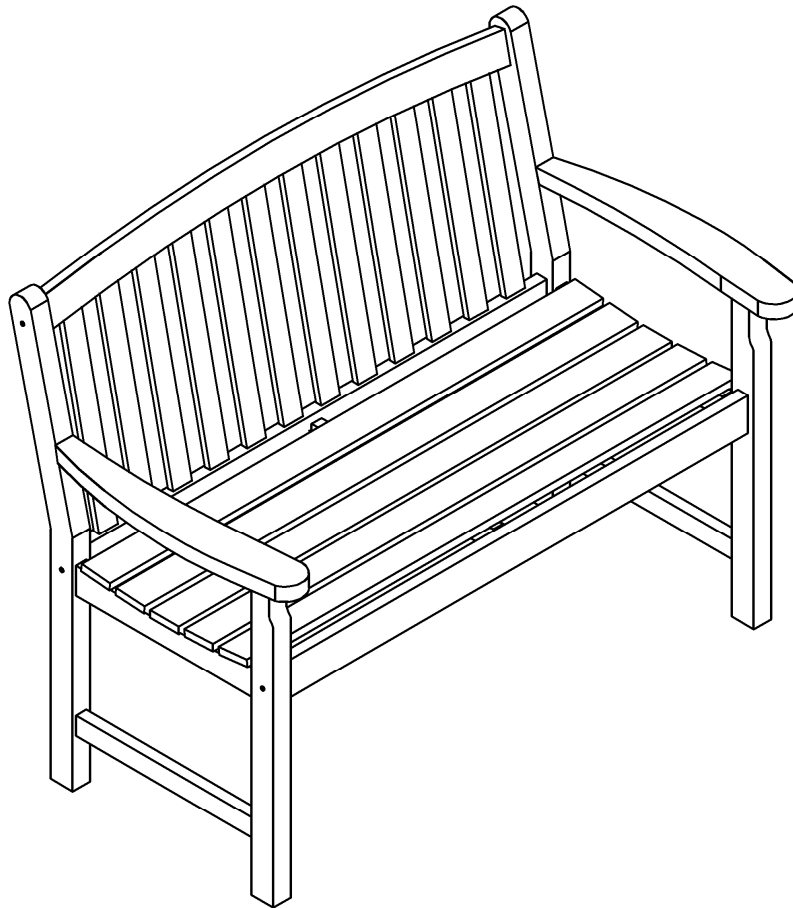


# ASSEMBLY INSTRUCTIONS

---



---

Description : 2 SEATER BENCH  
Item No. : BE-53937

ITEM NO.: BE-53937  
REVISED AUG 12, 2013

Printed in Vietnam

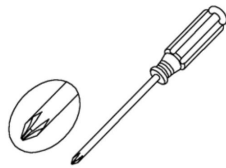
## BEFORE ASSEMBLY

Thank you for purchasing this quality product. This product has been designed for easy assembly and constructed for durability. All parts were checked prior to packaging to insure quality. Prior to beginning assembly, however, make sure all parts and hardware are included and free of obvious defect. If a part is missing or defective, please contact the store where purchased. If hardware is missing, or you need help with assembly, please call toll free 888-944-8396.

### IMPORTANT NOTE:

- Place all wooden parts on a clean and smooth surface such as a rug or carpet to avoid the parts from being scratched.
- Remove all wrapping material, including staples & packing straps before you start to assemble.
- DO NOT tighten all screws and bolts until completely assembled.
- Keep all hardware parts out of reach of children.


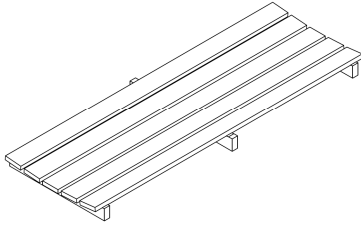
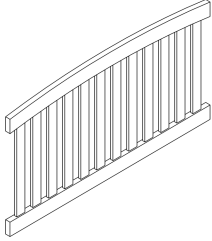

### ASSEMBLY TOOLS REQUIRED



NOT INCLUDED

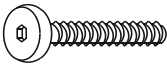




## PART LIST

When unpacking, please be careful not to discard any parts with the packaging. Before continuing, please make sure you have the following parts:

NO	Description	Qty	Sketch	NO	Description	Qty	Sketch
A	Side Frame (L-R)	2		C	Seat Frame	1	
B	Back Frame	1		D	Apron	1	

## HARDWARE LIST

When unpacking, please be careful not to discard any parts with the packaging. Before continuing, please make sure you have all of the following hardware:

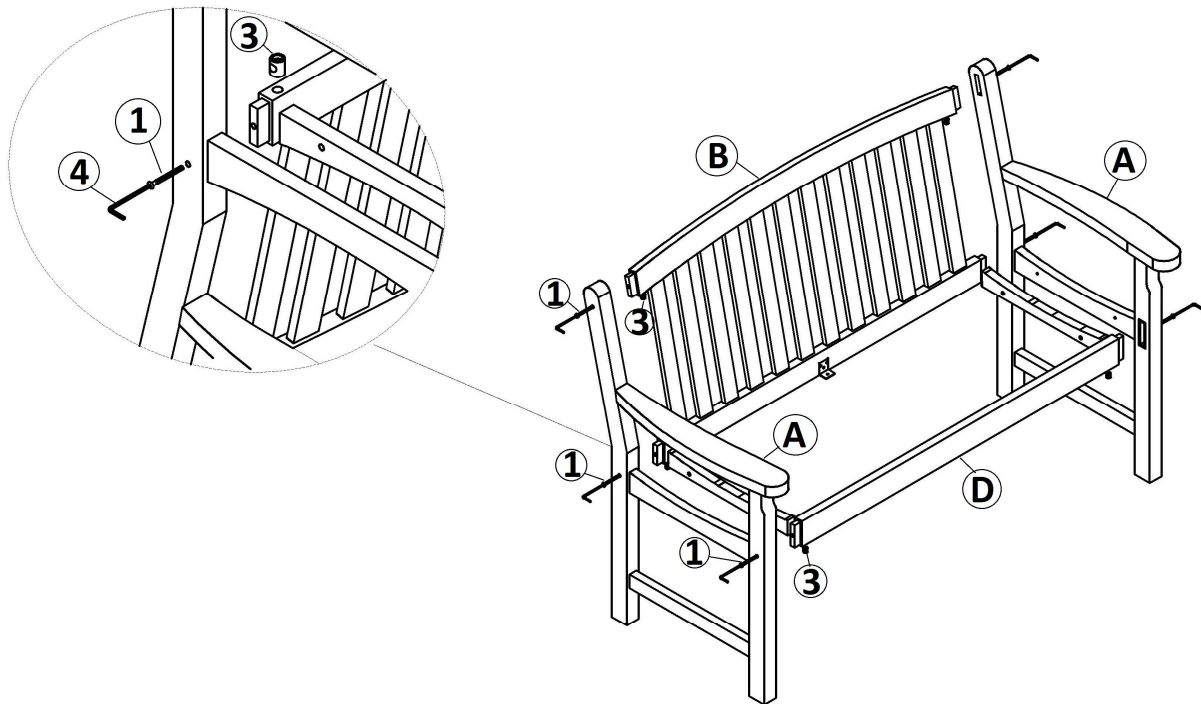
NO	Description	Qty	Sketch	NO	Description	Qty	Sketch
1	Bolt (M6x70mm)	6		2	Screw (M6x35mm)	4	
3	Nut (M6x13mm)	6		4	Allen key (4x80mm)	1	
5	Short screw (M4X15mm)	2					

ITEM NO.: BE-53937  
REVISED AUG 12, 2013

Printed in Vietnam

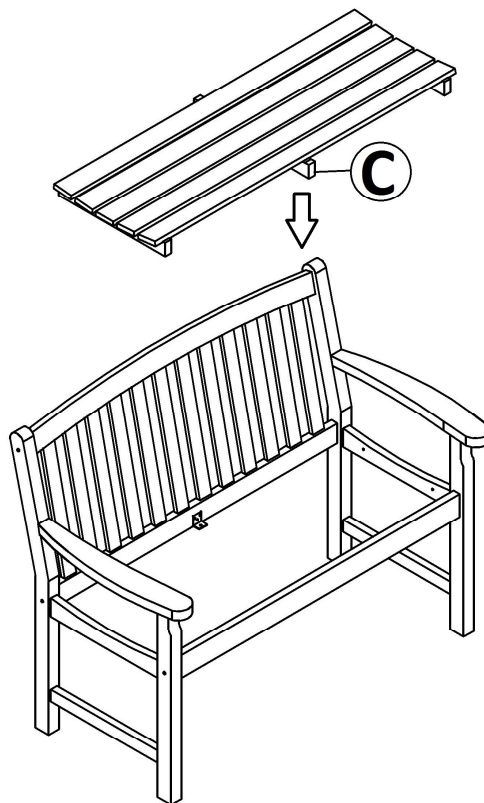
## STEP 1

Attach Apron (D) and back frame (B) to side frames (A) with bolts (1) and nuts (3) as shown below. Tighten with Allen key (4).



## STEP 2

Place the seat frame (C) to the unit as shown below.



### STEP 3

Insert short screws (5) to seat frame (C) as shown below. Tighten with a screwdriver.

Attach seat frame (C) to side frames (A) with screws (2) as shown below. Tighten with Allen key (4).

