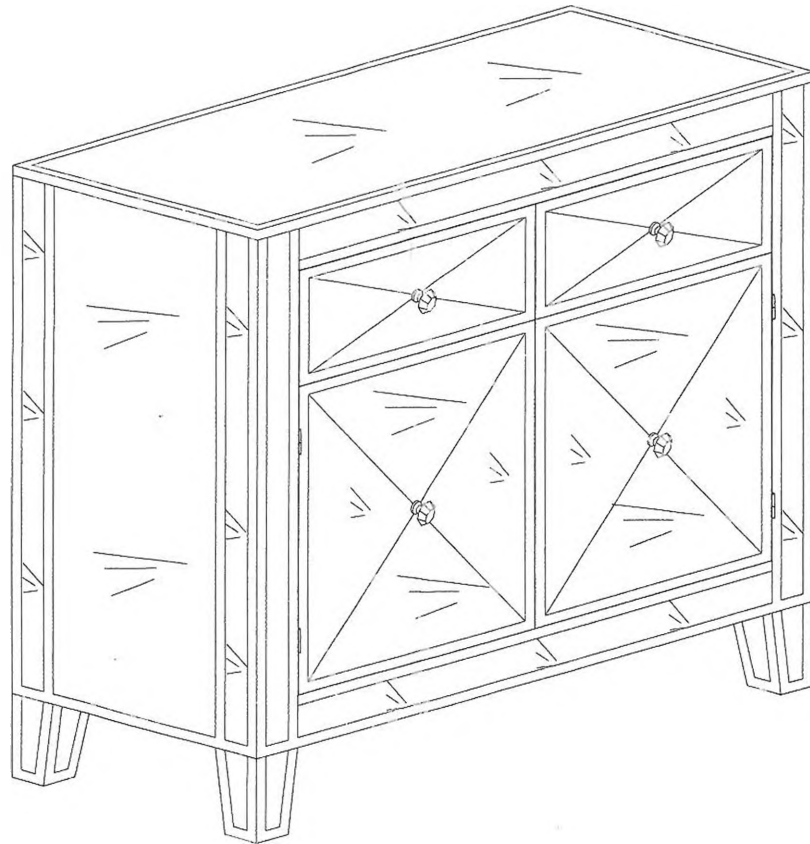


- Silver
- Bronze
- Blue
- Purple

Mirage Colored Mirror Cabinet

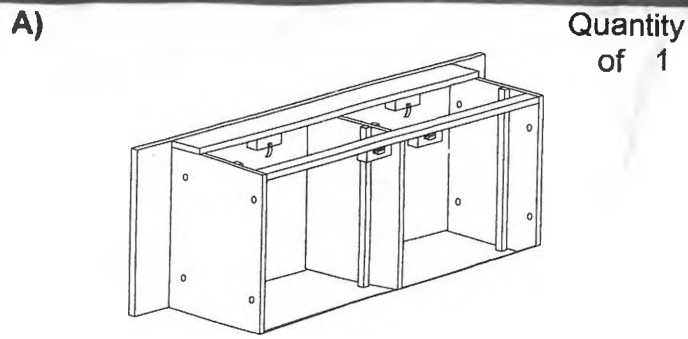
Assembly Instructions



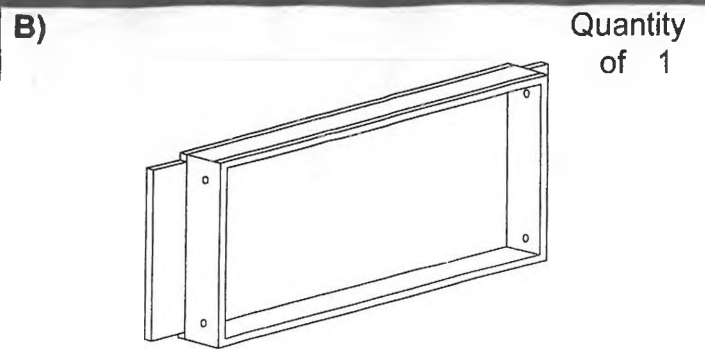
Mirage Colored Mirror Cabinet

Parts List

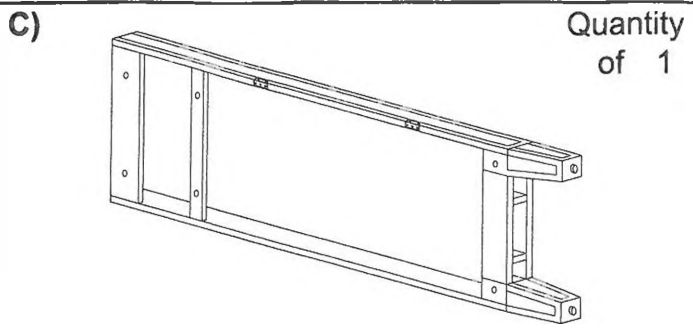
Please review all parts and hardware before disposing of any packaging. Before beginning assembly, separate each type of hardware. Carefully study the diagrams below and check that you have all parts indicated. Call Customer Service if missing hardware. Using the incorrect hardware will cause damage.



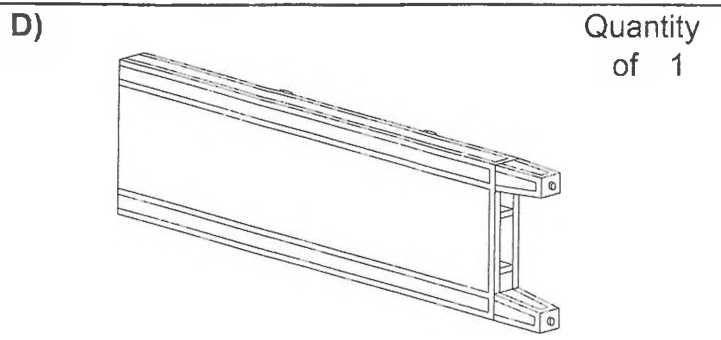
Top Frame



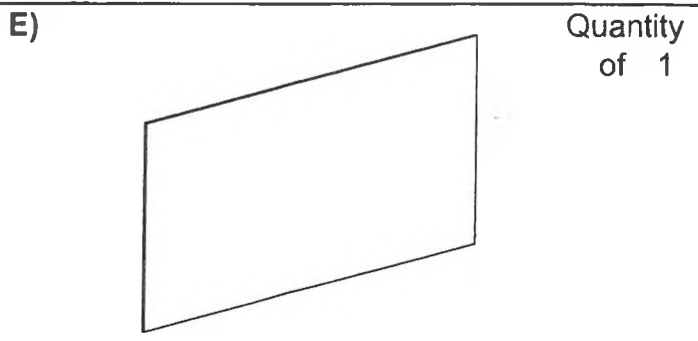
Bottom Frame



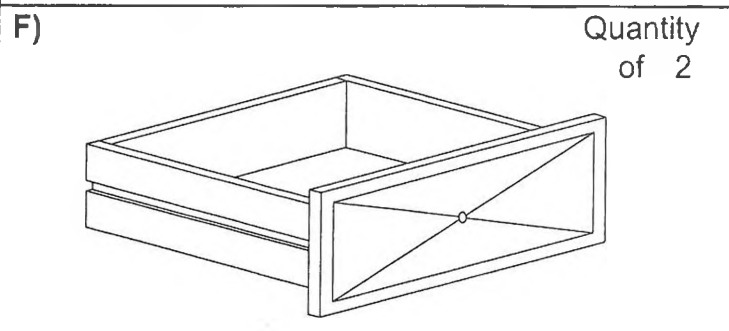
Right Frame



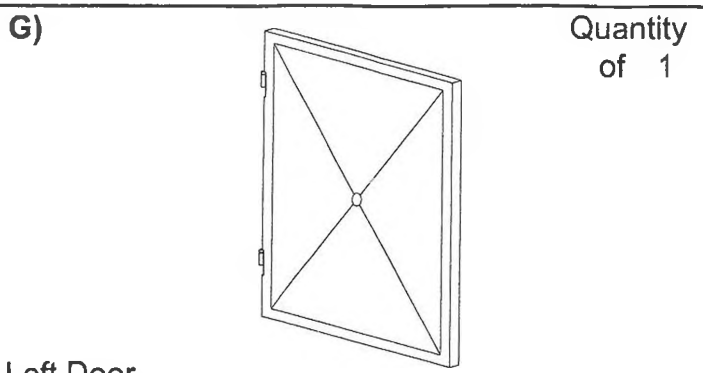
Left Frame



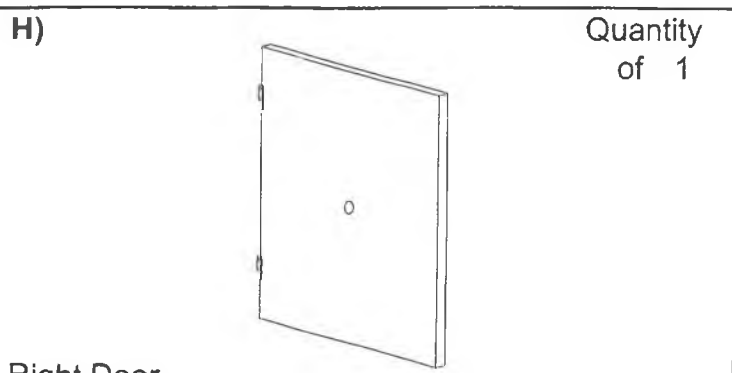
Back Panel



Drawers



Left Door

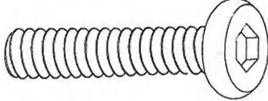
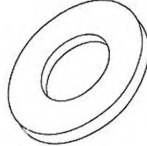


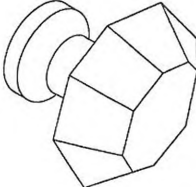



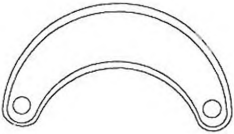
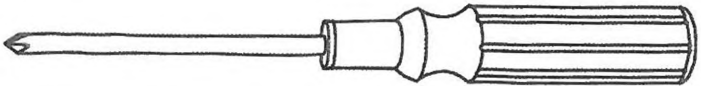


Right Door

Mirage Colored Mirror Cabinet

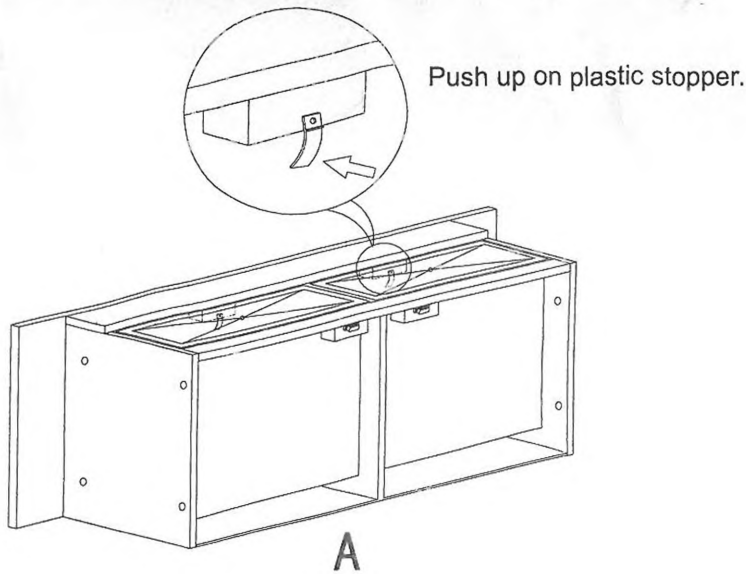
Parts List

Please review all parts and hardware before disposing of any packaging. Before beginning assembly, separate each type of hardware. Carefully study the diagrams below and check that you have all parts indicated. Call Customer Service if missing hardware. Using the incorrect hardware will cause damage.

<p>1)</p>  <p>Quantity of 12</p> <p>Bolts (Dia 5/16"x1-3/16"L)</p>	<p>2)</p>  <p>Quantity of 12</p> <p>Flat Washers</p>
<p>3)</p>  <p>Quantity of 1</p> <p>Allen Wrench</p>	<p>4)</p>  <p>Quantity of 2</p> <p>Short Bolts (Dia 5/32"x3/4"L)</p>
<p>5)</p>  <p>Quantity of 4</p> <p>Knobs</p>	<p>6)</p>  <p>Quantity of 4</p> <p>Plastic Washers</p>
<p>7)</p>  <p>Quantity of 2</p> <p>Long Bolts (Dia 5/32"x1"L)</p>	<p>8)</p>  <p>Quantity of 12</p> <p>Wood Screws (Dia 2.5mmx10mmL)</p>
<p>9)</p>  <p>Quantity of 6</p> <p>Metal Catches</p>	
<p>Care and Cleaning Instructions: Before using, wipe with a clean, dry cloth. Periodically apply furniture wax to renew the finish. Avoid rubbing or scratching the surface with rough or abrasive objects.</p>	
<p>Assembly Tool Required: No.2 Phillips Screwdriver (Not Included)</p>	

Mirage Colored Mirror Cabinet

Assembly Instructions



Start assembly with drawers removed. Push white stopper by hand, then remove drawers.

Attach Right Frame (**C**) to Top Frame (**A**) and Bottom Frame (**B**) with Bolts (**1**) and Flat Washers (**2**).

Tighten bolts with Allen Wrench (**3**).

Don't fully tighten bolts until Step 2 is complete.

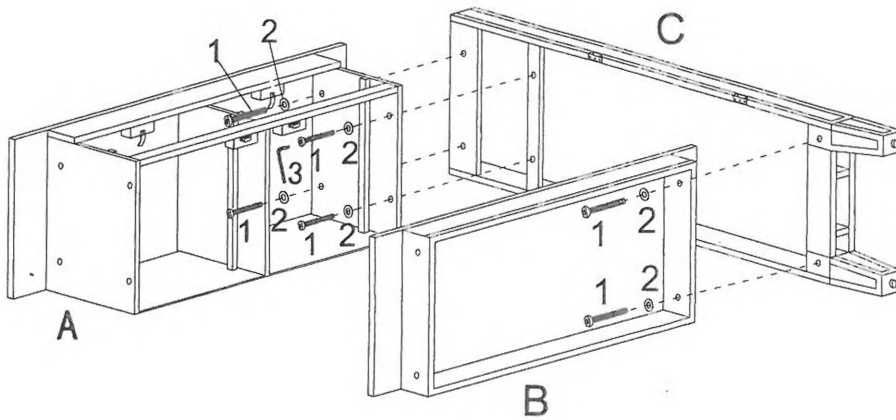
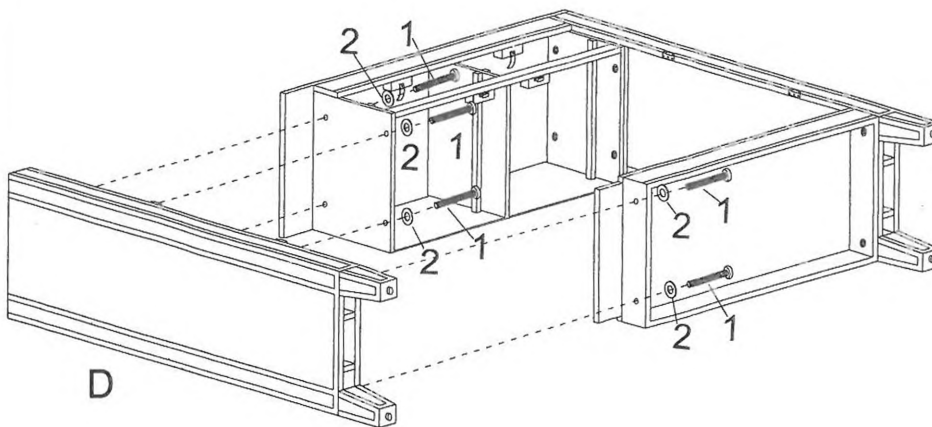


Figure 1



Attach Left Frame (**D**) to Top Frame (**A**) and Bottom Frame (**B**) with Bolts (**1**) and Flat Washers (**2**).

Tighten bolts with Allen Wrench (**3**).

Fully tighten all bolts. Be careful not to tighten too much as it may cause damage.

Figure 2

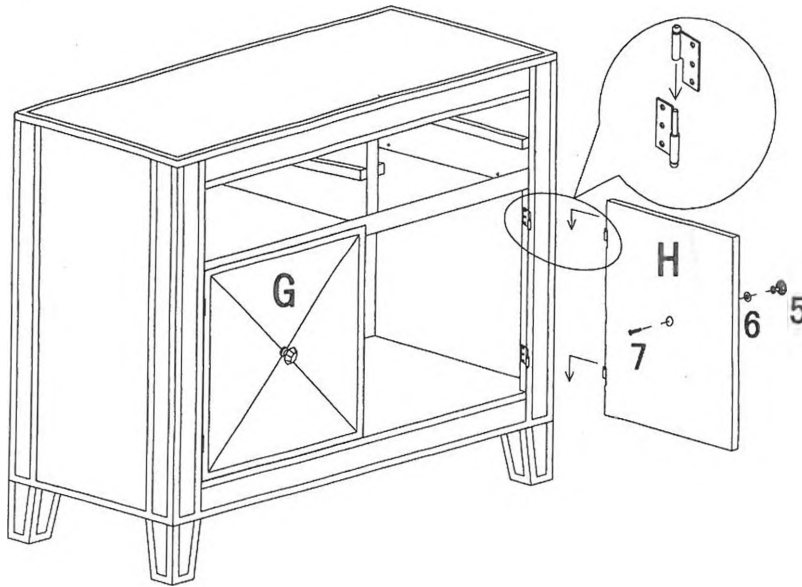


Figure 3

Attach Left Door (G) and Right Door (H) by aligning pre-installed male hinges on side panels with pre-installed female hinges on doors.

Attach Knobs (5) and Plastic Washers (6) to door with Long Bolts (7).

Tighten bolts with screwdriver.

Caution: Please do not over tighten knobs. Stop when they start to feel tight.

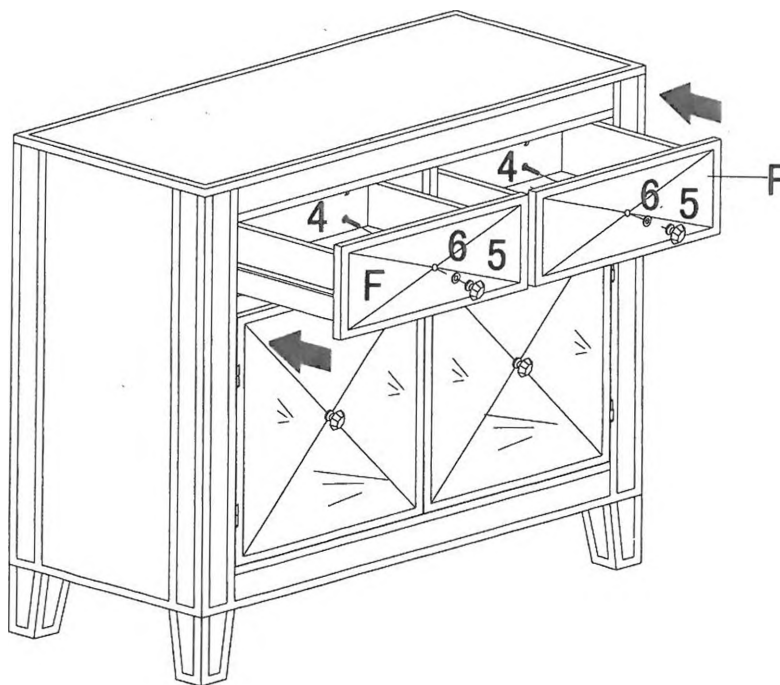


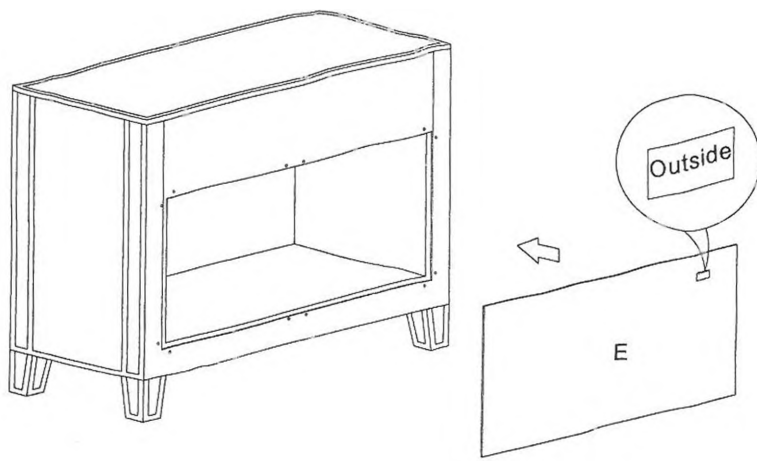
Figure 4

Insert drawers back into unit.

Attach Knobs (5) and Plastic Washers (6) to drawers with Short Bolts (4).

Tighten bolts with screwdriver.

Caution: Please do not over tighten knobs. Stop when they start to feel tight.



Place Back Panel (E) into opening in back of unit.

Attach Metal Catches (9) to Back Panel (E) with Wood Screws (8).

Tighten screws with screwdriver.

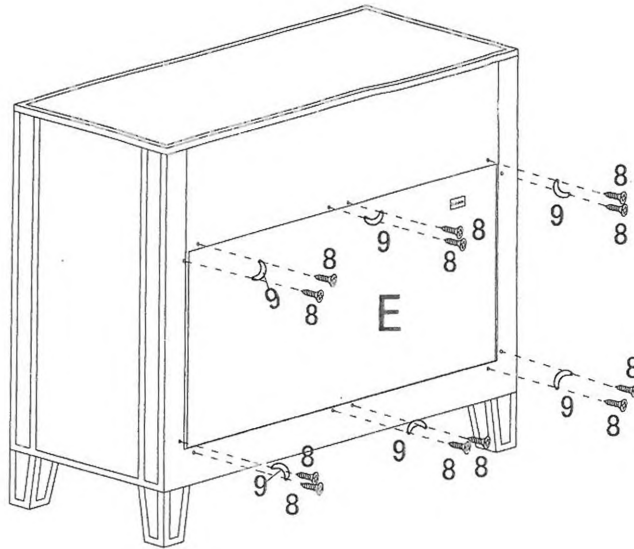
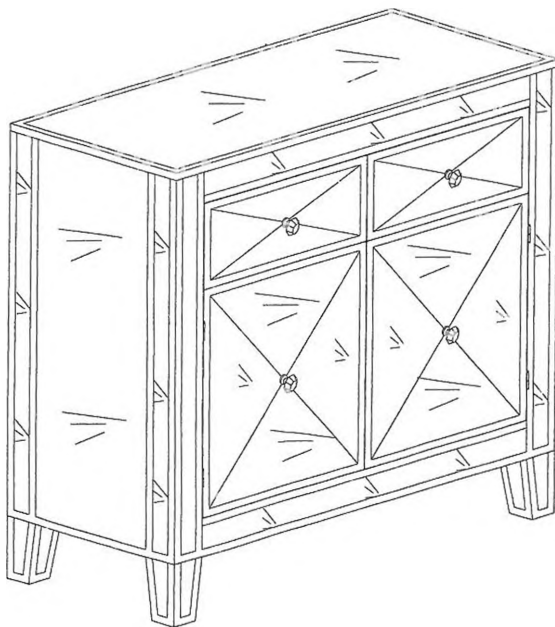


Figure 5



Now your new Mirage Colored Mirror Cabinet is ready to use!

Figure 6