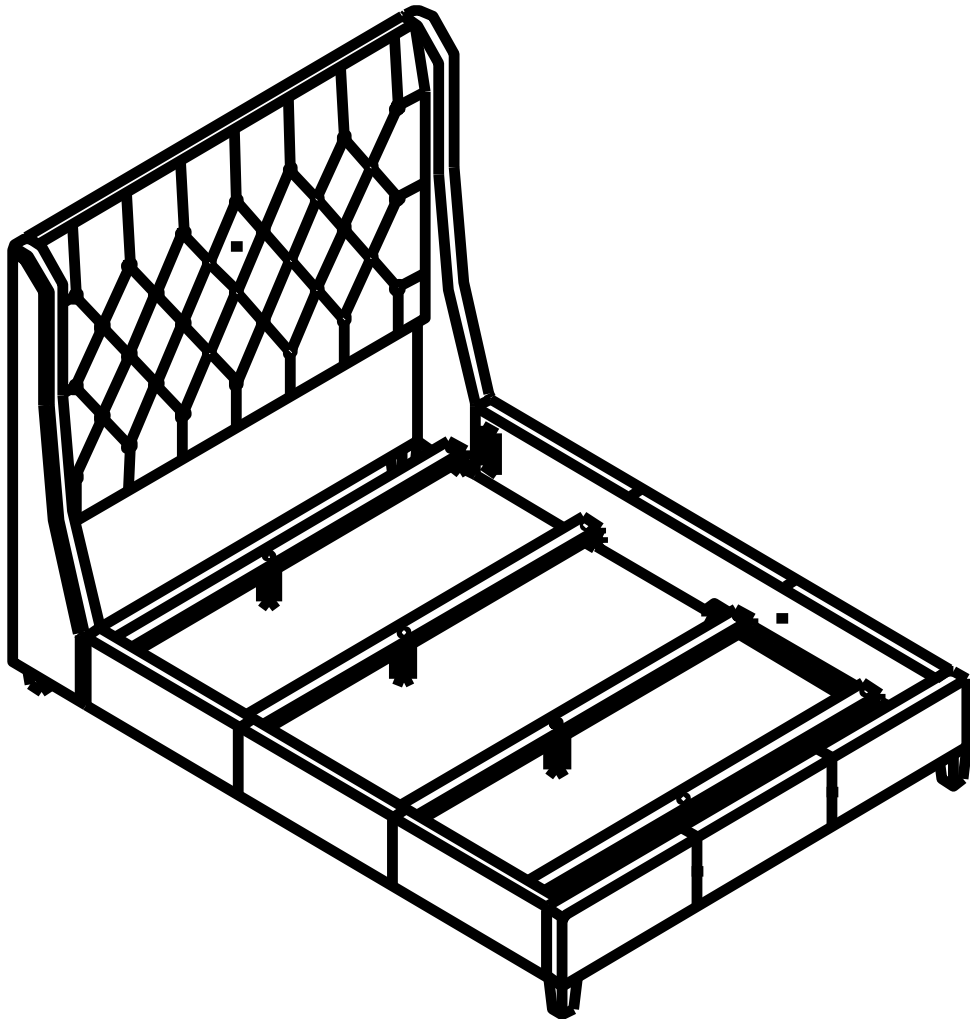


Product Instructions for:

Queen Upholstered Bed 1

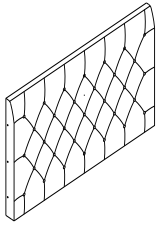
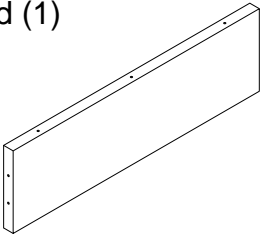
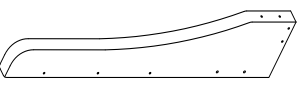
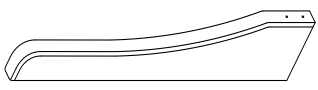
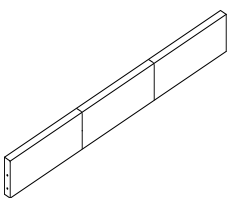
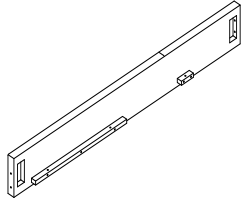
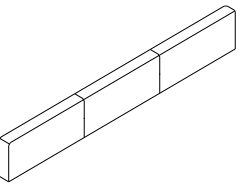
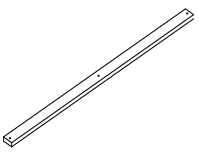
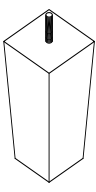

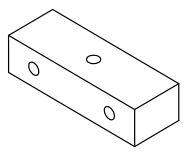


For assistance with assembly or questions contact:
Wayfair Customer Service, 877-WAYFAIR (877-929-3247) | www.wayfair.com
PAGE 1

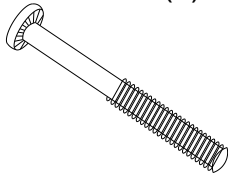
Queen Upholstered Bed 1

Before beginning assembly, separate all parts and carefully study the parts diagrams below. Review all parts and hardware before disposing of any packaging. You may receive extra hardware with your unit. Call Customer Service for missing hardware.

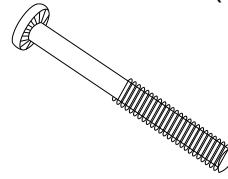
Parts list

A: Headboard (1) 	B: Base Headboard (1) 
C: Right Arm Post (1) 	D: Left Arm Post (1) 
E: Right Rail (1) 	F: Left Rail (1) 
G: Footboard (1) 	H: Slat (4) 
I: Leg (4) 	J: Support Leg (4) 
K: Support Block (2) 	

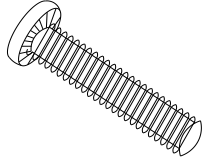
1: Bolt Dia. 1/4"x2-1/4"L (4)



2: Bolt Dia. 1/4"x2-3/8"L (10)



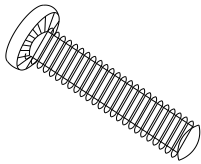
3: Bolt Dia. 1/4"x1-1/4"L (12)



4: Threaded Bolt Dia. 5/16"x4-1/4"L (8)



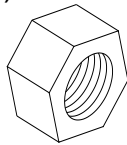
5: Bolt Dia. 5/16"x2"L (3)



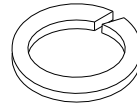
6: Flat Washer Dia. 5/16" (3)



7: Nut Dia. 5/16" (8)



8: Spring Washer Dia. 5/16" (11)



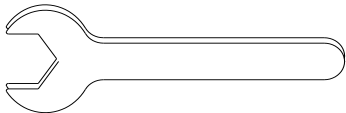
9: Allen Wrench (1)



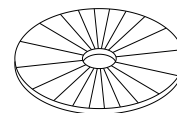
10: Metal Plate (4)



11: Wrench (1)



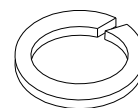
12: Tooth Lock Washer (4)



13: Flat Washer Dia. 1/4" (10)



14: Spring Washer Dia. 1/4" (10)



Queen Upholstered Bed 1

Assembly Instructions

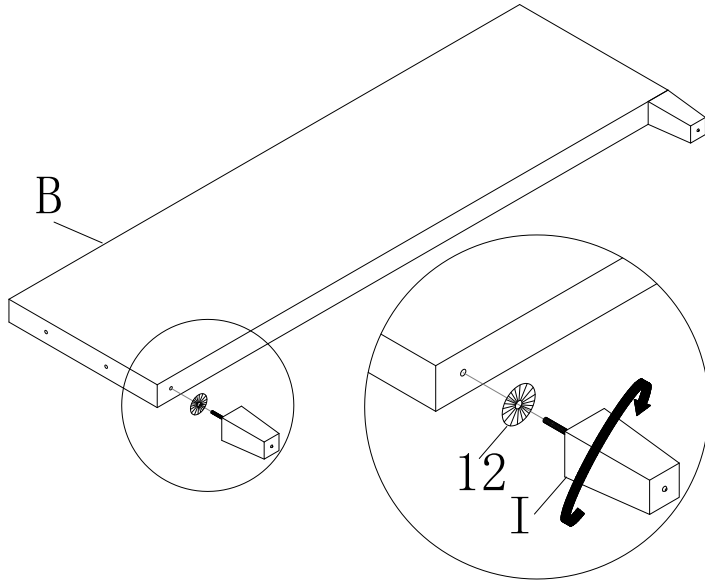


Figure 1

Step 1

Place a Tooth Lock Washer (12) onto the bolt on each Leg (I). Then, attach Legs (I) and Tooth Lock Washers (12) to Base Headboard (B) by inserting Legs (I) into the predrilled holes on Base Headboard (B) and rotating clockwise until Legs (I) are tight.

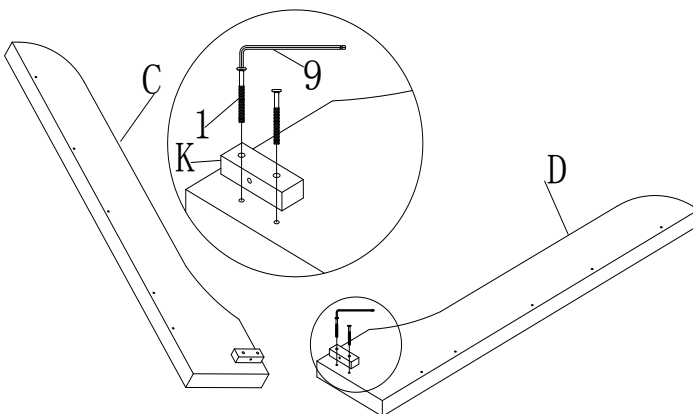


Figure 2

Step 2

Use Bolts (1) to connect Support Blocks (K) to Right Arm Post (C) and Left Arm Post (D) as shown in Figure 2.

Tighten Bolts (1) using Allen Wrench (9).

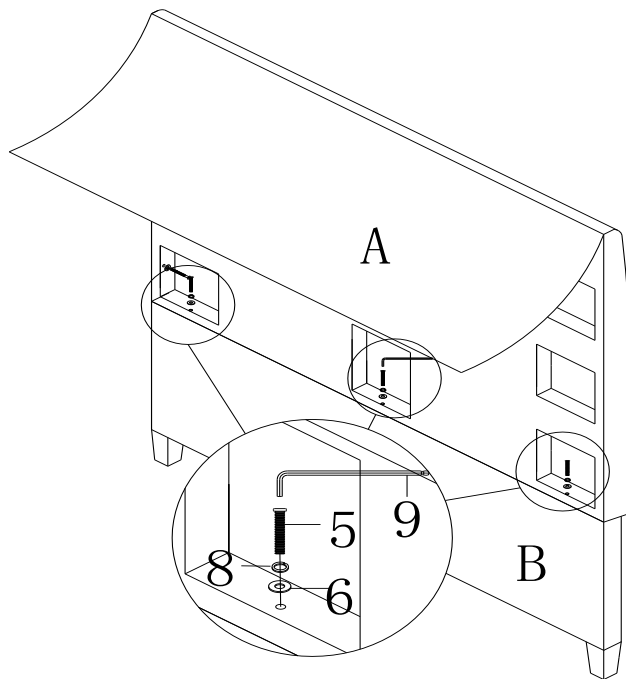


Figure 3

Step 3

Lift the velcro strip cover at the back of Headboard (A).

Using Bolts (5), Spring Washers (8) and Flat Washers (6), connect Headboard (A) to Base Headboard (B) as shown in Figure 3.

Tighten Bolts (5) using Allen Wrench (9).

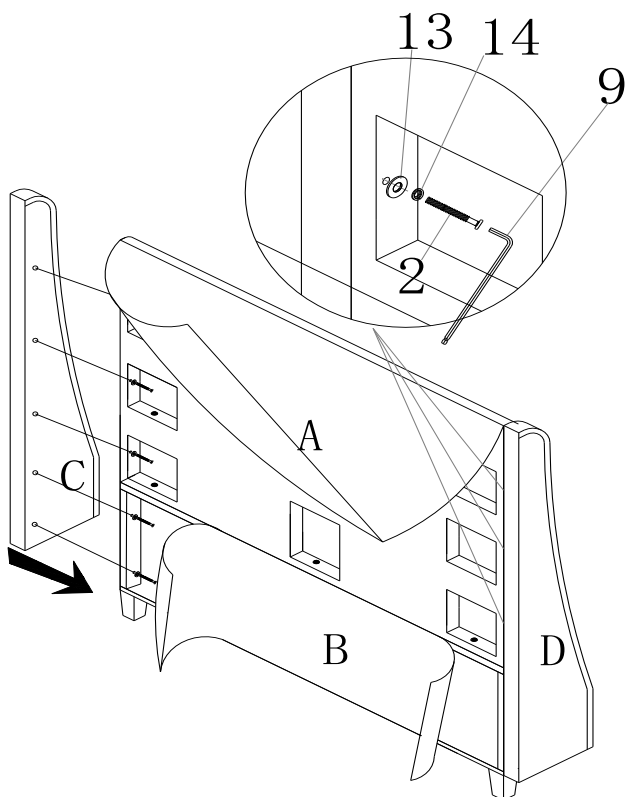


Figure 4

Step 4

Lift the velcro strip cover at the back of Base Headboard (B).

Attach Headboard (A) and Base Headboard (B) to Right Arm Post (C) and Left Arm Post (D) using Bolts (2), Spring Washers (14) and Flat Washers (13) as shown in Figure 4.

Tighten Bolts (2) using Allen Wrench (9).

Close the velcro strip covers.

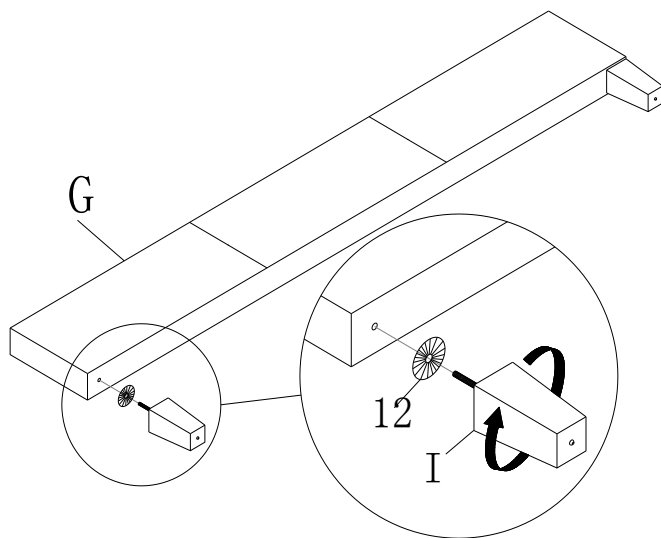


Figure 5

Step 5

Place a Tooth Lock Washer (12) onto the bolt on each Leg (I). Then, attach Legs (I) and Tooth Lock Washers (12) to Footboard(G) by inserting Legs (I) into the predrilled holes on Footboard(G) and rotating clockwise until Legs (I) are tight.

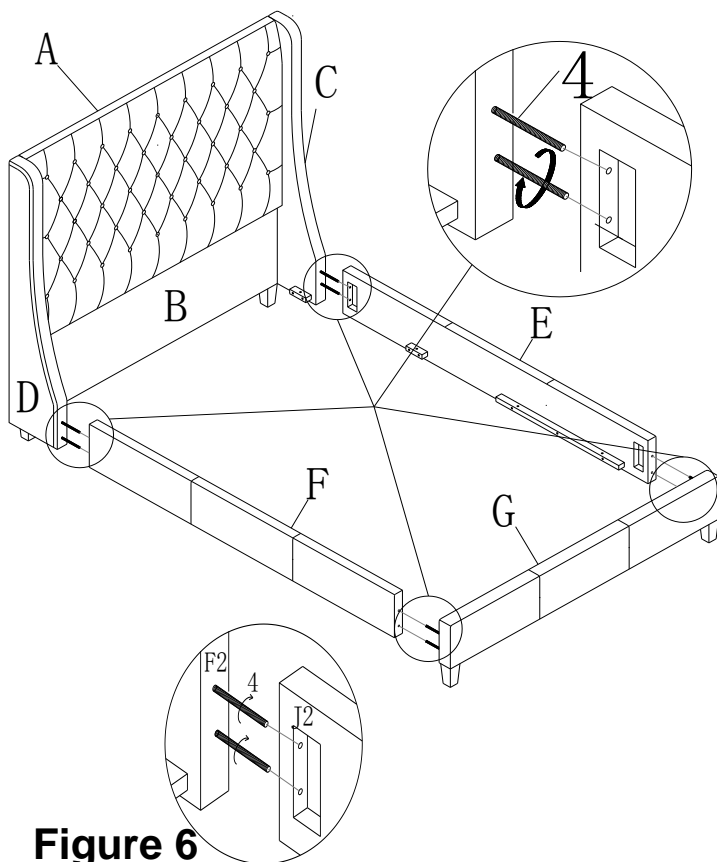


Figure 6

Step 6

Screw Threaded Bolts (4) into predrilled holes on Right Arm Post (C) and Footboard (G). Attach Right Rail (E) to Right Arm Post (C) and Footboard (G) by inserting exposed part of Threaded Bolts (4) into predrilled holes on Right Rail (E).

Repeat process on left side.

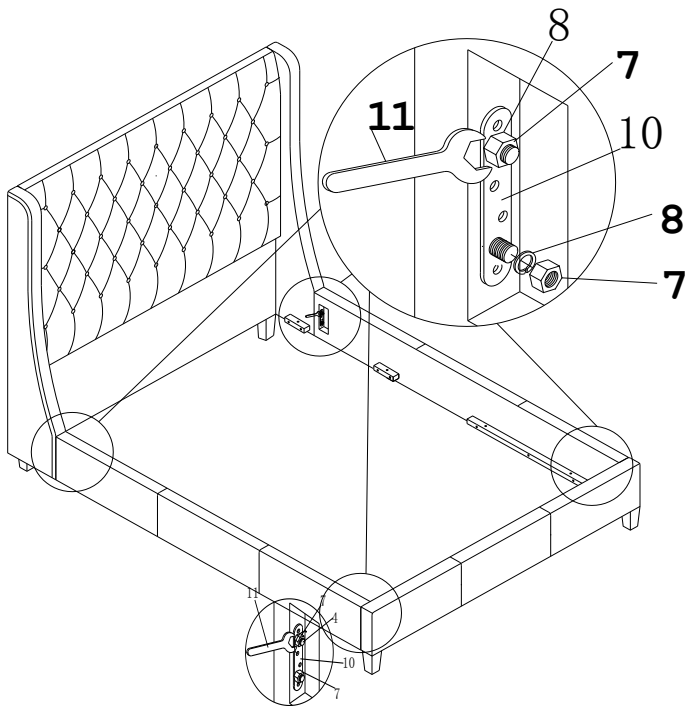


Figure 7

Step 7

Insert a Metal Plate (10) into each cavity on Right Rail (E), placing Metal Plates (10) onto exposed ends of Threaded Bolts (4).

Use Nuts (7) and Spring Washers (8) to secure Right Rail (E) as shown in Figure 7.

Tighten Nuts (7) using Wrench (11).

Repeat process on left side.

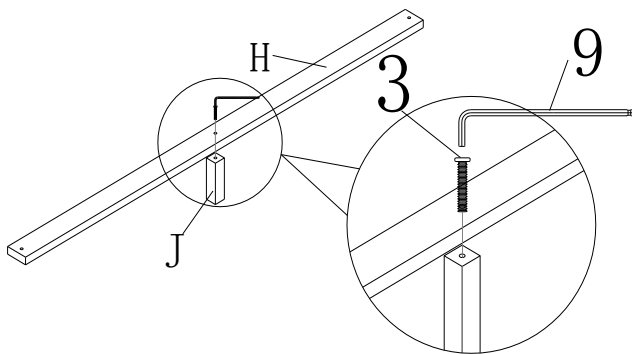


Figure 8

Step 8

Attach Support Legs (J) to Slats (H) using Bolts (3).

Tighten Bolts (3) using Allen Wrench (9).

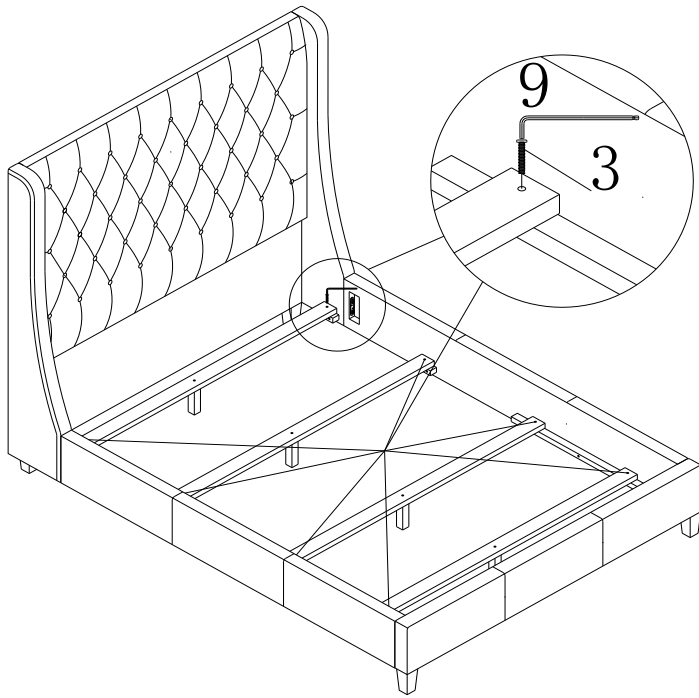


Figure 9

Step 9

Align Slat (H)/Leg (J) units from Figure 8 with predrilled holes on the inside of bedframe Rails (E & F).

Use Bolts (3) to secure Slat (H)/Leg (J) units to Rails (E & F).

Tighten Bolts (3) using Allen Wrench (9).

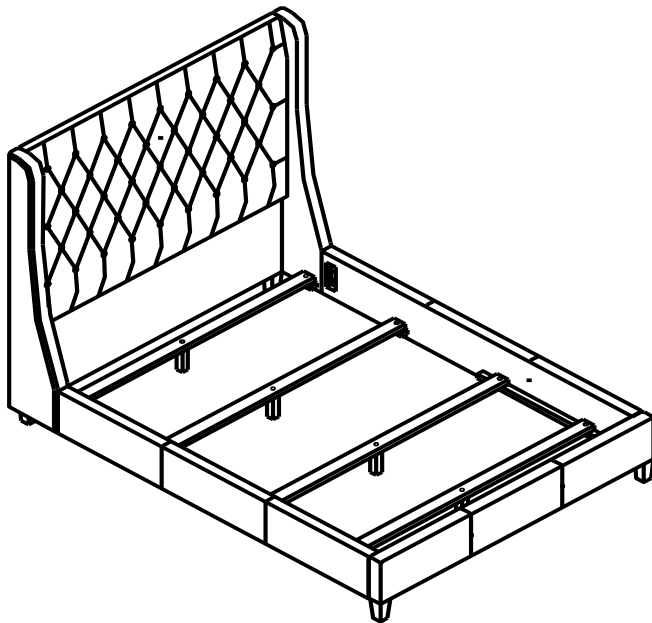


Figure 10

Step 10

Now your Queen Upholstered Bed 1 is ready to use!