

Octagon Table Set with 4 Stools & Striped Umbrella

Assembly Instructions

Item # 00042



3-8



CAUTION: Adult Assembly
Required due to the presence of
small parts and sharp edges.



WARNING: CHOKING HAZARD
Unassembled parts may be a choking hazard
to children 3 years of age and younger.

USE AND MAINTENANCE:

- Use on level surfaces only
- Please check assembly at regular intervals, and frequently tighten hardware if necessary. If maintenance is not carried out, the product could cease to function

Octagon Table Set with 4 Stools & Striped Umbrella

Assembly Instructions

Item # 00042

A. Bolt x 16 pcs



1 9/16 in. / 40mm

B. Bolt x 8 pcs



2 3/16 in. / 55mm

C. Bolt x 12 pcs



2 9/16 in. / 65mm

D. Bolt x 8 pcs



2 15/16 in. / 75mm

E. Countersunk
Washer x 40 pcs



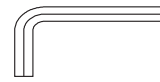
F. Cross Dowel
Nut x 16 pcs



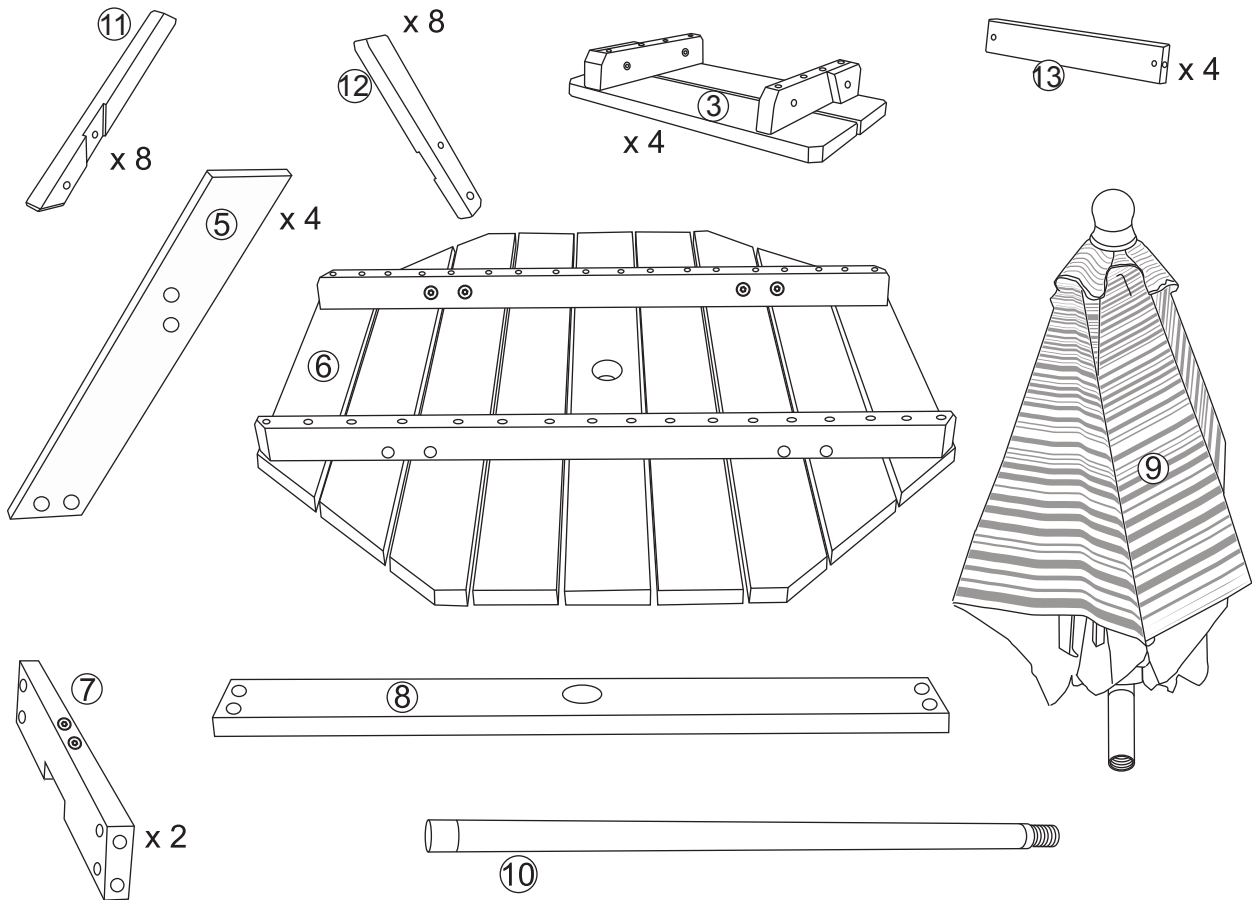
G. Washer
x 4 pcs



Allen Wrench x 1 pc

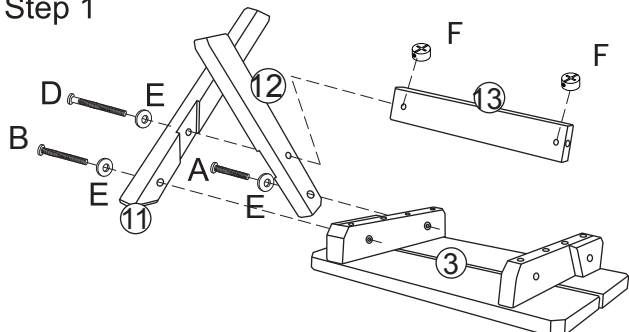


PARTS LIST

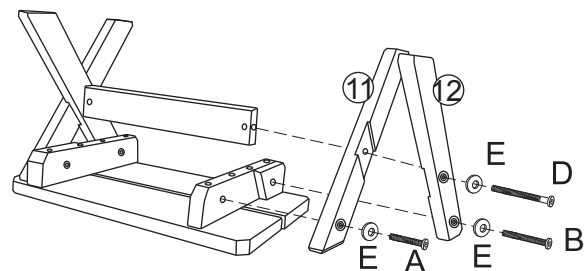


Bench Assembly

Step 1



Step 2

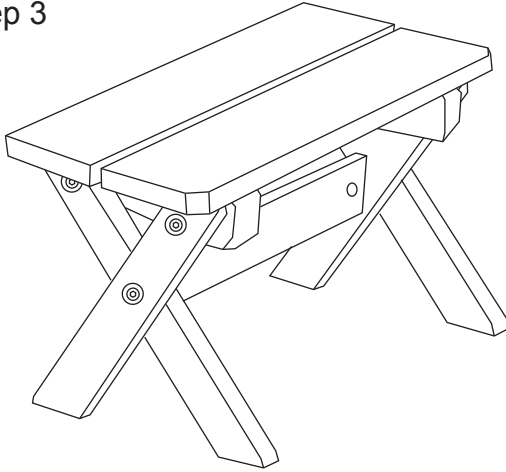


Octagon Table Set with 4 Stools & Striped Umbrella

Assembly Instructions

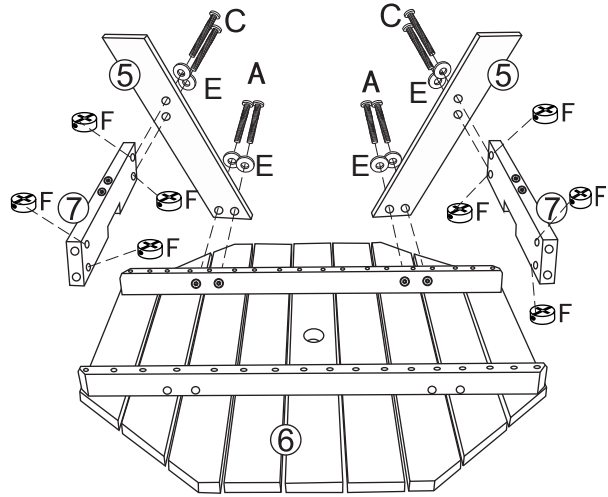
Item # 00042

Step 3

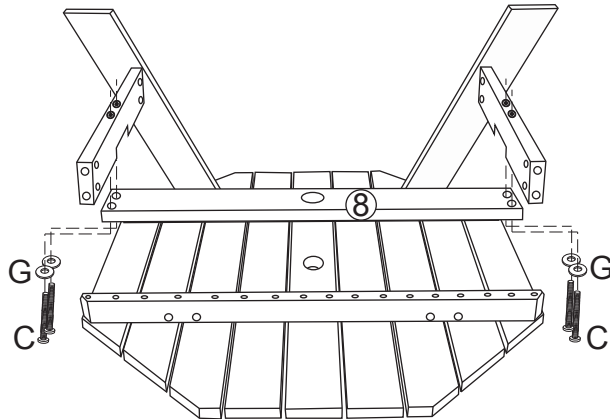


Repeat steps 1 and 2 for the other 3 benches

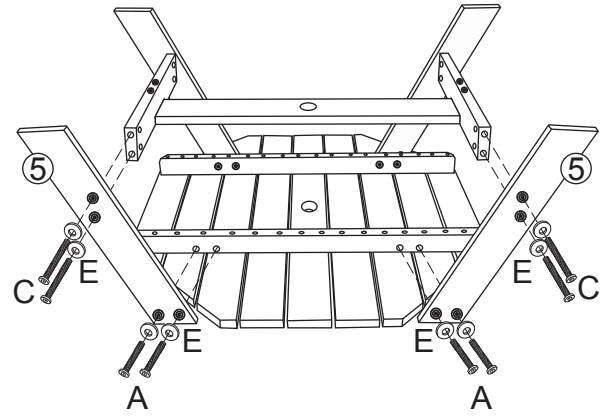
Table Assembly
Step 1



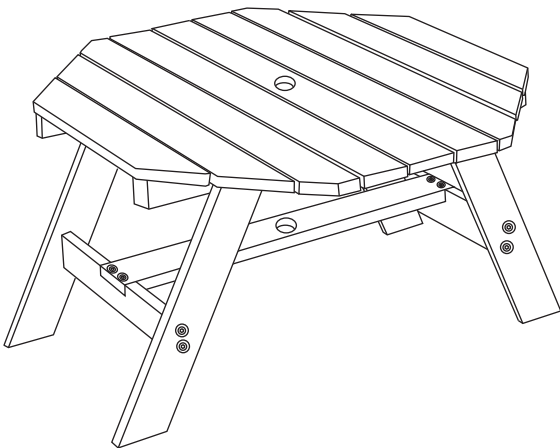
Step 2



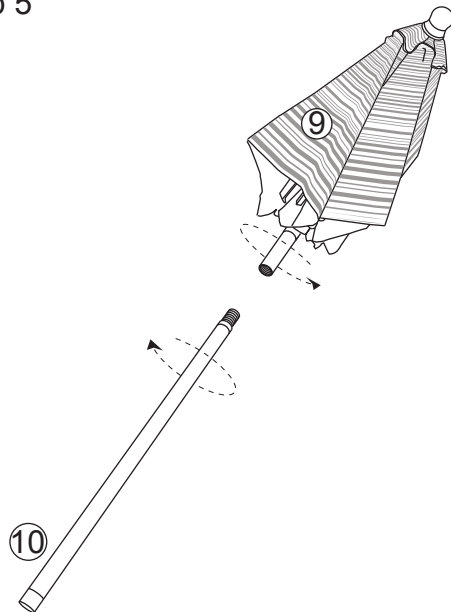
Step 3



Step 4



Step 5

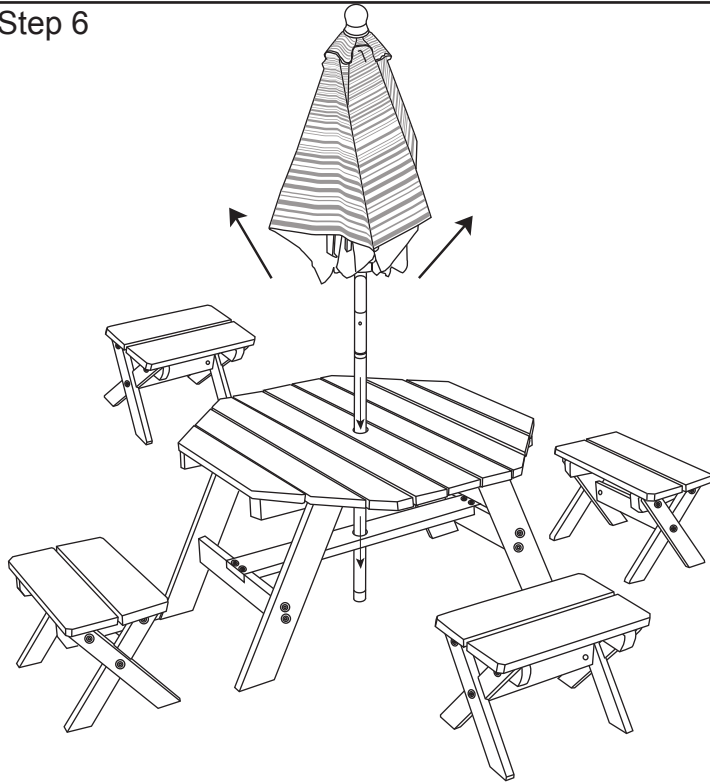


Octagon Table Set with 4 Stools & Striped Umbrella

Assembly Instructions

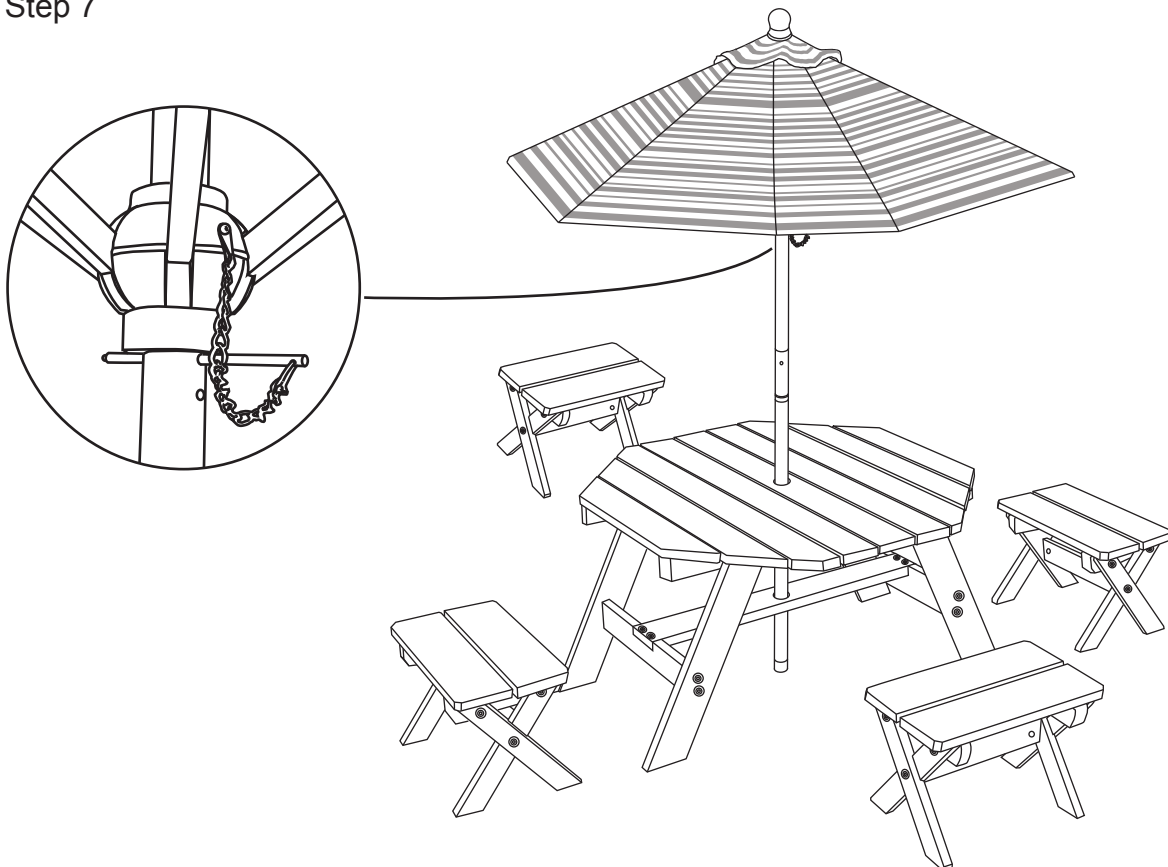
Item # 00042

Step 6



Remove cover for washing
Contents: Polyester
Machine wash cold
Do not bleach
Please see care tag for umbrella

Step 7





IMPORTANT SAFETY NOTICE

THIS PRODUCT IS INTENDED FOR THE USE AND ENJOYMENT OF CHILDREN AGES THREE AND UP. IT HAS BEEN SPECIFICALLY DESIGNED AND TESTED FOR USE BY CHILDREN OF THAT AGE RANGE. PARENTAL SUPERVISION AND INSPECTION IS ALWAYS REQUIRED TO PREVENT INJURY AND MISUSE OR DEGRADATION OF THE PRODUCT, REGARDLESS OF THE AGE OF THE CHILD. USE OF THE PRODUCT BY PERSONS OTHER THAN CHILDREN OF THE INTENDED AGE MAY RESULT IN INJURY TO THE USER OR BYSTANDER OR BREAKAGE OF THE TABLE AND CHAIR SET. CONTINUED PARENTAL SUPERVISION AND INSPECTION IS VITAL TO THE SAFE USE OF THE PRODUCT AS PARTS MAY BREAK OFF OR COME LOOSE OVER TIME AND DURING USE, AND SHARP EDGES MAY RESULT FROM MISUSE, HEAVY USE, AGE OF THE PRODUCT, OR THE ENVIRONMENT, INCLUDING RECURRING HEAT, COLD AND WATER. TO SAFEGUARD THE CHILD AND PROLONG THE SAFE LIFE OF THE PRODUCT, FOLLOW THE ENCLOSED ASSEMBLY AND MAINTENANCE INSTRUCTIONS CAREFULLY AND HONOR ALL WARNINGS. INSPECT FOR LOOSE, UNSTABLE, SHARP AND BROKEN PARTS FREQUENTLY. DO NOT PERMIT CHILDREN TO CLIMB OR JUMP OFF UNIT. SHOULD YOU HAVE ANY QUESTIONS OR CONCERNS, CONTACT KIDKRAFT CUSTOMER SERVICE AT 1-800-933-0771. REPLACEMENT PARTS MAY BE AVAILABLE FREE OF CHARGE.

MAINTENANCE

THIS IS AN OUTDOOR WOOD PRODUCT THAT NATURALLY WEATHERS WITH AGE. TO ENSURE OPTIMAL, LONG-TERM DURABILITY AND FUN, TREATMENT WITH AN OIL-BASED OUTDOOR WOOD SEALER IS REQUIRED. WOOD SEALER CAN BE PURCHASED AT YOUR LOCAL HARDWARE STORE, AND SHOULD BE APPLIED AT FIRST SIGNS OF WEATHERING.

IF YOU HAVE ANY QUESTIONS REGARDING MAINTENANCE AND CARE OF YOUR PRODUCT, PLEASE FEEL FREE TO CALL US AT 1-800-933-0771.

TO PROLONG THE LIFE OF YOUR OUTDOOR ITEM, PLEASE STORE OUT OF DIRECT SUNLIGHT OR EXPOSURE TO EXTREME WEATHER.

SOLE AND LIMITED WARRANTY

THIS PRODUCT IS WARRANTED SOLELY AGAINST MANUFACTURING DEFECTS FOR A PERIOD OF 90 DAYS FROM THE DATE OF PURCHASE, WHICH WARRANTY RUNS ONLY TO THE ORIGINAL USER OF THE PRODUCT. IN THE EVENT OF A MANUFACTURING DEFECT, THE PRODUCT WILL BE REPLACED OR THE PURCHASE PRICE REFUNDED, AT THE ELECTION OF THE MANUFACTURER. TO ACTIVATE AND PROTECT THIS WARRANTY, PRESERVE EVIDENCE OF ORIGINAL PURCHASE AND CAREFULLY INSPECT THE CONDITION OF THE PRODUCT PRIOR TO AND AFTER ASSEMBLY, LOOKING FOR MISSING, DEGRADED, BROKEN, IMPROPERLY SIZED OR HAZARDOUS PARTS, INCLUDING PARTS WHICH CAN BE SWALLOWED BY A CHILD, CAUSE A CHILD TO CHOKe, OR OTHERWISE CAUSE INJURY. SUCH PARTS MAY INCLUDE LOOSE SCREWS, EXPOSED NAILS OR SHARP EDGES. SHOULD YOU OBSERVE ANY DEFECTS, DO NOT USE THE PRODUCT AND IMMEDIATELY NOTIFY THE MANUFACTURER. FAILURE TO DO SO SHALL CONSTITUTE MISUSE. MISUSE, IMPROPER ASSEMBLY, FAILURE TO HONOR A WARNING, FAILURE TO SUPERVISE, INSPECT OR MAINTAIN THE PRODUCT, OR DAMAGE TO THE PRODUCT, WHETHER INTENTIONAL OR INADVERTENT, SHALL INVALIDATE THIS WARRANTY.

TO SUBMIT A WARRANTY CLAIM PLEASE CONTACT KIDKRAFT CUSTOMER SERVICE AT 1-800-933-0771 FOR INSTRUCTIONS ON HOW TO PROVIDE PROOF OF PURCHASE AND HOW TO RETURN THE ITEM FREIGHT PRE-PAID.

CUSTOMER SERVICE 1-800-933-0771

www.kidkraft.com