



Slatted Toddler Bed

Assembly Instructions

The mattress intended for use on the bed shall be a full-size crib mattress having minimum dimensions of 51 5/8 in. (1310 mm) in length, and 27 1/4 in. (690 mm) in width and 4 in. (100 mm) in thickness.
DO NOT USE FOR INFANTS. The toddler bed is intended for a child over 15 months old and less than 50 lbs. (22.7kg).
Before assembly, inspect toddler bed for damaged hardware, loose joints, missing pieces or sharp edges.
DO NOT use bed if any parts are missing or damaged. Do not substitute parts.







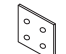




Item #86922B, 86923A
86925A, 86926A, 86927

© 2011 KidKraft, LP

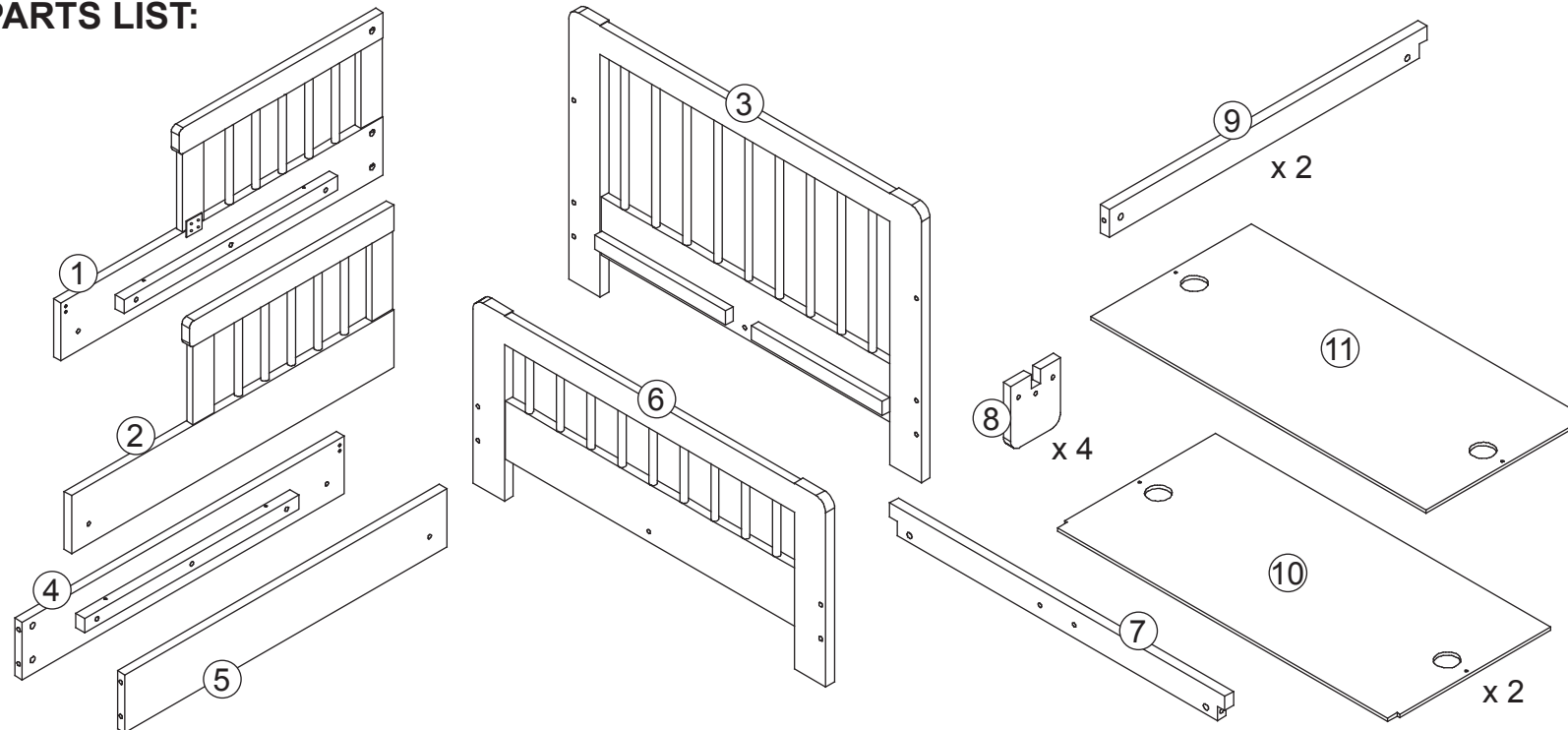
Please retain this information for future reference

To order replacement parts, please visit www.kidkraft.com

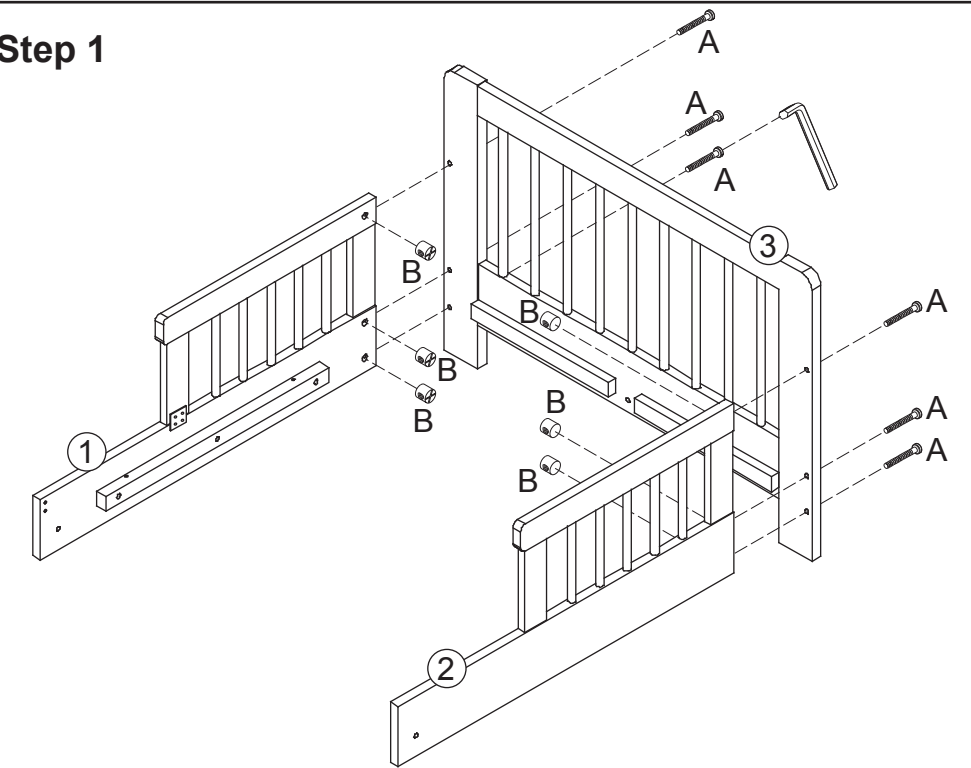
HARDWARE:

- A. Cross Dowel Bolt x 18 pcs
 (2 1/8 in / 54 mm)
 - B. Cross Dowel Nut x 16 pcs

 - C. Wood Screw x 8 pcs
 (13/16 in / 20 mm)
 - D. Cross Dowel Bolt x 4 pcs
 (1 3/8 in / 35 mm)
 - E. Nylon Lock Nut x 6 pcs

 - F. Screw x 8 pcs
 (1/2 in / 12 mm)
 - G. Metal Plate x 2 pcs

 - Wrench x 1 pc

 - Allen Wrench x 1 pc

- The following tools (not included) are required for assembly:
-  Phillips® screwdriver
 -  Flathead screwdriver

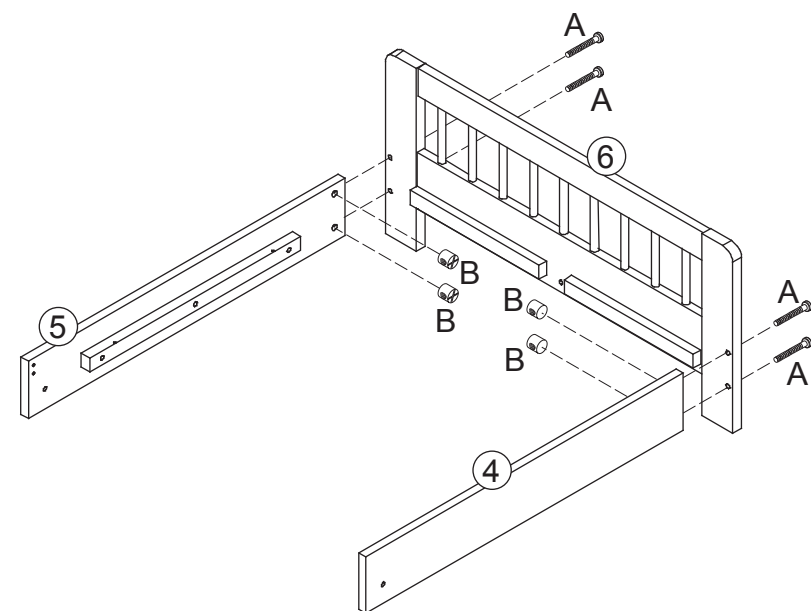
PARTS LIST:



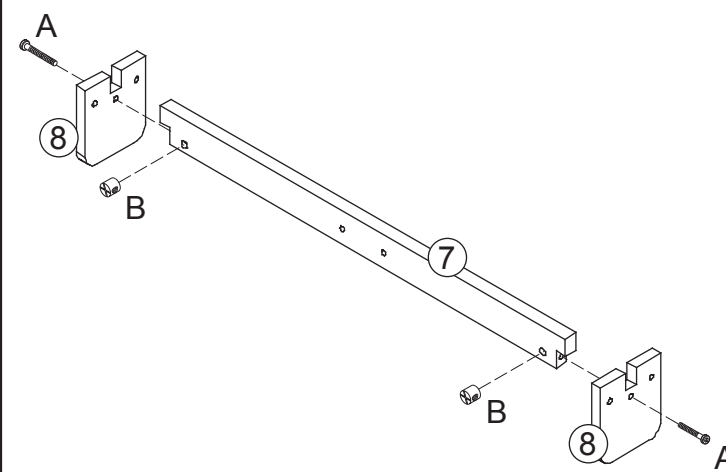
Step 1



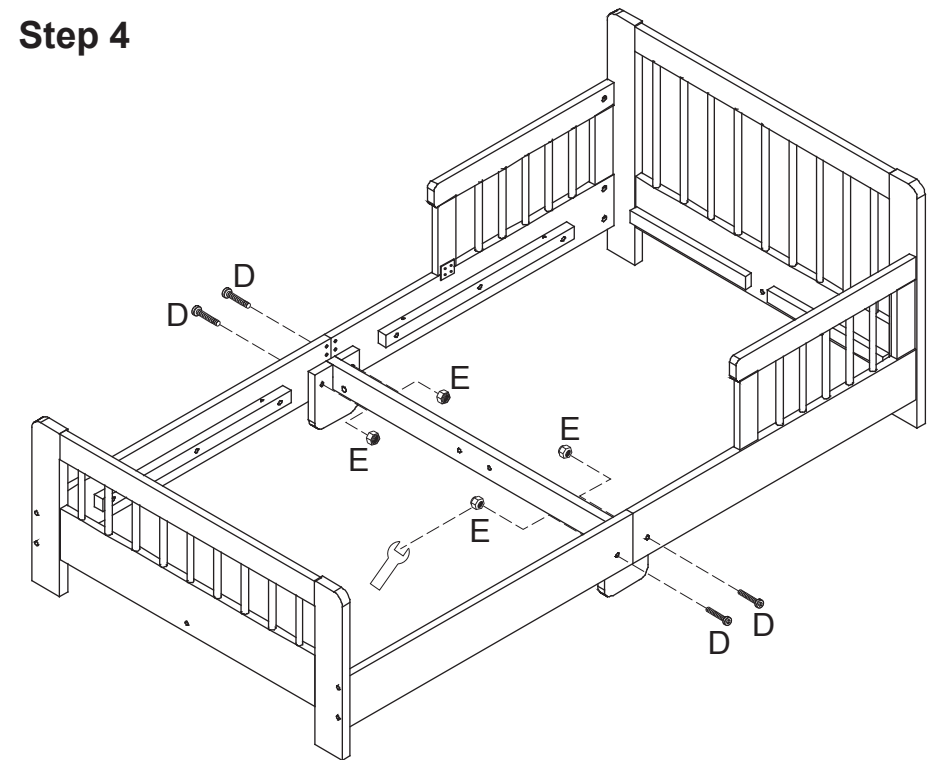
Step 2



Step 3



Step 4



WARNING: ADULT ASSEMBLY REQUIRED. Product includes small parts with potentially hazardous sharp points and sharp edges in the unassembled state. Keep unassembled parts away from children.

WARNING: CHOKING HAZARD. Small parts and sharp points, not suitable for children under 3 years.

USE AND MAINTENANCE:
-Use on level surfaces only
-Please check assembly at regular intervals, and frequently tighten hardware if necessary. If maintenance is not carried out, the product could cease to function properly.

WARNING: ENTRAPMENT/STRANGULATION HAZARD
Infants have died in toddler beds from entrapment and strangulation. Failure to follow these warnings and the assembly instructions could result in serious injury or death.

DO NOT place bed near windows where cords from blinds or drapes may strangle a child.
DO NOT place items with a string, cord, or ribbon around a child's neck, such as hood strings or pacifier cords.
DO NOT suspend strings over a toddler bed for any reason.

Customer Service
1-800-933-0771
www.kidkraft.com

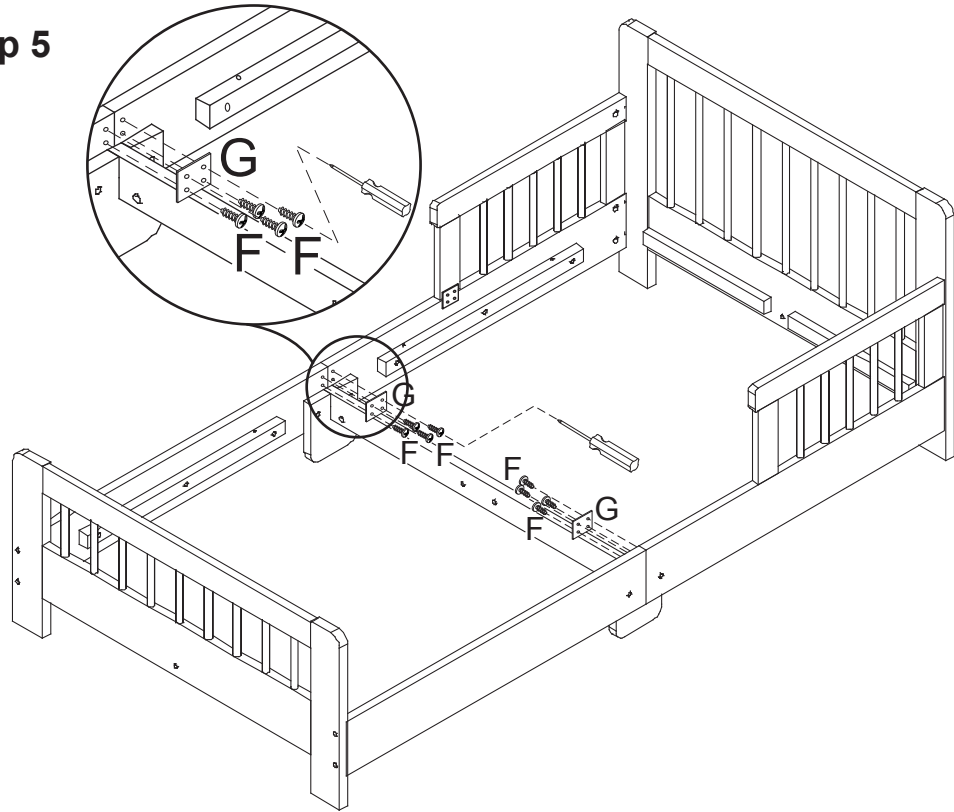


Slatted Toddler Bed

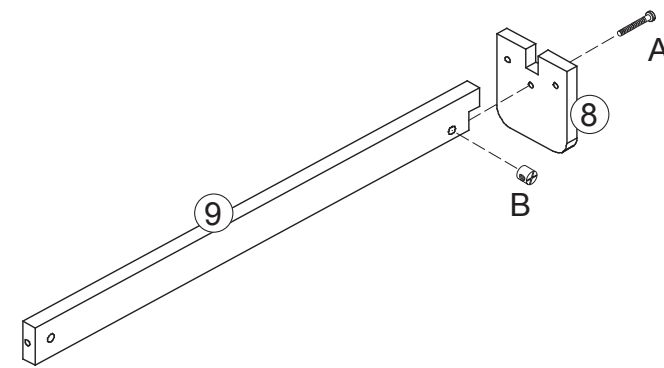
Assembly Instructions

Item #86922B, 86923A
86925A, 86926A, 86927

Step 5

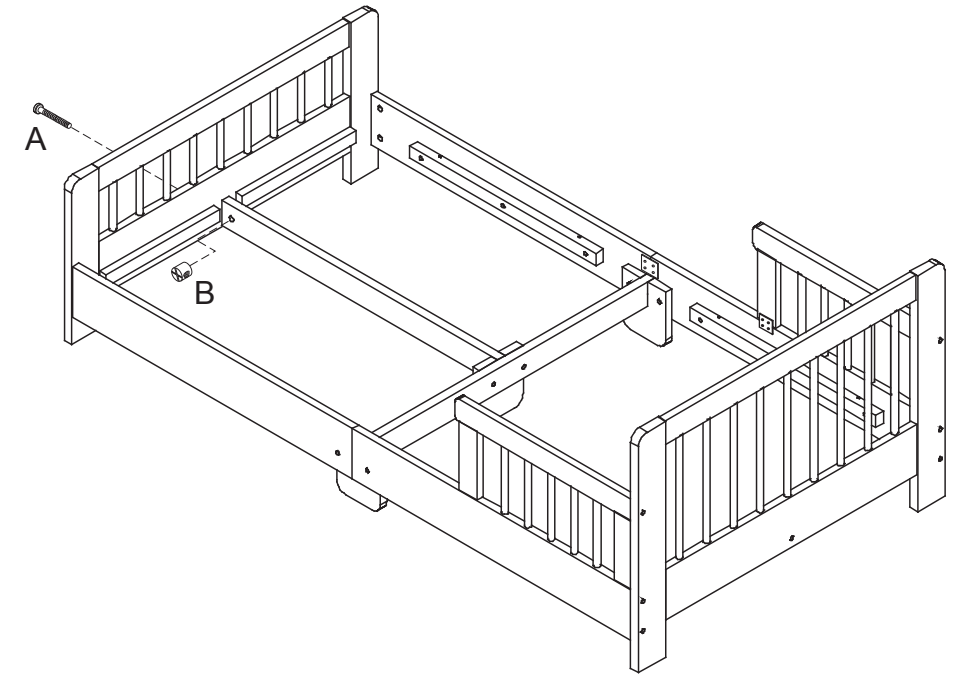


Step 6

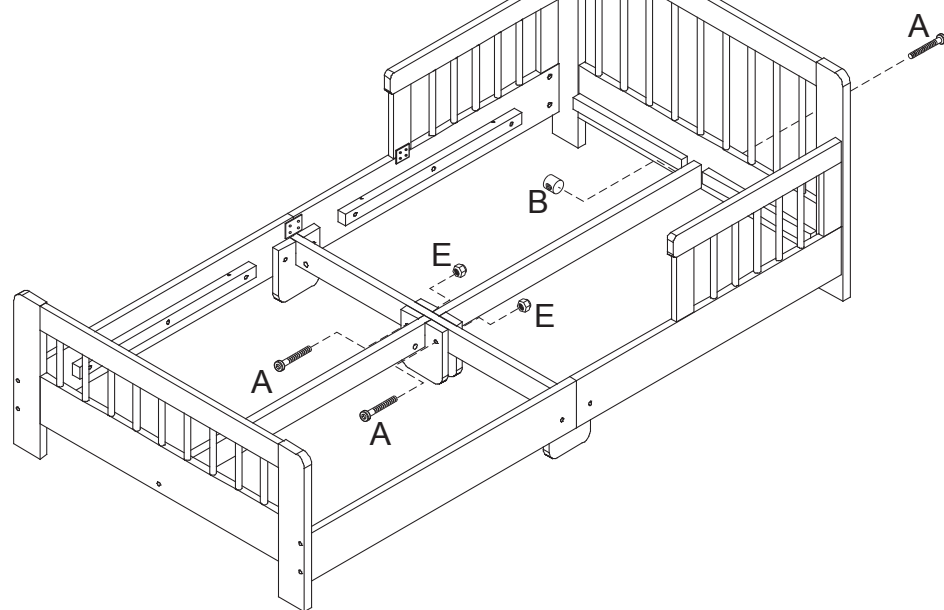


* Repeat Step 6 for part 8 and part 9

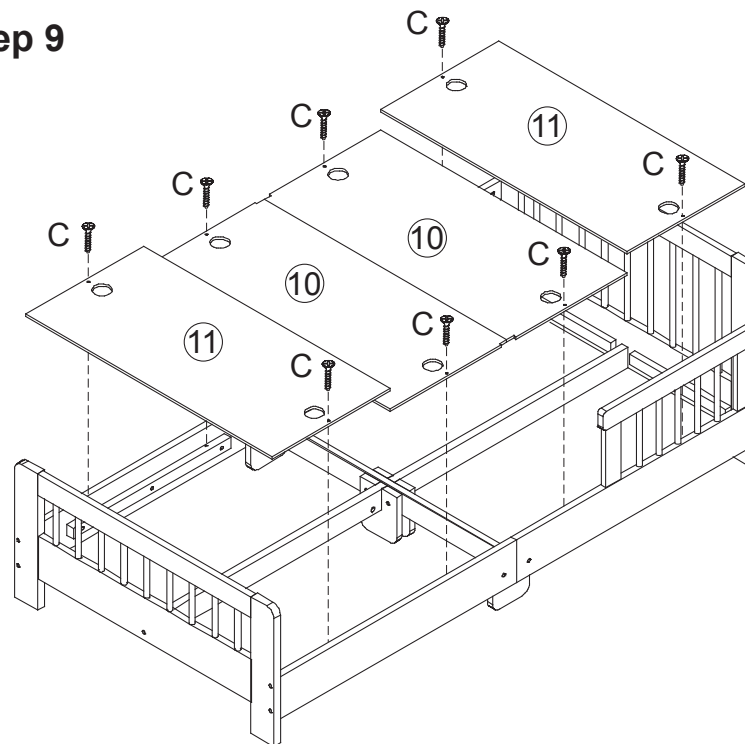
Step 7



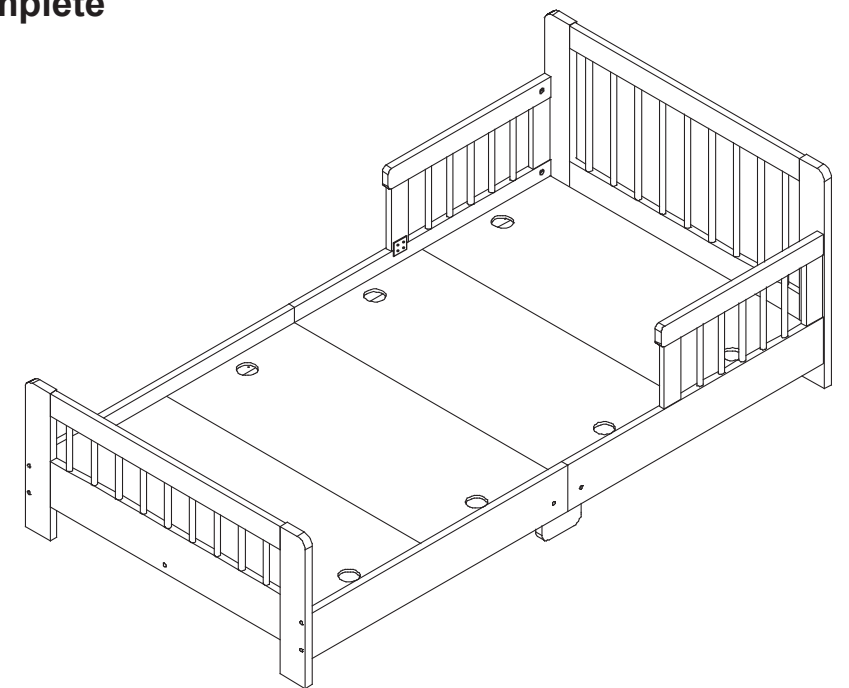
Step 8



Step 9



Complete



Before calling customer service, please locate the batch code number (example: 105906/65006/04) found on the bottom or back of your product.

Customer Service
1-800-933-0771
www.kidkraft.com