

MODEL: 080824-1-FINISH
080824-3-FINISH

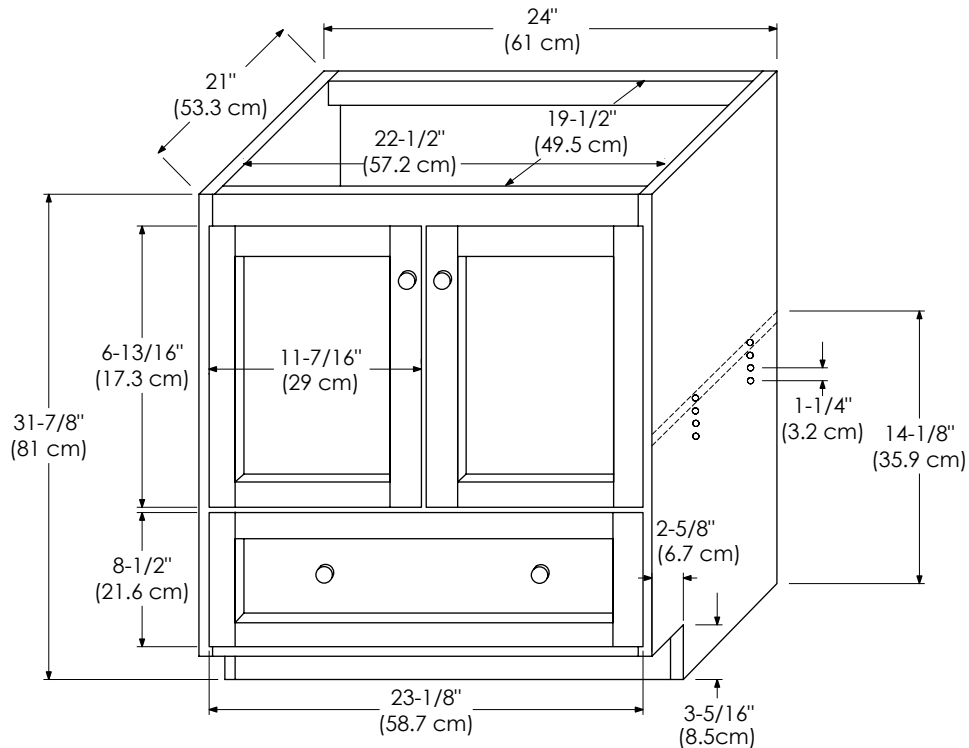
SPECIFICATION SHEET

MODULAR COLLECTION
OLD VERSION

- Soft Close Wood or Frosted Glass doors
- Soft Close and Full Extension drawers with Dovetail Construction
- Side mount glides
- Matching Finish throughout the Interior
- Extend design with Optional 12", 15" & 18" Drawer Bank and 15" & 18" Linen Hutch
- Matching Mirror, Medicine Cabinet and Wall Cabinet

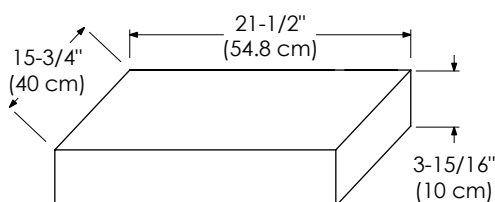
All Ronbow cabinets are made of solid hardwood or hardwood plywood and meet strict CARB Standards. No particle Board or Micro-Density Fiberboard (MDF) are used.

- | | | |
|---------------------|---------------------|-----------------|
| Available finishes: | Available fronts: | Available tops: |
| DARK CHERRY H01 | FROSTED GLASS DOORS | CERAMIC SINKTOP |
| WHITE W01 | WOOD DOORS | STONE COUNTER |
| | | TECHSTONE™ TOP |
| | | WIDEAPPEAL™ TOP |

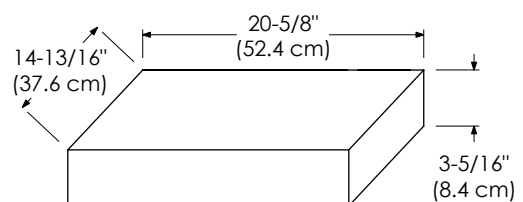


DRAWER

Exterior dimensions



Inner dimensions



The shaker vanity will transition to new specs. Please contact Ronbow customer service for more information.

MODEL: 080824-1-FINISH
080824-3-FINISH

SPECIFICATION SHEET

MODULAR COLLECTION
NEW VERSION

- Soft Close Wood or Frosted Glass doors
- Soft Close and Full Extension drawers with Dovetail construction
- Undermount glides
- Matching finish throughout the interior
- Extend design with Optional 12", 15" & 18" Drawer Bank and 15" & 18" Linen Hutch
- Optional Drawer Organizer
- Matching Mirror, Medicine Cabinet, Overjohn Cabinet and Wall Cabinet

All Ronbow cabinets are made of solid hardwood or hardwood plywood and meet strict CARB Standards. No particle Board or Micro-Density Fiberboard (MDF) are used.

Available finishes:

DARK CHERRY H01

WHITE W01

Available fronts:

FROSTED GLASS DOORS

WOOD DOORS

Available tops:

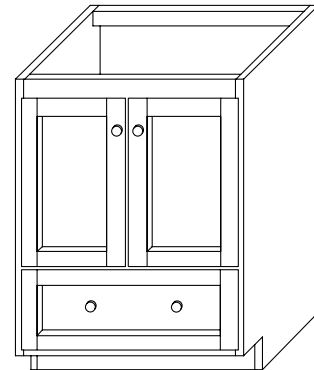
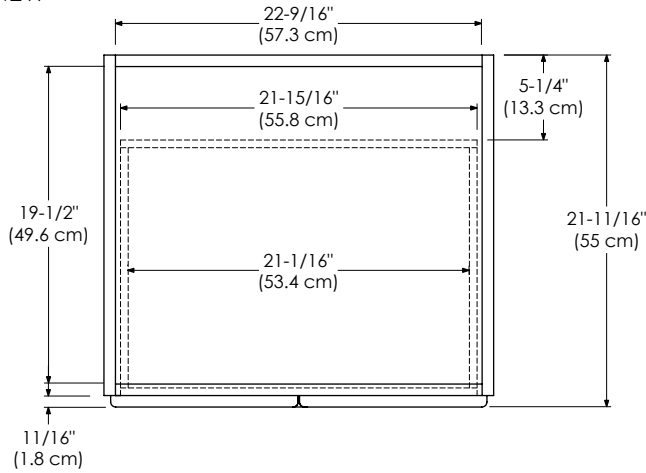
CERAMIC SINKTOP

STONE COUNTER

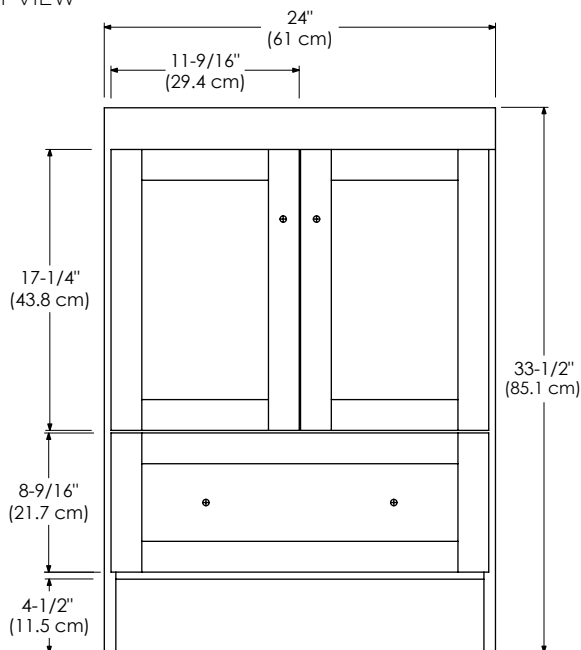
TECHSTONE™ TOP

WIDEAPPEAL™ TOP

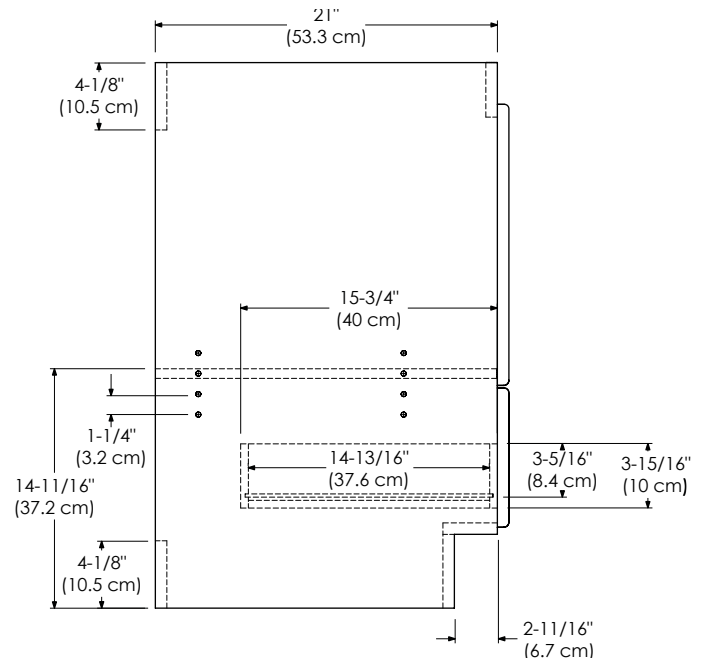
TOP VIEW



FRONT VIEW



SIDE VIEW



This spec sheet refers to the updated Shaker vanity. Please contact Ronbow customer service if you have questions.

MODEL: 080830-1-FINISH
080830-3-FINISH

SPECIFICATION SHEET

MODULAR COLLECTION
OLD VERSION

- Soft Close Wood or Frosted Glass doors
- Soft Close and Full Extension drawers with Dovetail Construction
- Side mount glides
- Matching Finish throughout the Interior
- Extend design with Optional 12", 15" & 18" Drawer Bank and 15" & 18" Linen Hutch
- Matching Mirror, Medicine Cabinet and Wall Cabinet

All Ronbow cabinets are made of solid hardwood or hardwood plywood and meet strict CARB Standards.
No particle Board or Micro-Density Fiberboard (MDF) are used.

Available finishes:

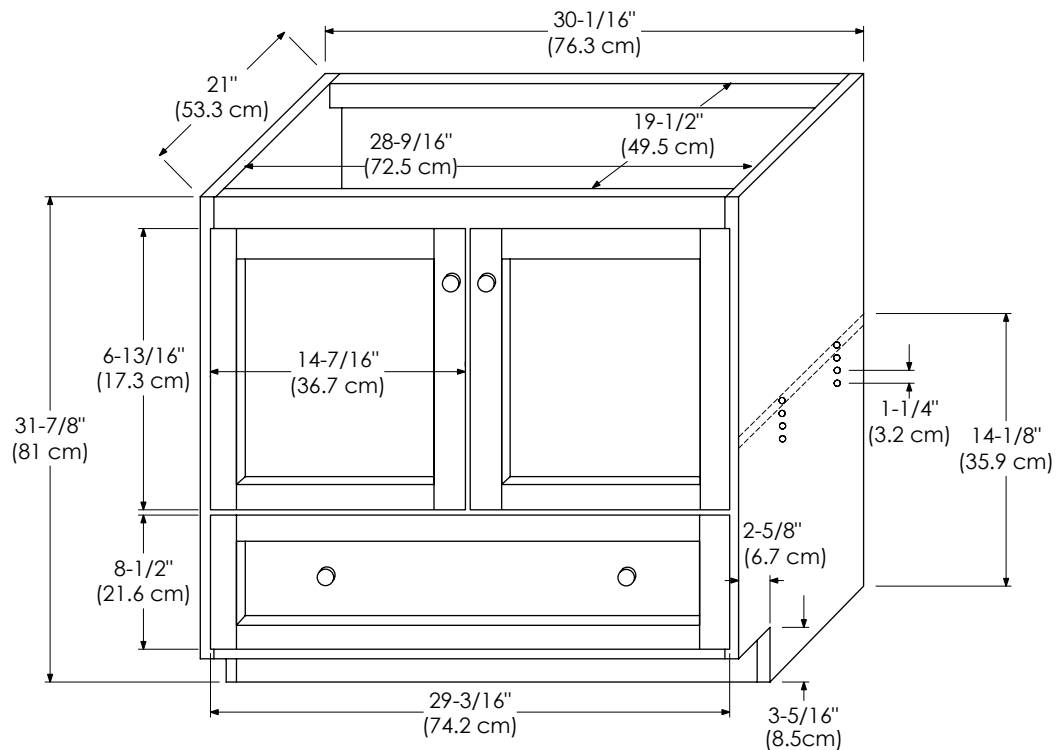
- DARK CHERRY H01
- WHITE W01

Available fronts:

- FROSTED GLASS DOORS
- WOOD DOORS

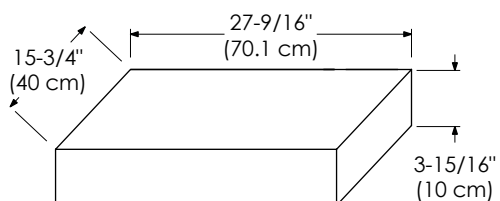
Available tops:

- CERAMIC SINKTOP
- STONE COUNTER
- TECHSTONE™ TOP
- WIDEAPPEAL™ TOP

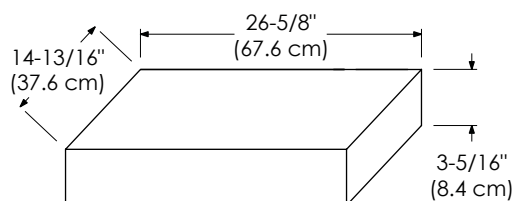


DRAWER

Exterior dimensions



Inner dimensions



The shaker vanity will transition to new specs. Please contact Ronbow customer service for more information.

MODEL: 080830-1-FINISH
080830-3-FINISH

SPECIFICATION SHEET

MODULAR COLLECTION
NEW VERSION

- Soft Close Wood or Frosted Glass doors
- Soft Close and Full Extension drawers with Dovetail construction
- Undermount glides
- Matching finish throughout the interior
- Extend design with Optional 12", 15" & 18" Drawer Bank and 15" & 18" Linen Hutch
- Optional Drawer Organizer
- Matching Mirror, Medicine Cabinet, Overjohn Cabinet and Wall Cabinet

All Ronbow cabinets are made of solid hardwood or hardwood plywood and meet strict CARB Standards. No particle Board or Micro-Density Fiberboard (MDF) are used.

Available finishes:

- DARK CHERRY H01
- WHITE W01

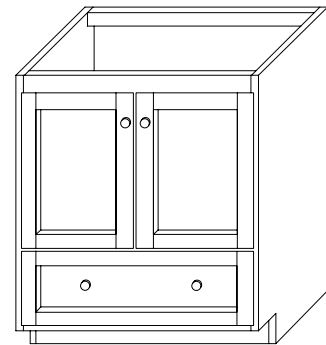
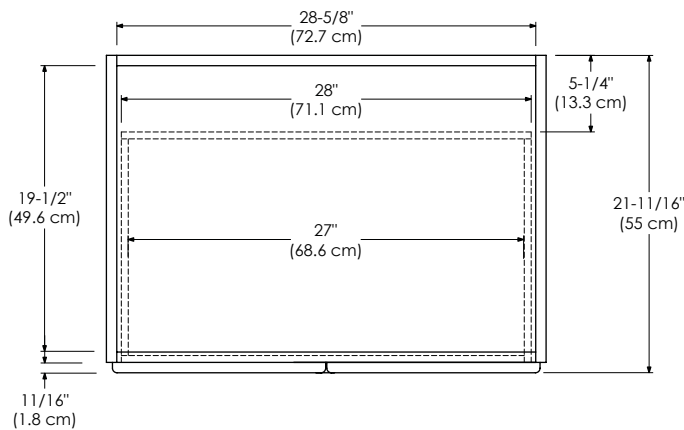
Available fronts:

- FROSTED GLASS DOORS
- WOOD DOORS

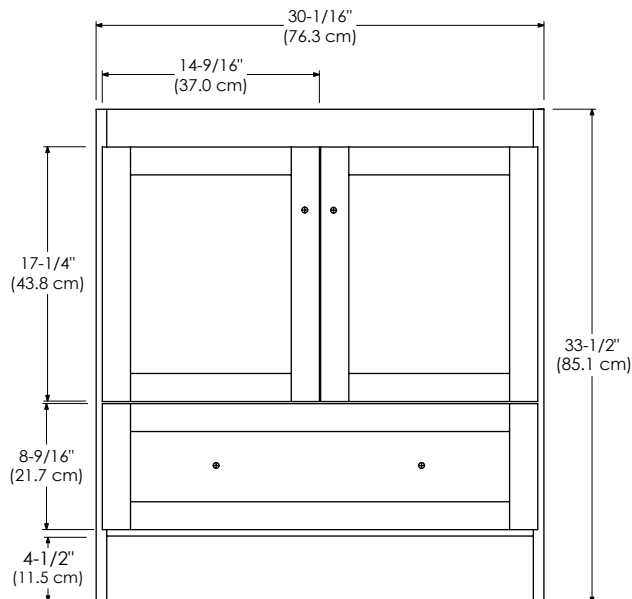
Available tops:

- CERAMIC SINKTOP
- STONE COUNTER
- TECHSTONE™ TOP
- WIDEAPPEAL™ TOP

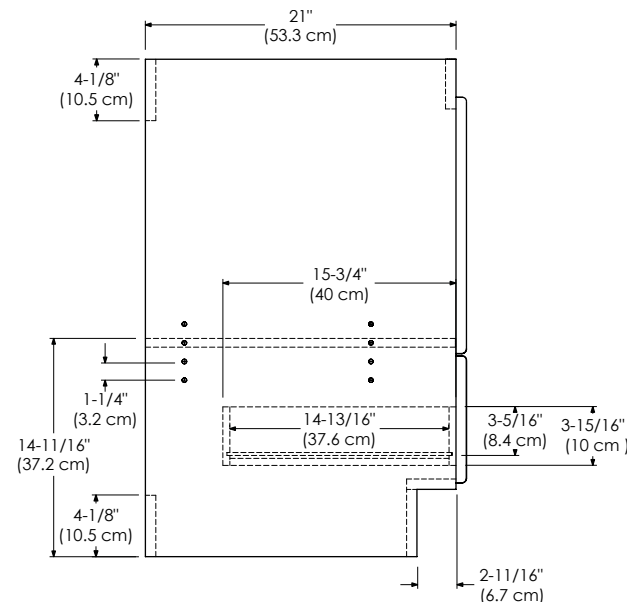
TOP VIEW



FRONT VIEW



SIDE VIEW



This spec sheet refers to the updated Shaker vanity. Please contact Ronbow customer service if you have questions.

MODEL: 081930-1L-FINISH 081930-1R-FINISH
081930-3L-FINISH 081930-3R-FINISH

SPECIFICATION SHEET

MODULAR COLLECTION

OLD VERSION

- Soft Close Wood or Frosted Glass doors
- Soft Close and Full Extension drawers with Dovetail Construction
- Under mount glides
- Matching Finish throughout the Interior
- Extend design with Optional 12", 15" & 18" Drawer Bank and 15" & 18" Linen Hutch
- Matching Mirror, Medicine Cabinet and Wall Cabinet

All Ronbow cabinets are made of solid hardwood or hardwood plywood and meet strict CARB Standards. No particle Board or Micro-Density Fiberboard (MDF) are used.

Available finishes:

DARK CHERRY H01

WHITE W01

Available fronts:

FROSTED GLASS DOORS ON LEFT

FROSTED GLASS DOORS ON RIGHT

WOOD DOORS ON LEFT

WOOD DOORS ON RIGHT

Available tops:

CERAMIC SINKTOP

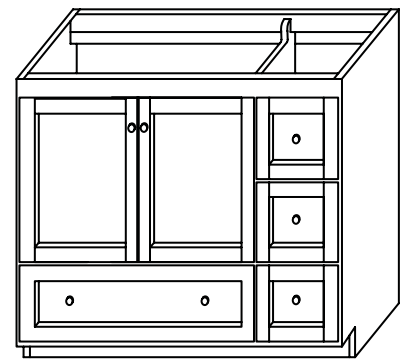
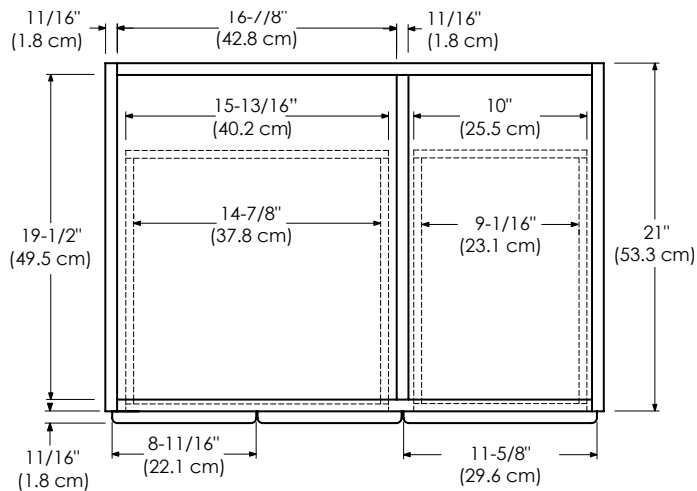
STONE COUNTER

TECHSTONE™ TOP

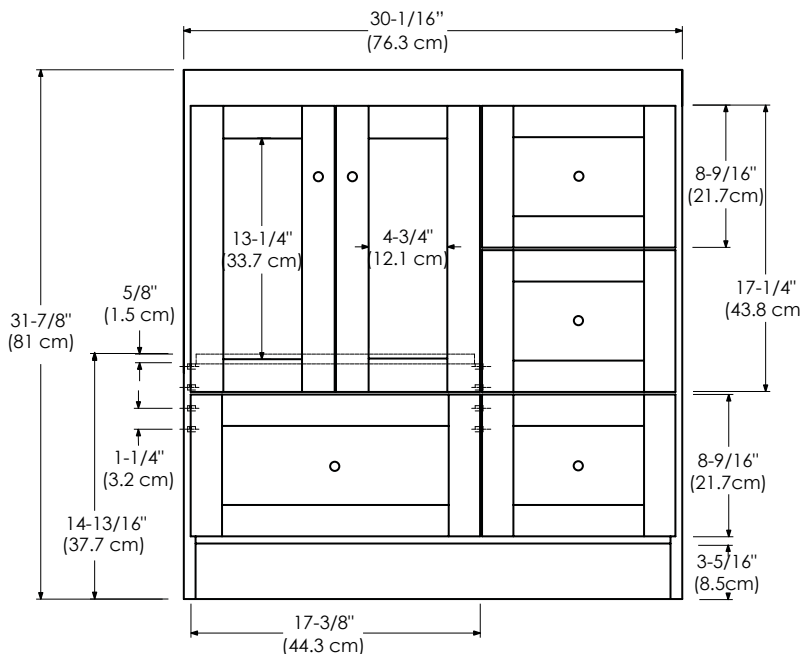
WIDEAPPEAL™ TOP

Shown as left (L)

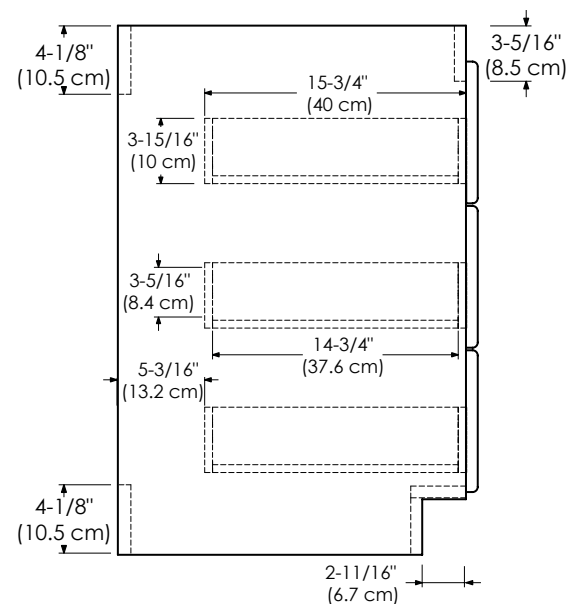
TOP VIEW



FRONT VIEW



SIDE VIEW



The shaker vanity will transition to new specs. Please contact Ronbow customer service for more information.

MODEL: 081930-1L-FINISH 081930-1R-FINISH
081930-3L-FINISH 081930-3R-FINISH

SPECIFICATION SHEET

MODULAR COLLECTION
NEW VERSION

- Soft Close Wood or Frosted Glass doors
- Soft Close and Full Extension drawers with Dovetail Construction
- Undermount glides
- Matching Finish throughout the Interior
- Extend design with Optional 12", 15" & 18" Drawer Bank and 15" & 18" Linen Hutch
- Matching Mirror, Medicine Cabinet and Wall Cabinet

All Ronbow cabinets are made of solid hardwood or hardwood plywood and meet strict CARB Standards. No particle Board or Micro-Density Fiberboard (MDF) are used.

Available finishes:

- DARK CHERRY H01
- WHITE W01

Available fronts:

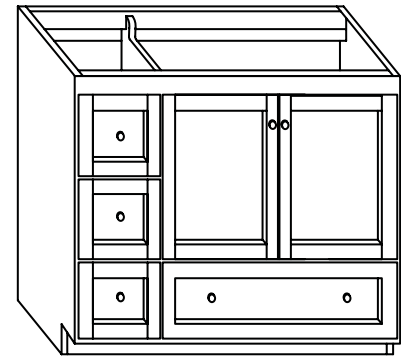
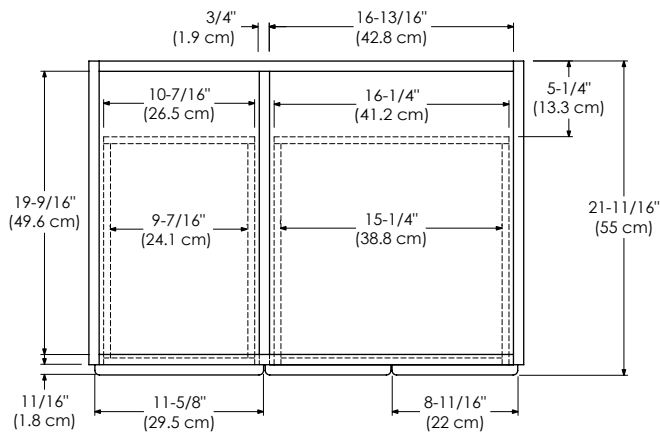
- FROSTED GLASS DOORS ON LEFT
- FROSTED GLASS DOORS ON RIGHT
- WOOD DOORS ON LEFT
- WOOD DOORS ON RIGHT

Available tops:

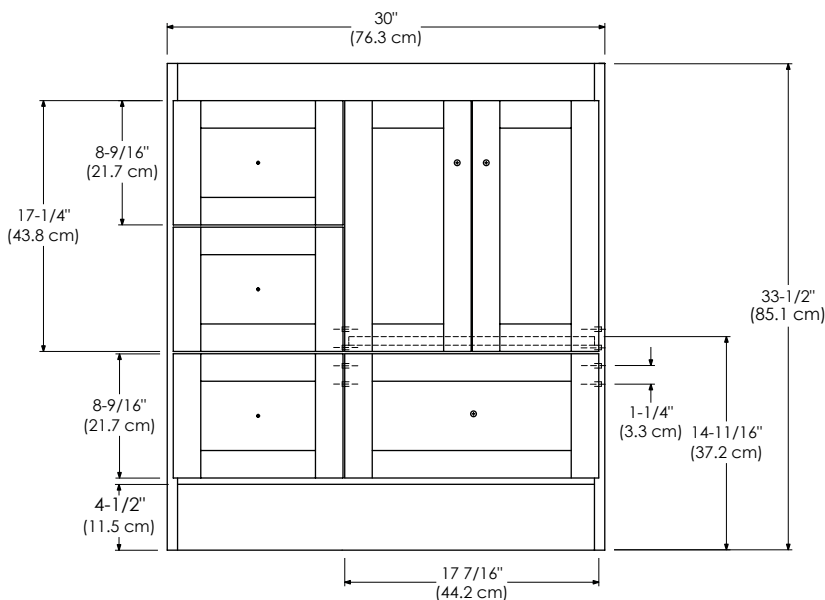
- CERAMIC SINKTOP
- STONE COUNTER
- TECHSTONE™ TOP
- WIDEAPPEAL™ TOP

NOTE: Shown as right (R)

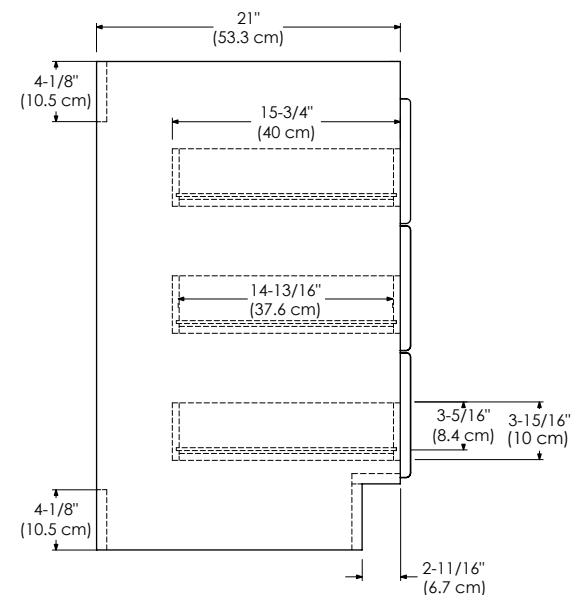
TOP VIEW



FRONT VIEW



SIDE VIEW



This spec sheet refers to the updated Shaker vanity. Please contact Ronbow customer service if you have questions.

MODEL: 081936-1L-FINISH
081936-1R-FINISH

081936-3L-FINISH
081936-3R-FINISH

SPECIFICATION SHEET

MODULAR COLLECTION

OLD VERSION

- Soft Close Wood or Frosted Glass doors
- Soft Close and Full Extension drawers with Dovetail Construction
- Under mount glides
- Matching Finish throughout the Interior
- Extend design with Optional 12", 15" & 18" Drawer Bank and 15" & 18" Linen Hutch
- Matching Mirror, Medicine Cabinet and Wall Cabinet

All Ronbow cabinets are made of solid hardwood or hardwood plywood and meet strict CARB Standards. No particle Board or Micro-Density Fiberboard (MDF) are used.

Available finishes:

DARK CHERRY H01

WHITE W01

Available fronts:

FROSTED GLASS DOORS ON LEFT

FROSTED GLASS DOORS ON RIGHT

WOOD DOORS ON LEFT

WOOD DOORS ON RIGHT

Available tops:

CERAMIC SINKTOP

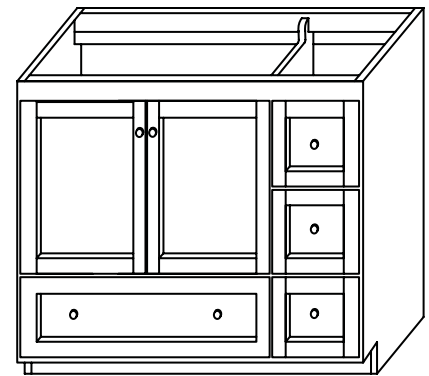
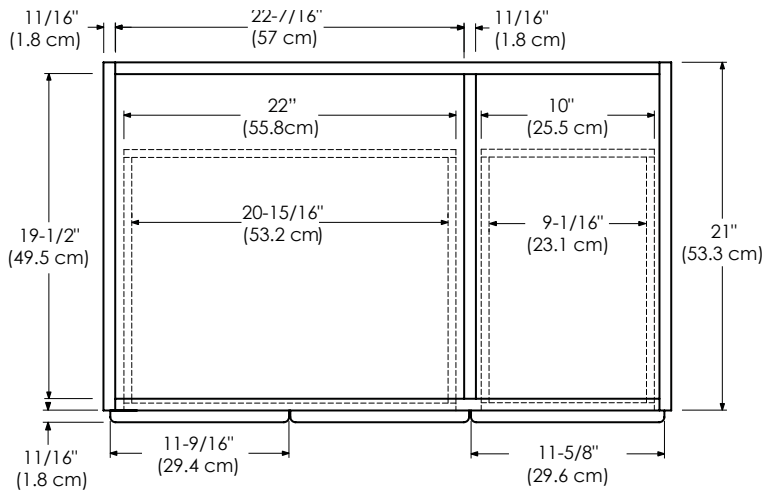
STONE COUNTER

TECHSTONE™ TOP

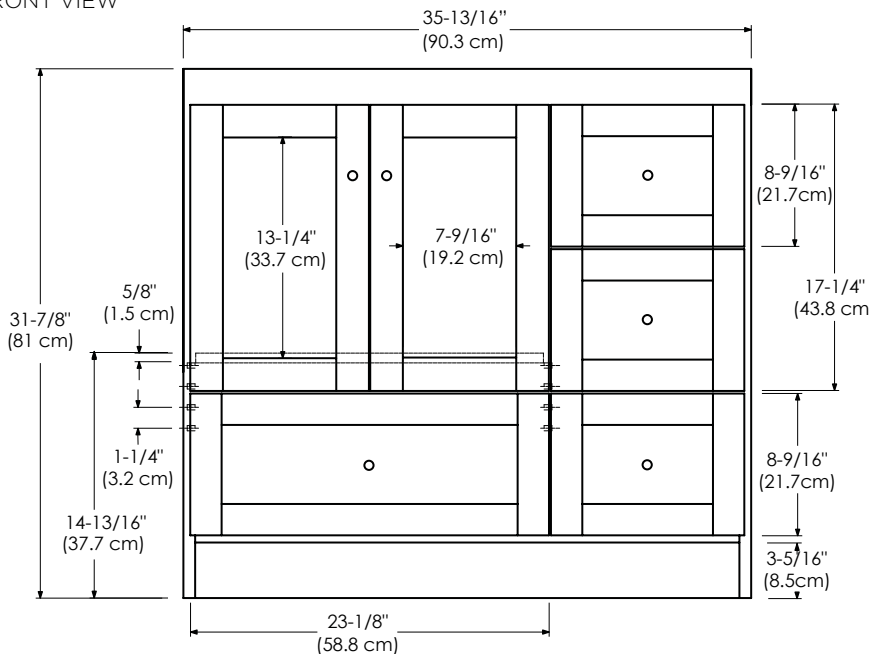
WIDEAPPEAL™ TOP

Shown as left (L)

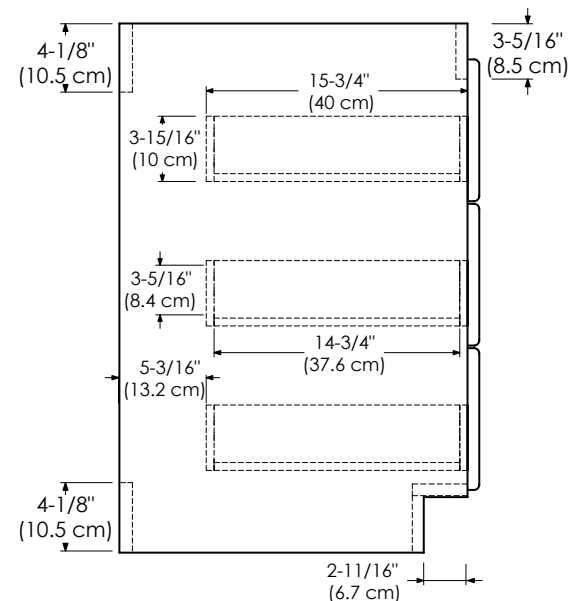
TOP VIEW



FRONT VIEW



SIDE VIEW



The shaker vanity will transition to new specs. Please contact Ronbow customer service for more information.

MODEL: 081936-1L-FINISH
081936-1R-FINISH

081936-3L-FINISH
081936-3R-FINISH

SPECIFICATION SHEET

MODULAR COLLECTION
NEW VERSION

- Soft Close Wood or Frosted Glass doors
- Soft Close and Full Extension drawers with Dovetail Construction
- Undermount glides
- Matching Finish throughout the Interior
- Extend design with Optional 12", 15" & 18" Drawer Bank and 15" & 18" Linen Hutch
- Matching Mirror, Medicine Cabinet and Wall Cabinet

All Ronbow cabinets are made of solid hardwood or hardwood plywood and meet strict CARB Standards. No particle Board or Micro-Density Fiberboard (MDF) are used.

Available finishes:

- DARK CHERRY H01
- WHITE W01

Available fronts:

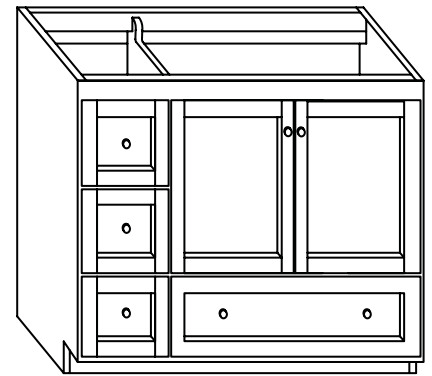
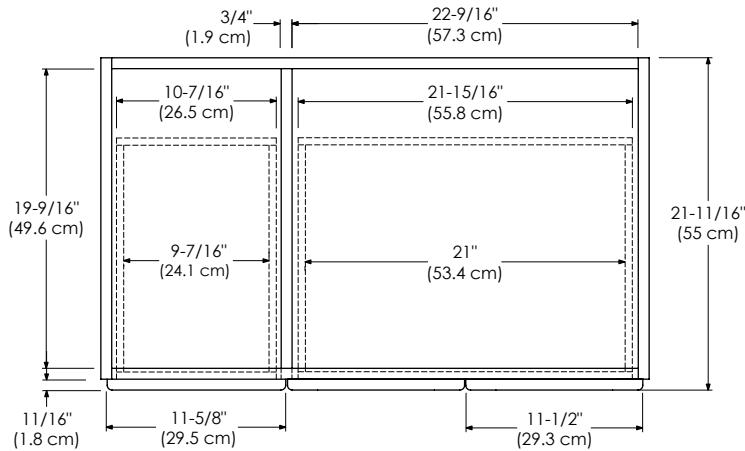
- FROSTED GLASS DOORS ON LEFT
- FROSTED GLASS DOORS ON RIGHT
- WOOD DOORS ON LEFT
- WOOD DOORS ON RIGHT

Available tops:

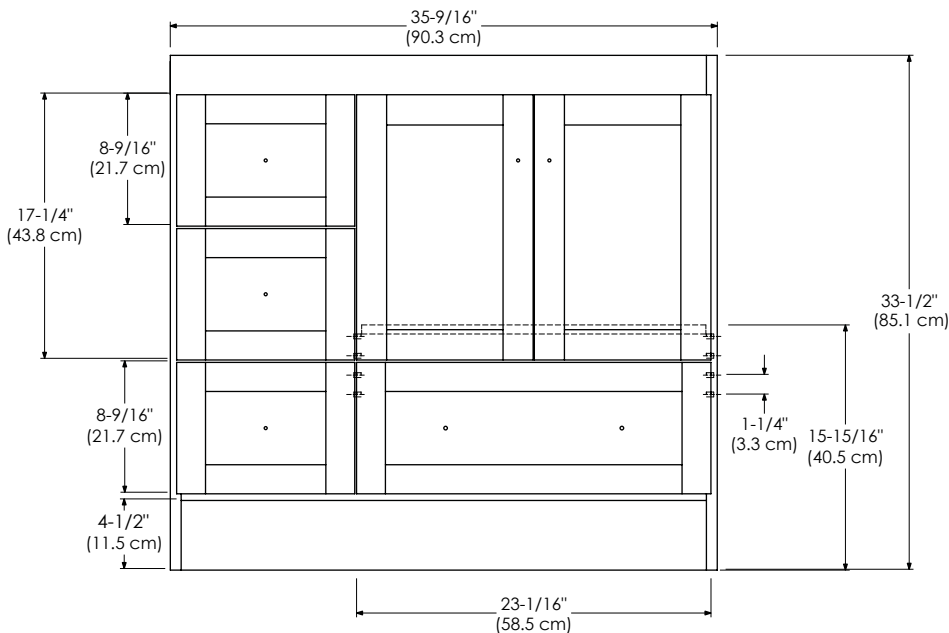
- CERAMIC SINKTOP
- STONE COUNTER
- TECHSTONE™ TOP
- WIDEAPPEAL™ TOP

NOTE: Shown as right (R)

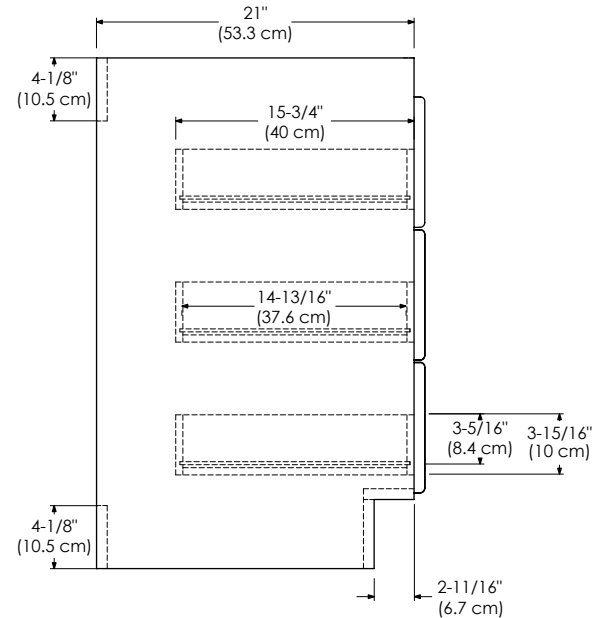
TOP VIEW



FRONT VIEW



SIDE VIEW



This spec sheet refers to the updated Shaker vanity. Please contact Ronbow customer service if you have questions.

MODEL: 081948-1-FINISH
081948-3-FINISH

SPECIFICATION SHEET

MODULAR COLLECTION
OLD VERSION

- Soft Close Wood or Frosted Glass doors
- Soft Close and Full Extension drawers with Dovetail construction
- Under mount glides
- Matching finish throughout the interior
- Extend design with Optional 12", 15" & 18" Drawer Bank and 15" & 18" Linen Hutch
- Optional Drawer Organizer
- Matching Mirror, Medicine Cabinet, Overjohn Cabinet and Wall Cabinet

All Ronbow cabinets are made of solid hardwood or hardwood plywood and meet strict CARB Standards. No particle Board or Micro-Density Fiberboard (MDF) are used.

Available finishes:

- DARK CHERRY H01
- WHITE W01

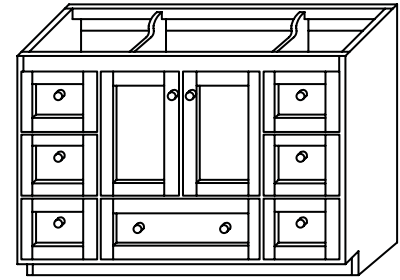
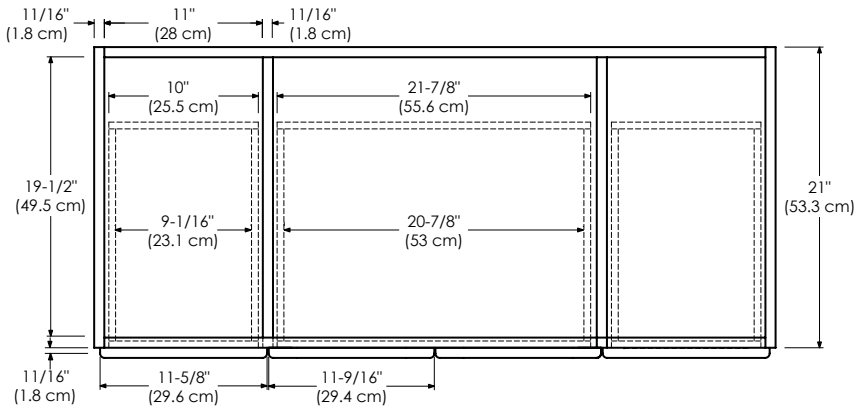
Available fronts:

- FROSTED GLASS DOORS
- WOOD DOORS

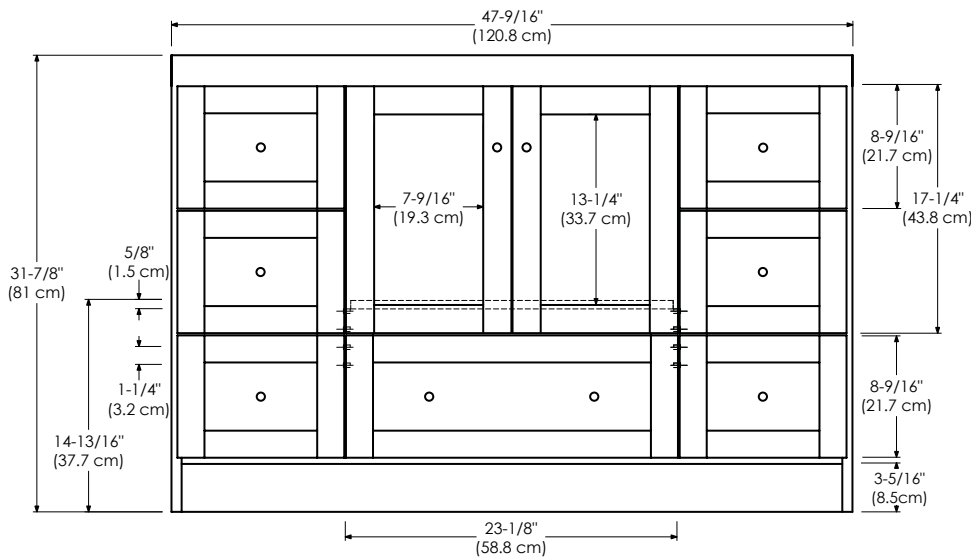
Available tops:

- CERAMIC SINKTOP
- STONE COUNTER
- TECHSTONE™ TOP
- WIDEAPPEAL™ TOP

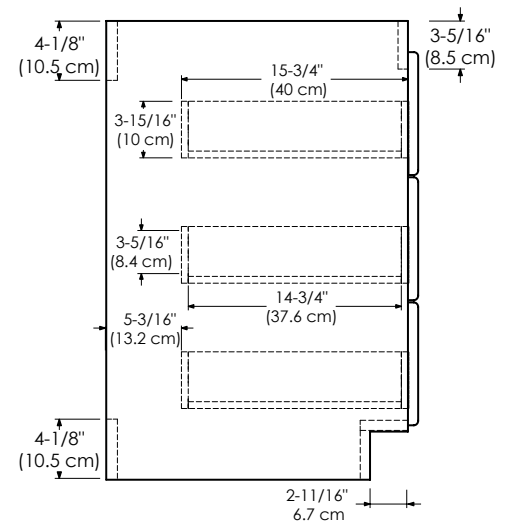
TOP VIEW



FRONT VIEW



SIDE VIEW



The shaker vanity will transition to new specs. Please contact Ronbow customer service for more information.

MODEL: 081948-1-FINISH
081948-3-FINISH

SPECIFICATION SHEET

MODULAR COLLECTION
NEW VERSION

- Soft Close Wood or Frosted Glass doors
- Soft Close and Full Extension drawers with Dovetail construction
- Undermount glides
- Matching finish throughout the interior
- Extend design with Optional 12", 15" & 18" Drawer Bank and 15" & 18" Linen Hutch
- Optional Drawer Organizer
- Matching Mirror, Medicine Cabinet, Overjohn Cabinet and Wall Cabinet

All Ronbow cabinets are made of solid hardwood or hardwood plywood and meet strict CARB Standards. No particle Board or Micro-Density Fiberboard (MDF) are used.

Available finishes:

DARK CHERRY H01

WHITE W01

Available fronts:

FROSTED GLASS DOORS

WOOD DOORS

Available tops:

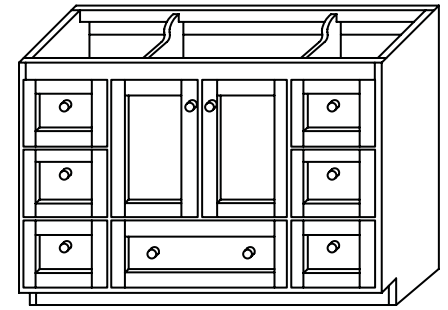
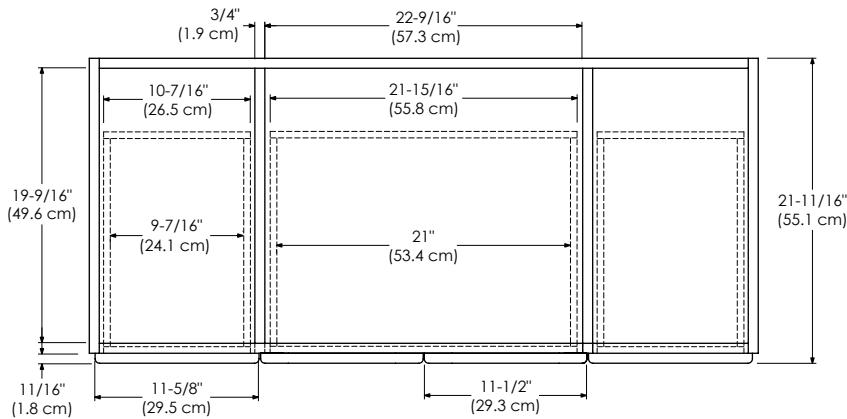
CERAMIC SINKTOP

STONE COUNTER

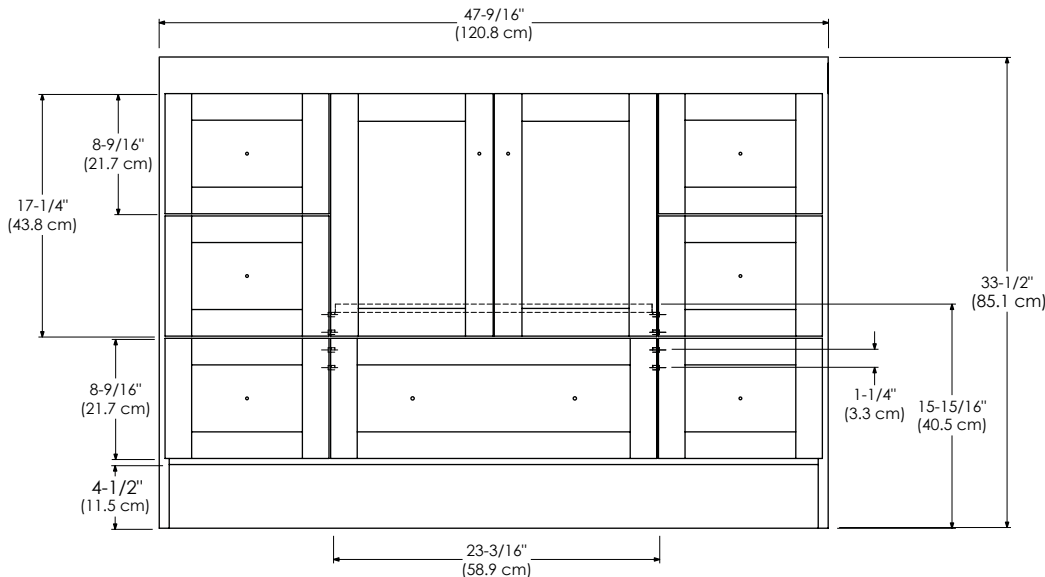
TECHSTONE™ TOP

WIDEAPPEAL™ TOP

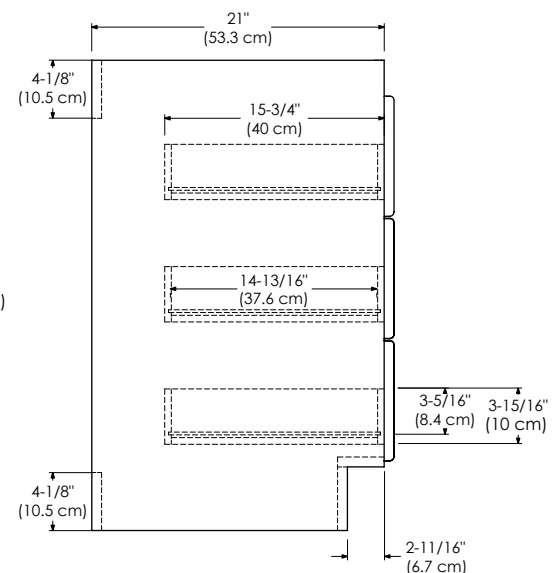
TOP VIEW



FRONT VIEW



SIDE VIEW



This spec sheet refers to the updated Shaker vanity. Please contact Ronbow customer service if you have questions.