

Rack It Up!

Bookshelf Pot Rack

With Wood Shelf

With Grid

Model MPE 15



IMPORTANT!

Enclume Design Products is committed to the highest quality in the manufacture of this **RACK IT UP!** pot rack. The components of each rack are carefully inspected before shipment.

However, in case there is a problem, PLEASE LET US HELP YOU FIRST. Do not return the item to where you purchased it. First, call us and explain what is missing or wrong. We will do our best to help with any question or problem you have—and as fast as possible.

Call us TOLL FREE 1 (877) 362-5863 and ask for customer service. Thank you!

TOOLS NEEDED - We provide all tools required for assembly: hex wrench, fastener hardware (nuts, bolts). Note under attaching instructions on page 3 of this booklet, the list of tools you will need to provide.

RACK IT UP! 5-Year Limited Warranty

This product is warranted to be free of material defects for a period of five years from the date of purchase. Your exclusive remedy is the repair or replacement of the defective product, and shall be subject to the following conditions: (1) You send a notice of any defect to Enclume within the warranty period, and (2) You return the defective product, to Enclume Design Products, Inc., 24 Colwell Street, Port Hadlock, WA 98339, *postage prepaid*, within 20 days following receiving a return authorization number. (A return authorization number may be obtained from Enclume by calling the number at the bottom of this booklet.) There are no other warranties expressed or implied. There are no warranties of merchantability or fitness for a particular purpose. Enclume specifically disclaims any and all incidental or consequential damages arising out of purchase, installation or use of this product.

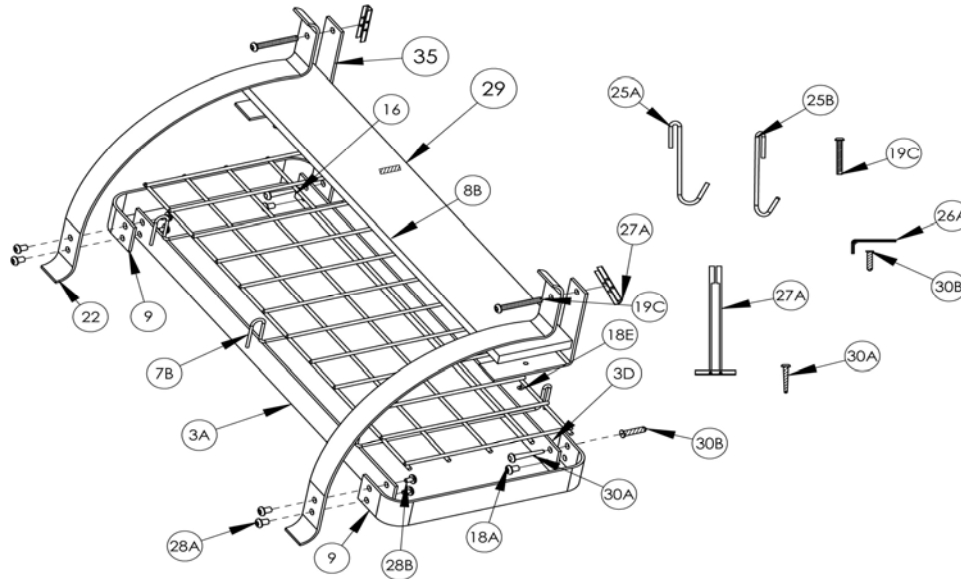


RACK IT UP! by Enclume™ is a trademark of Enclume Design Products, Inc.
All rights reserved. Made in China. Packed in the U.S.A. ©2008 Enclume Design Products, Inc.

How To Assemble Your Pot Rack

TIP! FIRST, REMOVE PAINT FROM BOLT HOLES. Because the powder coat finish applied at the factory also adheres to the inside of bolt holes, pushing a bolt through it during assembly may be difficult. Therefore, before connecting parts, we recommend that you check to see that bolts slip easily through all holes. If they do not, carefully clear paint from holes in side bars, ends and arms using a small knife.

SECOND, be certain that barrel nuts and bolts screw together easily **BEFORE** beginning assembly. Residue from the black finish may cause some bolts to stick a bit, therefore use the two hex wrenches enclosed (one for each end of the barrel) and screw them together to clear away extra paint.



Item No.	Description	Qty	Item No.	Description	Qty.
3A	Side bar w/4 through holes	1	28A	Barrel screw	5
3D	Back bar w 2 through & 2 tap holes	1	28B	Barrel screw	5
7B	Grid bracket for bookshelf	3	29	Wood shelf	1
8B	Grid 8" x 22" x 2" x 2"	1	35	(L) bracket	2
9	Bookshelf end piece	2		Installation Hardware	
18A	1/4" buttonhead 1/4 x 20 /1/4	2	19C	Buttonhead screw 1/4 x 20 x 2"	2
18E	#6 Wood screw 1/2"	2	26A	5/32 hex wrench	2
22	Bookshelf curved arm (long)	2	30A	Wall screw	2
25A	Pot hook straight	4	30B	Wall sleeve	2
25B	Pot hook angled	4	27A	1/4" Toggle	2

STEP 1: LAYOUT PARTS FOR BOOKSHELF

On a table lay out all parts as shown in the exploded view above.

STEP 2: CONNECT MAIN BOOKSHELF BODY PARTS

TIP! It is easiest to attach the pot rack parts when you insert the barrel nut (28B) from the **INSIDE** of the pot rack body, then screw the barrel bolt (28A) into 28B from the **OUTSIDE**.

Temporarily connect two Bookshelf ends (9) and the side bar(3A) by inserting a barrel nut and bolt (28A, 28B) through the top hole at each of four corners. This is the front of the rack. This will cause body of pot rack to stand on edge. Be certain side bar (3A) is on the **INSIDE** when connected.

IMPORTANT: At this time you will **NOT** connect back bar (3D) to the body. It will be attached when the pot rack is installed on the wall. However, at this time screw two button head bolts (18A) into lower screw holes simply to cover them. These are decorative only and will not be used as anchors.

STEP 3: ATTACH FIRST ARM

TIP! It is easiest to attach arms when the corner of the pot rack to which you are connecting the arm hangs slightly past the edge of the table. That provides clearance for the flared end that extends below the body of the rack. Now remove the barrel bolt (28A) from one of the corners, keeping barrel nut (28B) in position. Place a curve arm (22) (2-hole end) on the OUTSIDE of the body. Align the three pieces: (side bar 3A) on inside, bookshelf end piece (9) in middle, arm (22) on outside, and reinsert the barrel bolt (28A) through the upper hole from the OUTSIDE. Repeat for lower hole. Do not tighten barrel bolts firmly until all bolts are in place.

STEP 4: ATTACH OTHER ARM

Repeat STEP THREE for remaining arm.

STEP 5: LEVEL POT RACK ON TABLE

Place assembled rack squarely on table and adjust all parts to be certain they are level and straight. Then tighten all bolts firmly. Remember ~ the back bar (3D) is not attached until the rack is installed on the wall.

STEP 6 ASSEMBLE ACCESSORY SHELF

Note the small holes located in the center of the flat section of each shelf bracket. Two set screws (18E) will be driven through them to secure the Wood shelf to the brackets.

Center the Wood shelf on top of the brackets (now fixed in position) then with a pencil mark the two set screw points on the under side of the bracket. Pre-drill the marks (or tap a starter hole with a hammer and a small nail) then drive set screws (18E) into Wood to secure shelf.

STEP 7: MEASURE FOR WALL

After the shelf is assembled, and after the bookshelf rack is squared and tightened, the distance from the center of the holes at top of the arms to the center of upper holes in back bar should be 9 3/4". The width between upper holes is 20-3/4". (see diagram A at bottom of Toggler Instructions on page 4). Use these measurements when determining location of rack on the wall in the installation section below.

NOTE: Grid and grid brackets will be added AFTER the rack and accessory shelf are attached to the wall.

How to Attach Your Pot Rack to your Wall

TOOLS NEEDED FOR INSTALLATION:

Provided: Installation hardware (anchors, bolts, wall screws and red sleeves)

You will need: level, tape measure, pencil, electric drill and 1/2" and 1/8" drill bits, hammer and nail.

STEP 1: LOCATION

Decide where you want to place your pot rack. Consider the height of the wall where the pot rack will hang, keeping in mind how far below the rack your pots and utensils will hang, plus how high above your head you can still easily reach cookbooks, etc. stored on the grid.

On the wall, mark the four points 20-3/4" long by 9-3/4" high where the top of rack arms and back bar will attach. Then tap a small nail through each mark to be certain a joist is not in the way. NOTE: because your pot rack includes toggler anchors, you DO NOT need to locate and bolt to studs. See more information under STEP 2 below.

STEP 2: INSTALL TOGGLER DRYWALL ANCHORS

RACK IT UP!'s drywall togglers eliminate the need to bolt your pot rack to a stud. The steel anchors are very strong and when installed in drywall each drywall anchor holds about 200 lbs. Two anchors hold about 400 lbs. Install the two Toggler drywall anchors (27A) where the two holes in the tops of the two bookshelf arms are located. Carefully follow Steps 1 through 4 of the Toggler Drywall Anchor instructions found on the back of this booklet. Do not mount the bookshelf rack at this time.

INSTALL IN WOOD?

If you need to install one or both sides of your rack in wood, use as many of the four wall screws (30A) included, but without a red sleeve. See back page of this booklet under Step 1.

STEP 3: INSTALL LOWER RED SLEEVE ANCHORS

Follow steps 5) and 6) of the drywall anchor instructions on the back of this booklet. The bookshelf rack is not attached to your wall, but insecurely. Please hold the rack in place.

STEP 4: COMPLETE RACK ATTACHMENT AT TOP OF ARMS

Holding the Accessory Shelf between the bookshelf arms and the wall, line up the upper shelf bracket (35) holes with the upper holes in the bookshelf arms (22). Attach the bookshelf arms and accessory shelf brackets to your wall by carefully following Step 7) of the drywall anchor instructions on the back of this booklet.

STEP 5: Grid and Brackets

Place the narrow end of the three grid brackets (7B) to the back of the bookshelf body and place the grid over the brackets.

CLEANING:

Your pot rack has a durable powder coat finish designed to provide years of protection. Cleaning is done easily using soap and a damp cloth. Dry thoroughly after cleaning.

Installation of Drywall Anchors

Bookshelf Rack

TOGGLER® brand SNAPTOGGLE® Toggle Bolt Installation Instructions. DO NOT attempt to test the toggle as you will be unable to use them again. Need additional toggles? You may purchase them at [Lowe's](http://Lowe.com) or find a local store on toggler.com.

IMPORTANT! If your house is older (maybe a Victorian?) with lath board plaster ceilings and walls, DO NOT use the new drywall anchor system. Old lath board plaster walls are not strong enough to hold drywall anchors. In this case, you must attach the wall rack to wood studs with wood lag screws (not included with your rack).

See diagram at bottom of page

1) Using an electric drill, drill a 1/2" hole at each of your **UPPER** points. Hold metal channel flat alongside plastic straps and slide channel through hole. Minimum clearance behind wall should be 1 7/8".

NOTE: If a wood stud happens to be located at one of those points, Use a 3/16" x 1 1/2" wood screw (provided) and screw it into the stud. (Pre-drill a 1/8" hole in the stud so the screws are easier to screw into the hole).

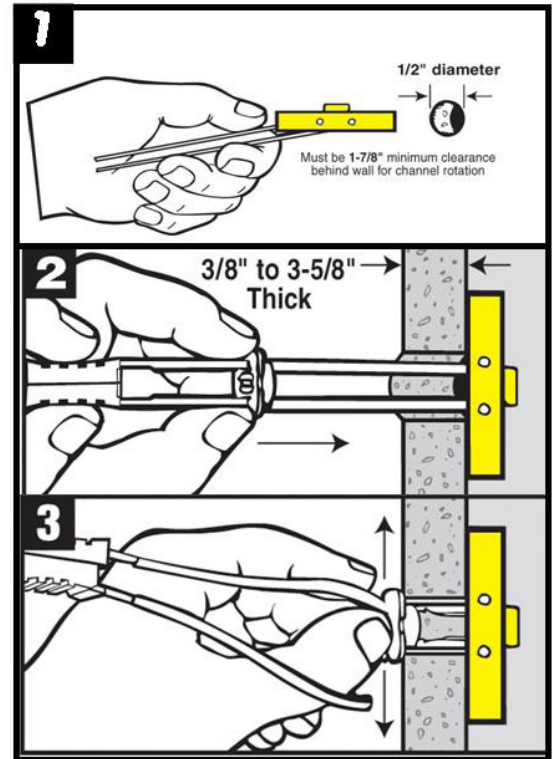
2) Firmly push plastic cap up along guide straps with other hand. Press cap inside the hole, so flange is flush with drywall surface.

3) Bend straps at wall by pushing side to side, snapping off straps level with flange of cap.

4) Repeat for other anchor point at top of rack arm.

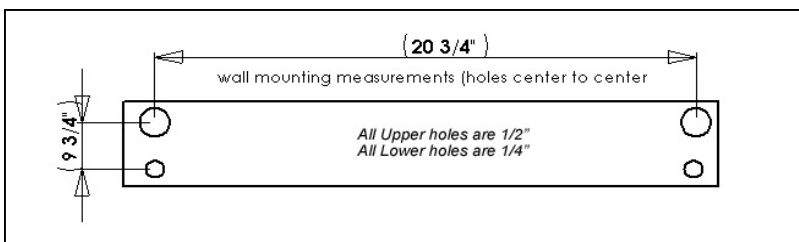
5) Install the **LOWER** red sleeve anchors. Using an electric drill with 5/16" bit, drill a hole at each of the **LOWER** marks. With your hammer, gently tap a red wall screw sleeve (30B) into each hole until it is flush with the drywall surface.

6) At this point make sure you have already installed 1/4" buttonheads (18A) in the lower holes of the back bar. These are decorative only. Place the back bar (3D) in position INSIDE end piece (a 1/8" gap will remain between the wall and bar), align holes over hole in wall, then drive a wall screw (30A) through back bar and bookshelf end piece into a red wall screw sleeve (red). Tighten bolt. Repeat at other end of back bar.



7) Now with the rack and accessory shelf frame positioned on the wall ~ line up hole(s) at TOP of arms and on the top of the accessory shelf brackets, with UPPER hole(s) in wall. Screw button head bolt (19C) through each arm and the tops of the shelf brackets and into the wall anchors. Tighten bolts snugly.

That's It! You are now ready to hang your pots & utensils!



Toggler® Independent Lab Results
(Anchor load before failure per attachment point)

TENSILE (ceiling)
1/2" drywall 275 lbs.
5/8" drywall 576 lbs.

SHEAR (wall)
1/2" drywall 292 lbs.
5/8" drywall 406 lbs.