



Customer services: info@elegantbrands.co.uk

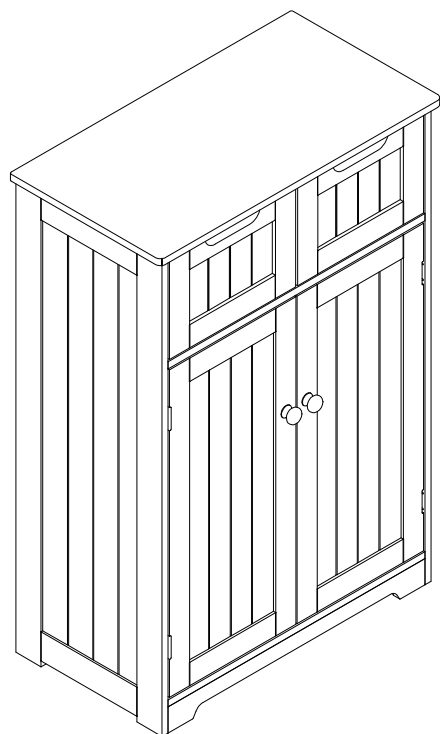
0800 156 0885

- In the unlikely event of missing or damaged parts please contact us and we will send replacement parts by express delivery.
- Read all instructions before assembling
- Do not over tighten screws

ASSEMBLY INSTRUCTIONS

EH40215

Kensa Double

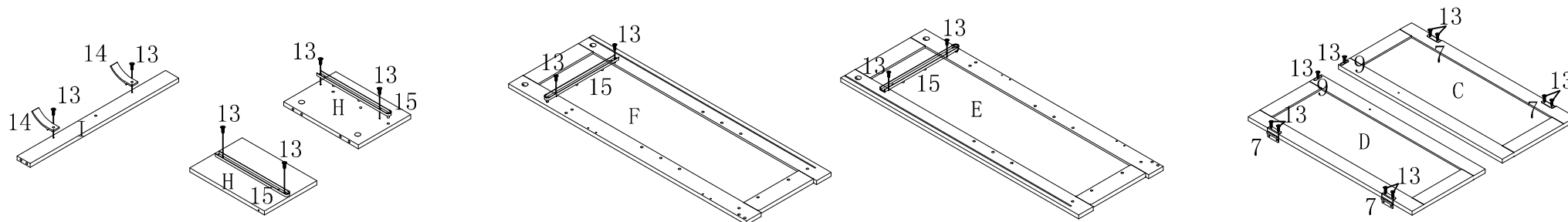


Hardware:

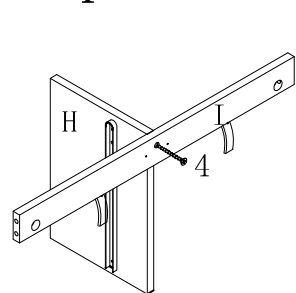
Letter	Draw	Number	Letter	Draw	Number
1	6x30mm	16pcs	9		2pcs
2	6x35mm	12pcs	10		2pcs
3		12pcs	11		1pcs
4		1pcs	12		4pcs
5		2pcs	13		28pcs
6		2pcs	14		2pcs
7		4pcs	15		4pcs
8	3x20mm	16pcs			

Components:

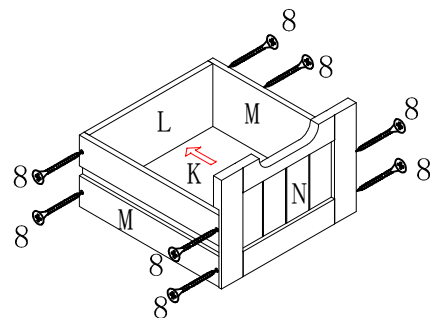
Letter	Draw	Number	Letter	Draw	Number
A		1pcs	I		1pcs
B		1pcs	J		1pcs
C		1pcs	K		2pcs
D		1pcs	L		2pcs
E		1pcs	M		4pcs
F		1pcs	N		1pcs
G		1pcs	O		1pcs
H		1pcs	P		1pcs



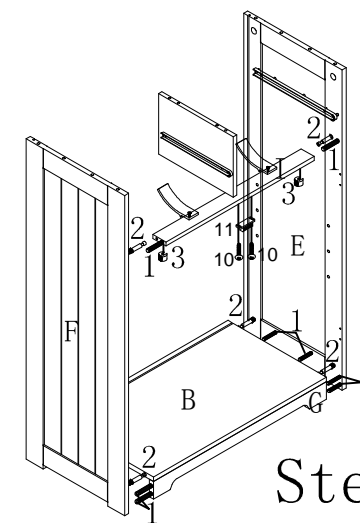
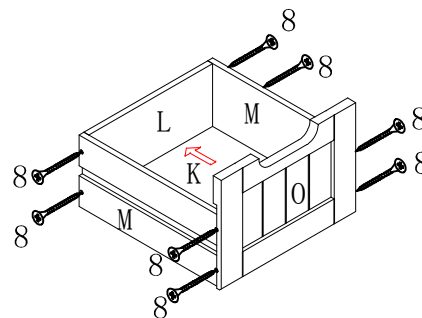
Step1



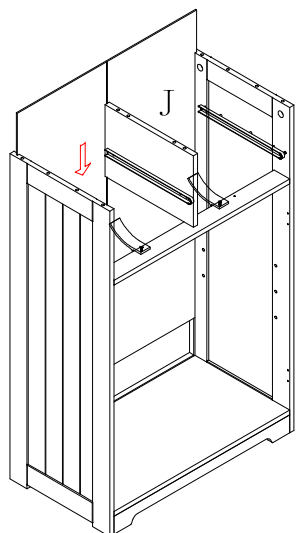
Step2



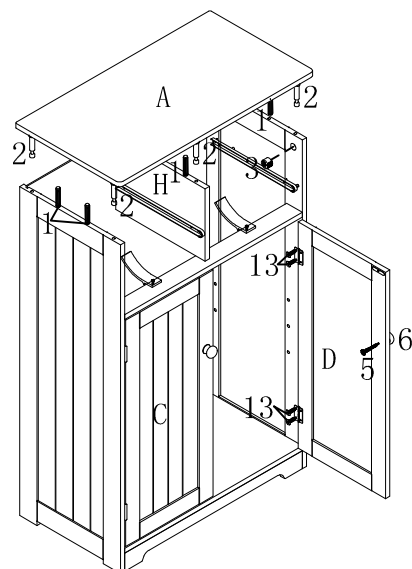
Step3



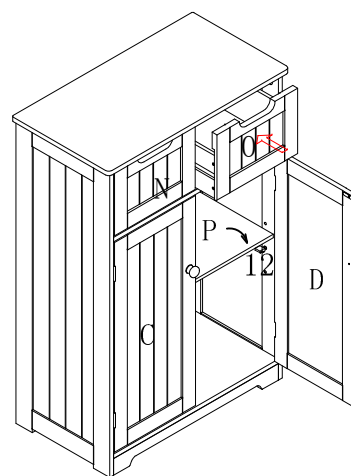
Step4



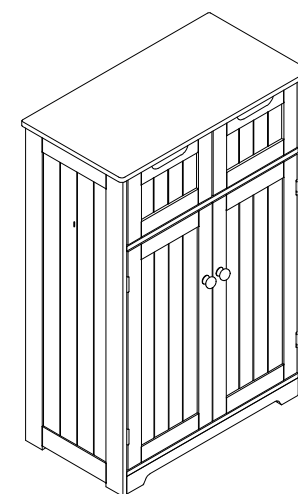
Step5



Step6



Step7



Step8